

UC44PC3S421

Part Number

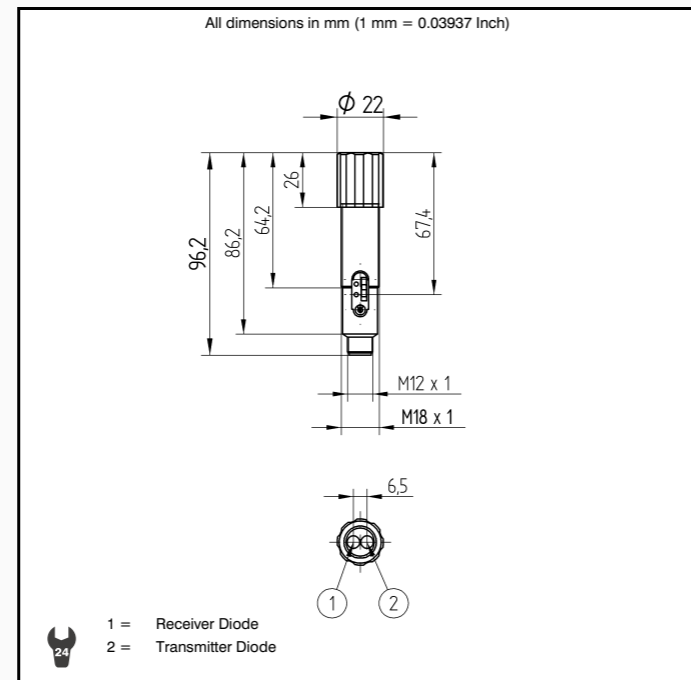
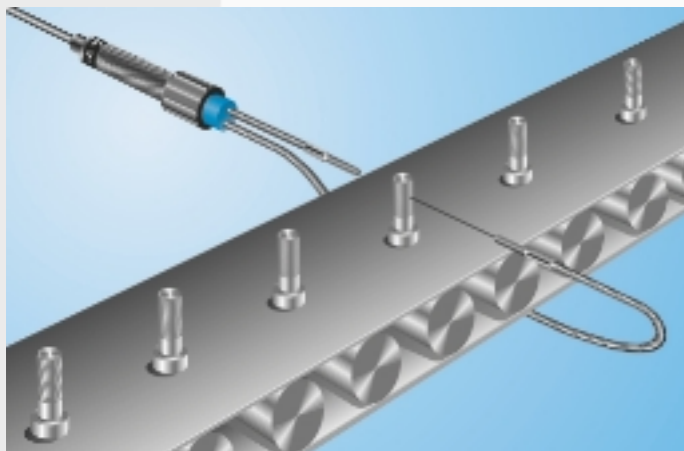


Technical Data

Optical Data	
Range	400 mm
Switching Hysteresis	< 15 %
Light Source	Infrared Light
Service Life (T = +25°C)	100000 h
max. Ambient Light	10000 Lux
Opening Angle	12 °
Electrical Data	
Supply Voltage	10...30 V DC
Current Consumption (U _b = 24V)	< 40 mA
Switching Frequency	1 kHz
Response Time	500 μs
Temperature Drift	< 10 %
Temperature Range	-25...60 °C
Switching Output Voltage Drop	< 2.5 V
PNP Switching Output/Switching Current	200 mA
Residual Current Switching Output	< 50 μA
Short Circuit Protection	yes
Reverse Polarity Protection	yes
Overload Protection	yes
Mechanical Data	
Housing	BrasNicPlated
Full Encapsulation	yes
Protection Mode	IP 65
Connection	M 12x1

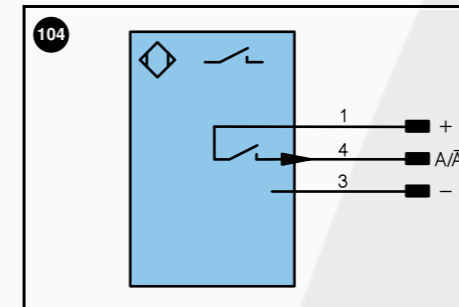
- Adaptable for Fiber Optic Cabels: Reflex and Through Beam Mode
- Adjustable Detection Range
- Control Panel on the side

The transmitter and the receiver are integrated into a single housing. The sensor evaluates transmitted light reflected back from the object. The output is switched as soon as an object passes the selected range. Bright objects reflect more light than dark objects, and can thus be recognized from greater distances. These sensors are equipped for use with glass fiber optic cabel. They can be used with or without glass fiber optic cabel.



Specifications are subject to change without notice
51/02

Part Number	Plug Version
UC44PC3S421	
PNP NO/NC switchable	●
Connection Diagram No.	104
Control Panel No.	C 2
Suitable Plug No.	1
Suitable Fiber Optic Cabel Adapter	2

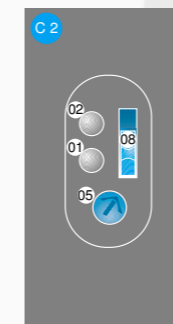


Legend		Wire colors according to DIN IEC 757
+	Power supply "+"	BK black
-	Power supply "0V"	BN brown
~	Power supply (AC Voltage)	RD red
A	Switching output (1,2,3...)/ NO	OG orange
A	Switching output (1,2,3...)/ NC	YE yellow
V	Contamination / Error output (NO)	GN green
V	Contamination / Error output (NC)	BU blue
E	Input (analog or digital)	VT violet
T	Teach input	GY grey
Z	Time delay (activation)	WH white
S	Shielding	PK pink
RxD	RS-232 receive path	GNYE green yellow
TxD	RS-232 send path	
U	Test input	
W	Trigger input	
O	Analog output (1,2,3,...)	
O-	Ground for the analog output	
BZ	Block discharge	
Aw	Valve output	
a	Valve control output "+"	
b	Valve control output "0V"	
SY	Synchronization	
E+	Receiver-Line	
S+	Emitter-Line	
⊕	Grounding	

Accessories

- Mounting Clamp BSM18B
- Mounting Bracket W18
- Glass Fiber Optic Cable
- Glass Disc GS1

Ctrl. Panel



- 01 = Switching Status Indicator
- 02 = Contamination Warning
- 05 = Switching Distance Adjuster
- 08 = NO/NC Switch