

UF55VC/TCH

Part Number

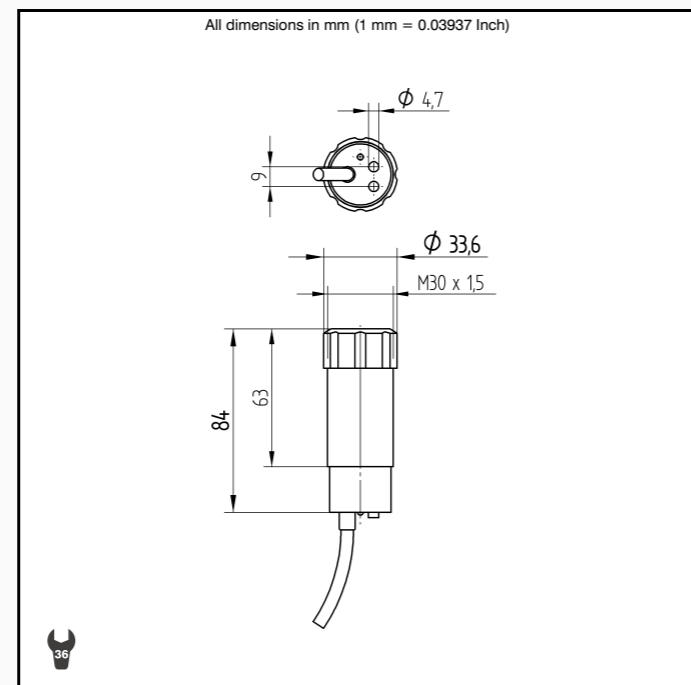


Technical Data

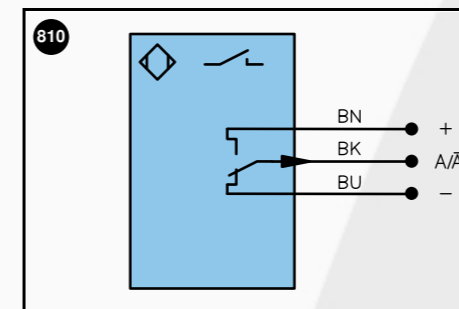
Optical Data	
Range	500 mm
Switching Hysteresis	< 15 %
Light Source	Infrared Light
Service Life (T = +25°C)	100000 h
max. Ambient Light	10000 Lux
Opening Angle	12°
Electrical Data	
Supply Voltage	10...30 V DC
Current Consumption (U _b = 24V)	< 40 mA
Switching Frequency	20 kHz
Response Time	25 μs
Temperature Drift	< 10 %
Temperature Range	-10...60 °C
Switching Output Voltage Drop	< 2.5 V
PNP Switching Output/Switching Current	200 mA
NPN Switching Output/Switching Current	200 mA
Residual Current Switching Output	< 50 μA
Short Circuit Protection	yes
Reverse Polarity Protection	yes
Overload Protection	yes
Mechanical Data	
Housing	BrasNicPlated
Full Encapsulation	yes
Protection Mode	IP 65
Connection	Prewired
Cabel Length	2 m

- **Adaptable for Glass Fiber Optic Cabel: Reflex and Through Beam Mode**
- **Adjustable Time Delay**
- **Can be set for NC or NO operation**
- **Switching Frequency: 20 kHz**

The transmitter and the receiver are integrated into a single housing. The sensor evaluates transmitted light reflected back from the object. The output is switched as soon as an object passes the selected range. Bright objects reflect more light than dark objects, and can thus be recognized from greater distances. These sensors are equipped for use with glass fiber optic cabel. They can be used with or without glass fiber optic cabel.



Prewired Version	
Part Number	UF55VC/TCH
PNP NO/NPN NC switchable	●
Connection Diagram No.	610
Control Panel No.	F 3 Fo2
Suitable Fiber Optic Cabel Adapter	1

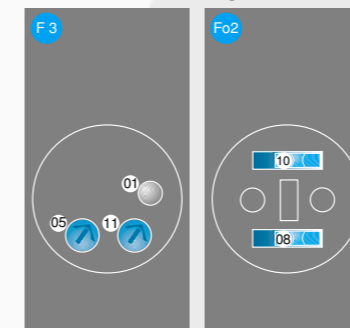


Legend				
+	Power supply "+"	U	Test input	Wire colors according to DIN IEC 757
-	Power supply "0V"	W	Trigger input	BK black
-	Power supply (AC Voltage)	o	Analog output (1,2,3,...)	BN brown
A	Switching output (1,2,3...)/ NO	O-	Ground for the analog output	RD red
Ā	Switching output (1,2,3...)/ NC	BZ	Block discharge	OG orange
V	Contamination / Error output (NO)	Aw	Valve output	YE yellow
∇	Contamination / Error output (NC)	a	Valve control output "+"	GN green
E	Input (analog or digital)	b	Valve control output "0V"	BU blue
T	Teach input	SY	Synchronization	VT violet
Z	Time delay (activation)	E+	Receiver-Line	GY grey
S	Shielding	S+	Emitter-Line	WH white
RxD	RS-232 receive path	⊕	Grounding	PK pink
TxD	RS-232 send path			GNYE green yellow

Accessories

- Mounting Bracket W30
- Glass Fiber Optic Cable
- Glass Disc GS2

Ctrl.Panel Optic



- 01 = Switching Status Indicator
- 05 = Switching Distance Adjuster
- 08 = NO/NC Switch
- 10 = ON-Delay/ OFF-Delay Switch
- 11 = ON-Delay/ OFF-Delay Switch