

RO88PD3

Part Number

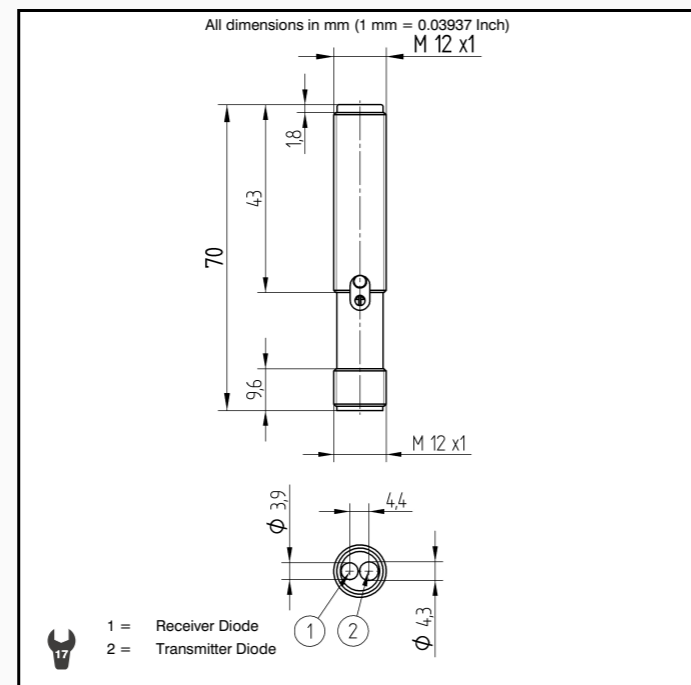


Technical Data

Optical Data	
Range	2500 mm
Reference Reflector	RQ100BA
Switching Hysteresis	< 15 %
Light Source	Red Light
Polarization Filter	yes
Service Life (T = +25°C)	100000 h
max. Ambient Light	10000 Lux
Opening Angle	8 °
Electrical Data	
Supply Voltage	10...30 V DC
Current Consumption (U _b = 24V)	< 40 mA
Switching Frequency	500 Hz
Response Time	1 ms
Temperature Drift	< 10 %
Temperature Range	-10...60 °C
Switching Output Voltage Drop	< 2.5 V
PNP Switching Output/Switching Current	200 mA
Residual Current Switching Output	< 50 µA
Short Circuit Protection	yes
Reverse Polarity Protection	yes
Overload Protection	yes
Mechanical Data	
Housing	BrasNicPlated
Full Encapsulation	yes
Protection Mode	IP 65
Connection	M 12x1

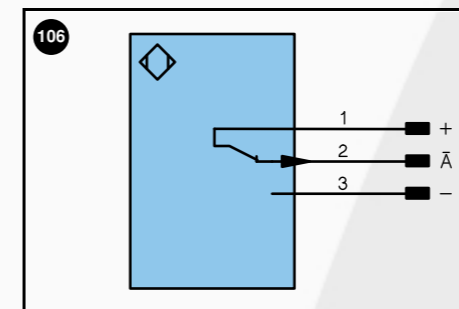
- Compact Housing
- Red Light

A reflector must be used in combination with these sensors. They can be installed in all kinds of industrial environments thanks to ample functional reserve. Even reflective objects can be reliably recognized through the use of polarized light.



Specifications are subject to change without notice
38/03

Plug Version	
Part Number	RO88PD3
PNP NC	●
Connection Diagram No.	106
Control Panel No.	O 2
Suitable Plug No.	1



Legend				
+	Power supply "+"	U	Test input	Wire colors according to DIN IEC 757
-	Power supply "0V"	W	Trigger input	BK black
-	Power supply (AC Voltage)	O	Analog output (1,2,3,...)	BN brown
A	Switching output (1,2,3...)/ NO	O-	Ground for the analog output	RD red
A̅	Switching output (1,2,3...)/ NC	BZ	Block discharge	OG orange
V	Contamination / Error output (NO)	Aw	Valve output	YE yellow
V̅	Contamination / Error output (NC)	a	Valve control output "+"	GN green
E	Input (analog or digital)	b	Valve control output "0V"	BU blue
T	Teach input	SY	Synchronization	VT violet
Z	Time delay (activation)	E+	Receiver-Line	GY grey
S	Shielding	S+	Emitter-Line	WH white
RxD	RS-232 receive path	⊕	Grounding	PK pink
TxD	RS-232 send path			GNYE green yellow

Accessories

- Mounting Clamp BSM12B
- Mounting Bracket W12
- Reflector, Reflector Tape
- Additional Lens LA9

Ctrl. Panel



- 05 = Switching Distance Adjuster
- 30 = Switching Status/Contamination Warning