

XO89PA3

Part Number

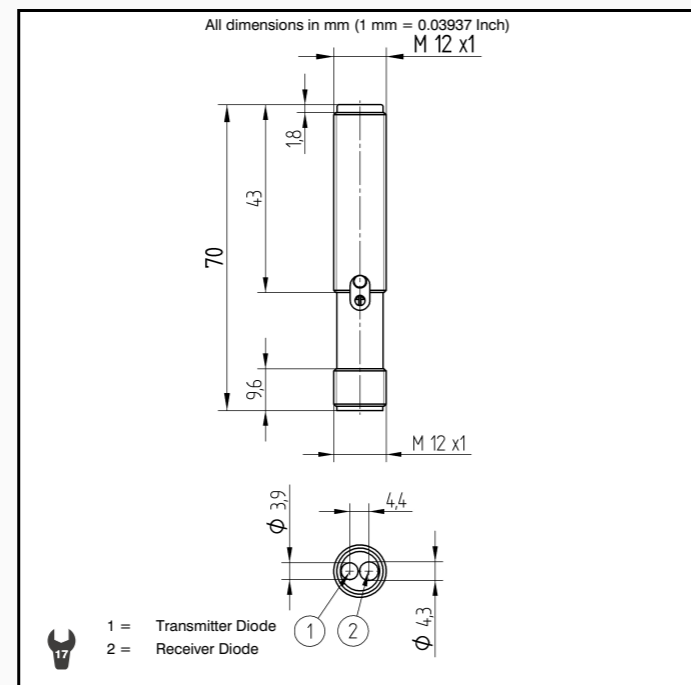
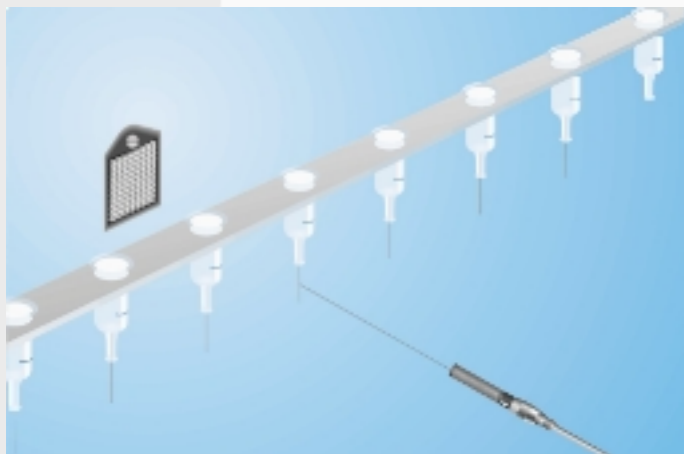


Technical Data

Optical Data	
Range	6000 mm
Reference Reflector	RQ100BA
Smallest Recognizable Part	100 µm
Switching Hysteresis	< 15 %
Light Source	Laser (red)
Wave Length	655 nm
Polarization Filter	yes
Service Life (T = +25°C)	100000 h
Laser Protection Class (EN 60825-1)	2
max. Ambient Light	10000 Lux
Beam Divergence	< 2 mrad
Electrical Data	
Supply Voltage	10...30 V DC
Current Consumption (U _b = 24V)	< 20 mA
Switching Frequency	3 kHz
Response Time	167 µs
Temperature Drift	< 10 %
Temperature Range	-25...60 °C
Switching Output Voltage Drop	< 2.5 V
PNP Switching Output/Switching Current	200 mA
Short Circuit Protection	yes
Reverse Polarity Protection	yes
Overload Protection	yes
Mechanical Data	
Housing	BrasNicPlated
Full Encapsulation	yes
Protection Mode	IP 67
Connection	M 12x1
Protective Insulation, Rated Voltage	50 V

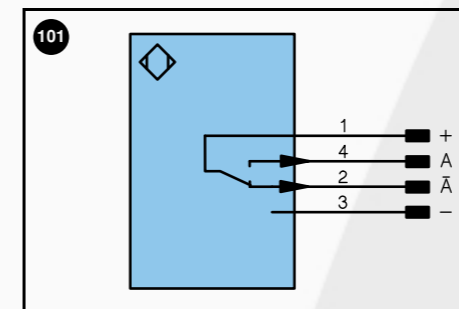
- Smallest Recognizable Part: 0.1 mm
- Spot Diameter: 1 mm
- Switching Frequency: 3 kHz

A reflector must be used in combination with these sensors. They can be installed in all kinds of industrial environments thanks to ample functional reserve. Even reflective objects can be reliably recognized through the use of polarized light.



Specifications are subject to change without notice
38/03

Part Number	Plug Version
XO89PA3	
PNP NO/NC antivalent	●
Connection Diagram No.	101
Control Panel No.	O3
Suitable Plug No.	1



Legend		Wire colors according to DIN IEC 757
+	Power supply "+"	BK black
-	Power supply "0V"	BN brown
-	Power supply (AC Voltage)	RD red
A	Switching output (1,2,3...)/ NO	OG orange
A	Switching output (1,2,3...)/ NC	YE yellow
V	Contamination / Error output (NO)	GN green
V	Contamination / Error output (NC)	BU blue
E	Input (analog or digital)	VT violet
T	Teach input	GY grey
Z	Time delay (activation)	WH white
S	Shielding	PK pink
RxD	RS-232 receive path	GNYE green yellow
TxD	RS-232 send path	
U	Test input	
W	Trigger input	
O	Analog output (1,2,3,...)	
O-	Ground for the analog output	
BZ	Block discharge	
Aw	Valve output	
a	Valve control output "+"	
b	Valve control output "0V"	
SY	Synchronization	
E+	Receiver-Line	
S+	Emitter-Line	
⊕	Grounding	

Accessories

- Mounting Clamp BSM12B
- Fixation System W12S12
- Mounting Bracket W12
- Mounting Bracket W12L
- Reflector, Reflector Tape

Ctrl. Panel



- 05 = Switching Distance Adjuster
- 31 = Switching Status/Contamination- / Short Circuit Warning