

Inductive Proximity Switch

non-flush Housing B M12 x 1

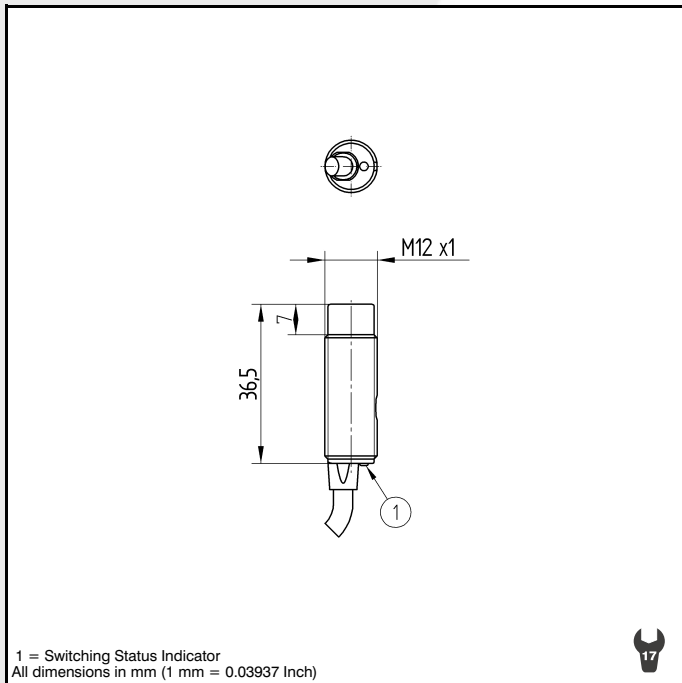
IB060NM37VB

Part Number



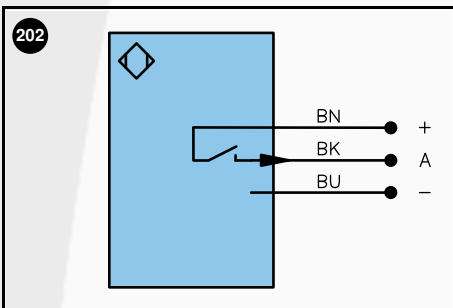
Technical Data

Inductive Data	
Switching Distance	6 mm
Correction Factors V2A / Brass / Al	0.76/0.54/0.54
Mounting	non-flush
Switching Hysteresis	< 15 %
Electrical Data	
Supply Voltage	10...30 V DC
Current Consumption (U _b = 24V)	< 6 mA
Switching Frequency	300 Hz
Temperature Drift	< 10 %
Temperature Range	-25...80 °C
Switching Output Voltage Drop	< 2.5 V
Switching Output/Switching Current	200 mA
Residual Current Switching Output	< 100 µA
Short Circuit Protection	yes
Reverse Polarity Protection	yes
Overload Protection	yes
Mechanical Data	
Housing	BrasNicPlated
Full Encapsulation	yes
Protection Mode	IP 67
Connection	Prewired
Cabel Length	2 m
Protective Insulation, Rated Voltage	50 V



Part Number	IB060NM37VB
-------------	--------------------

PNP NO	●
Connection Diagram No.	202



Legend		Wire colors according to DIN IEC 757	
+	Power supply "+"	BK	black
-	Power supply "0V"	BN	brown
~	Power supply (AC Voltage)	RD	red
A	Switching output (1,2,3...) / NO	OG	orange
Ā	Switching output (1,2,3...) / NC	YE	yellow
V	Contamination / Error output (NO)	GN	green
V̄	Contamination / Error output (NC)	BU	blue
E	Input (analog or digital)	VT	violet
T	Teach input	GY	grey
Z	Time delay (activation)	WH	white
S	Shielding	PK	pink
RxD	RS-232 receive path	GNYE	green yellow
TxD	RS-232 send path		
U	Test input		
W	Trigger input		
O	Analog output (1,2,3...)		
O-	Ground for the analog output		
bz	Block discharge		
Aw	Valve output		
a	Valve control output "+"		
b	Valve control output "0V"		
SY	Synchronization		
E+	Receiver-Line		
S+	Emitter-Line		
⊕	Grounding		

Specifications are subject to change without notice

28/02