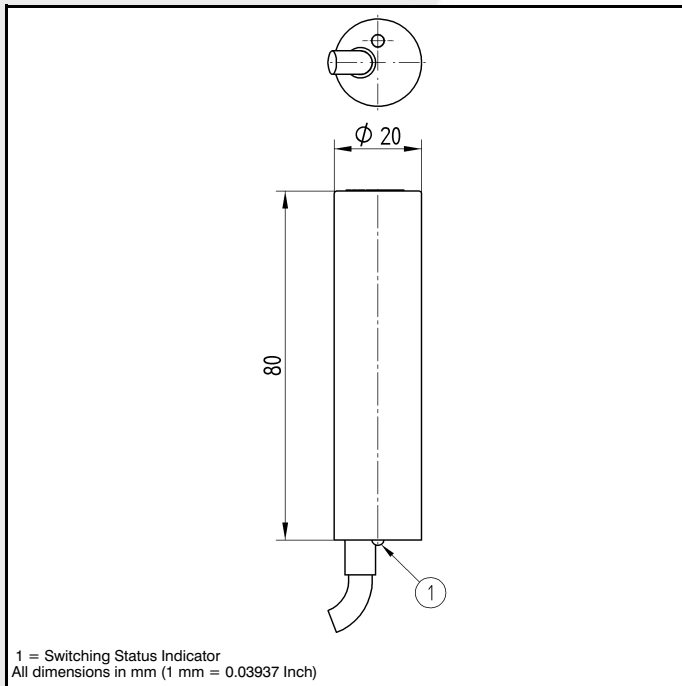
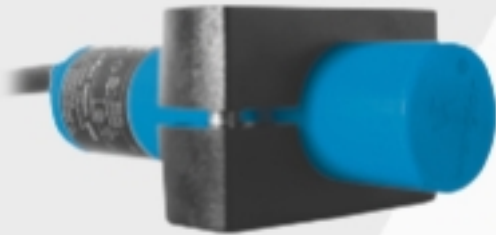


Inductive Proximity Switch

non-flush Housing I Ø 20 mm

II100NK80UA

Part Number



BEF-SET-05 included in delivery

Technical Data

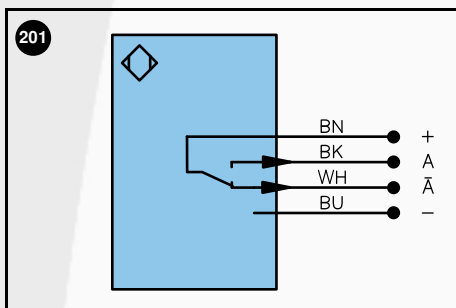
| Inductive Data | |
|--|----------------|
| Switching Distance | 10 mm |
| Correction Factors V2A / Brass / Al | 0.73/0.50/0.48 |
| Mounting | non-flush |
| Switching Hysteresis | < 15 % |
| Electrical Data | |
| Supply Voltage | 10...30 V DC |
| Current Consumption (U _b = 24V) | < 6 mA |
| Switching Frequency | 200 Hz |
| Temperature Drift | < 10 % |
| Temperature Range | -25...80 °C |
| Switching Output Voltage Drop | < 2.5 V |
| Switching Output/Switching Current | 200 mA |
| Residual Current Switching Output | < 100 µA |
| Short Circuit Protection | yes |
| Reverse Polarity Protection | yes |
| Overload Protection | yes |
| Mechanical Data | |
| Housing | Plastic |
| Full Encapsulation | yes |
| Protection Mode | IP 67 |
| Connection | Prewired |
| Cabel Length | 2 m |
| Protective Insulation, Rated Voltage | 50 V |



| | |
|------------------------|-------------|
| Part Number | II100NK80UA |
| | ● |
| Connection Diagram No. | 201 |

PNP NO/NC antivalent

Connection Diagram No.



| Legend | | | |
|--------|-----------------------------------|----|------------------------------|
| + | Power supply "+" | U | Test input |
| - | Power supply "0V" | W | Trigger input |
| ~ | Power supply (AC Voltage) | O | Analog output (1,2,3...) |
| A | Switching output (1,2,3...) / NO | O- | Ground for the analog output |
| A̅ | Switching output (1,2,3...) / NC | bz | Block discharge |
| V | Contamination / Error output (NO) | Aw | Valve output |
| V̅ | Contamination / Error output (NC) | a | Valve control output "+" |
| E | Input (analog or digital) | b | Valve control output "0V" |
| T | Teach input | SY | Synchronization |
| Z | Time delay (activation) | E+ | Receiver-Line |
| S | Shielding | S+ | Emitter-Line |
| RxD | RS-232 receive path | ⊕ | Grounding |
| TxD | RS-232 send path | | |

| Wire colors according to DIN IEC 757 | |
|--------------------------------------|--------------|
| BK | black |
| BN | brown |
| RD | red |
| OG | orange |
| YE | yellow |
| GN | green |
| BU | blue |
| VT | violet |
| GY | grey |
| WH | white |
| PK | pink |
| GNYE | green yellow |

Specifications are subject to change without notice

28/02