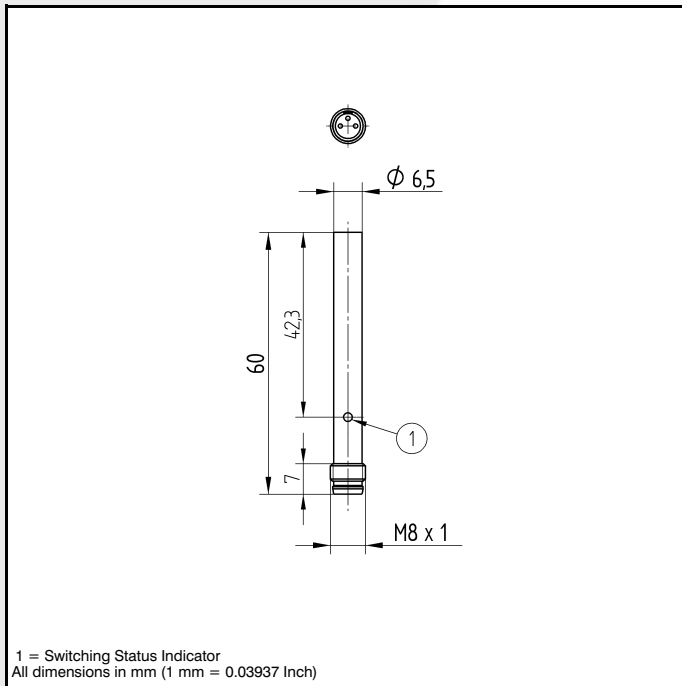


Inductive Proximity Switch

flush Housing R Ø 6.5 mm

IR020BE60TB8

Part Number

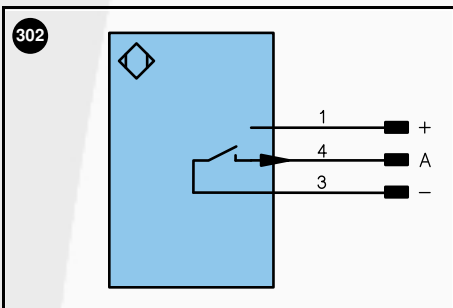


Technical Data

| Inductive Data | |
|--------------------------------------------|-----------------|
| Switching Distance | 2 mm |
| Correction Factors V2A / Brass / Al | 0.65/0.42/0.32 |
| Mounting | flush |
| Switching Hysteresis | < 15 % |
| Electrical Data | |
| Supply Voltage | 10...30 V DC |
| Current Consumption (U _b = 24V) | < 6 mA |
| Switching Frequency | 1500 Hz |
| Temperature Drift | < 10 % |
| Temperature Range | -25...80 °C |
| Switching Output Voltage Drop | < 2.5 V |
| Switching Output/Switching Current | 100 mA |
| Residual Current Switching Output | < 100 µA |
| Short Circuit Protection | yes |
| Reverse Polarity Protection | yes |
| Overload Protection | yes |
| Mechanical Data | |
| Housing | Stainless Steel |
| Full Encapsulation | yes |
| Protection Mode | IP 67 |
| Connection | M 8x1 |



| | |
|------------------------|---------------------|
| Part Number | IR020BE60TB8 |
| NPN NO | ● |
| Connection Diagram No. | 302 |
| Suitable Plug No. | |



| Legend | | Wire colors according to DIN IEC 757 |
|--------|-----------------------------------|--------------------------------------|
| + | Power supply "+" | BK black |
| - | Power supply "0V" | BN brown |
| ~ | Power supply (AC Voltage) | RD red |
| A | Switching output (1,2,3...) / NO | OG orange |
| Ā | Switching output (1,2,3...) / NC | YE yellow |
| V | Contamination / Error output (NO) | GN green |
| V̄ | Contamination / Error output (NC) | BU blue |
| E | Input (analog or digital) | VT violet |
| T | Teach input | GY grey |
| Z | Time delay (activation) | WH white |
| S | Shielding | PK pink |
| RxD | RS-232 receive path | GNYE green yellow |
| TxD | RS-232 send path | |
| U | Test input | |
| W | Trigger input | |
| O | Analog output (1,2,3...) | |
| O- | Ground for the analog output | |
| bz | Block discharge | |
| AwV | Valve output | |
| a | Valve control output "+" | |
| b | Valve control output "0V" | |
| Sy | Synchronization | |
| E+ | Receiver-Line | |
| S+ | Emitter-Line | |
| ⊕ | Grounding | |

Specifications are subject to change without notice

28/02