

A2P16QAT80

Part Number

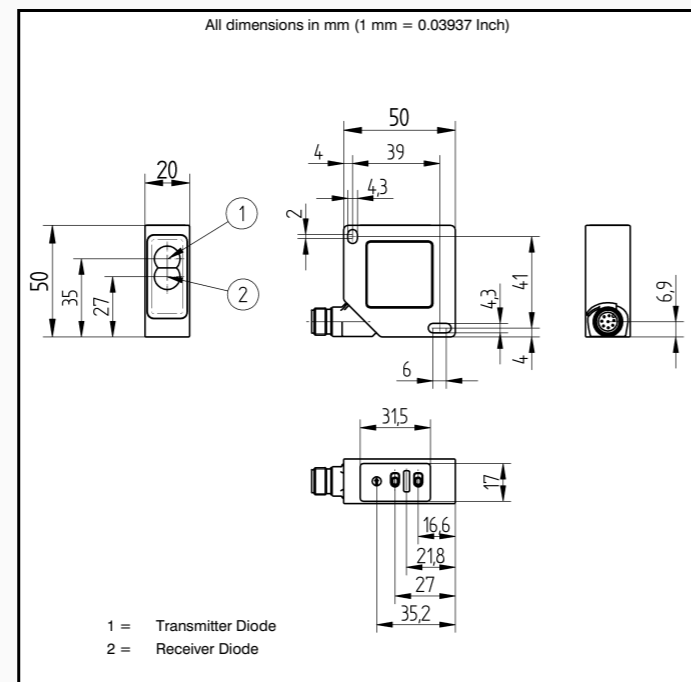
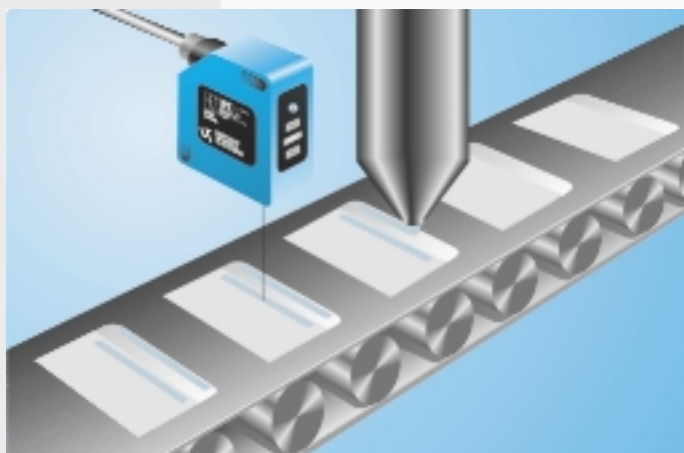


Technical Data

Optical Data	
Working Range	16...20 mm
Working Distance	18 mm
Receiver Filter	OG 570
Switching Hysteresis	< 1 %
Light Source	UV Light
Wave Length	380 nm
Service Life (T = +25°C)	100000 h
max. Ambient Light	10000 Lux
Light Spot Diameter	3 mm
Electrical Data	
Supply Voltage	10...30 V DC
Current Consumption (U _b = 24V)	< 50 mA
Switching Frequency	2500 Hz
Response Time	200 μs
ON-/OFF-Delay	yes
Time Delay	0...100 ms
Temperature Drift	< 1 %
Temperature Range	-25...60 °C
Switching Outputs	2
Switching Output Voltage Drop	1.5 V
Switching Output/Switching Current	200 mA
Short Circuit Protection	yes
Reverse Polarity Protection	yes
Lockable	yes
Teach Mode	ZT,DT,TP
Interface	RS-232
Baud Rate	38400 Bd
Digital Inputs	2
Mechanical Data	
Adjustment	Teach-In
Housing	Plastic
Protection Mode	IP 67
Connection	M 12x1
Protective Insulation, Rated Voltage	50 V

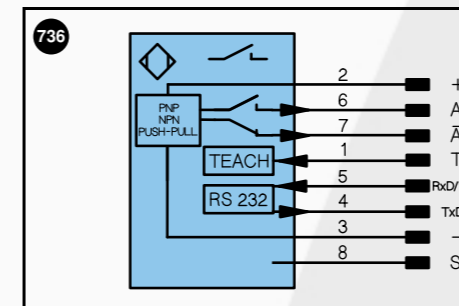
- Digital read-out of intensity values via the RS-232 Interface
- Recognition of luminescent marks
- Teach-In, dynamic Teach-In, external Teach-In, key potentiometer

The Luminescence Sensor detects with the receiver filter GG 420 all luminescent markings which emit light within a wavelength range from 420-750 nm. The receiver filter OG 570 suppresses especially interfering whiteners. The sensors have a very small spot, and use a UV LED with a very long service life.



Specifications are subject to change without notice
45/03

Plug Version	
Part Number	A2P16QAT80
Configurable as PNP/NPN/Push-Pull	●
NO/NC switchable	●
RS-232 Interface	●
Connection Diagram No.	736
Control Panel No.	P 6
Suitable Plug No.	80

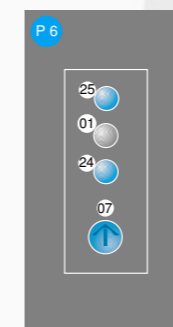


Legend		Wire colors according to DIN IEC 757
+	Power supply "+"	BK black
-	Power supply "0V"	BN brown
~	Power supply (AC Voltage)	RD red
A	Switching output (1,2,3...)/ NO	OG orange
A̅	Switching output (1,2,3...)/ NC	YE yellow
V	Contamination / Error output (NO)	GN green
V̅	Contamination / Error output (NC)	BU blue
E	Input (analog or digital)	VT violet
T	Teach input	GY grey
Z	Time delay (activation)	WH white
S	Shielding	PK pink
RxD	RS-232 receive path	GNYE green yellow
TxD	RS-232 send path	
U	Test input	
W	Trigger input	
O	Analog output (1,2,3,...)	
O-	Ground for the analog output	
BZ	Block discharge	
AWV	Valve output	
a	Valve control output "+"	
b	Valve control output "0V"	
SY	Synchronization	
E+	Receiver-Line	
S+	Emitter-Line	
⊕	Grounding	

Accessories

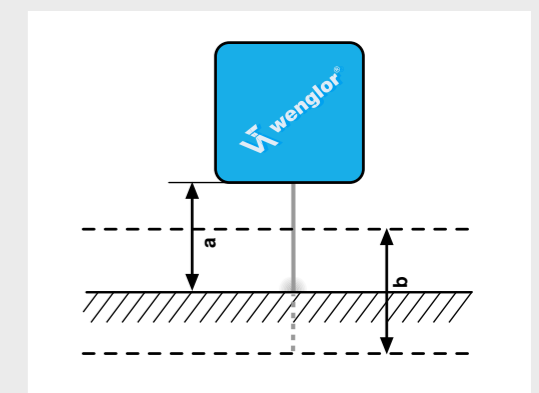
- Mounting Bracket WP
- Serial Interface Adapter S232W2

Ctrl.Panel



- 01 = Switching Status Indicator
- 07 = Selector Switch
- 24 = Plus Button
- 25 = Minus Button

Ideal Working Distance



- a = Working Distance
- b = Working Range