

# BS40M0I20

Part Number

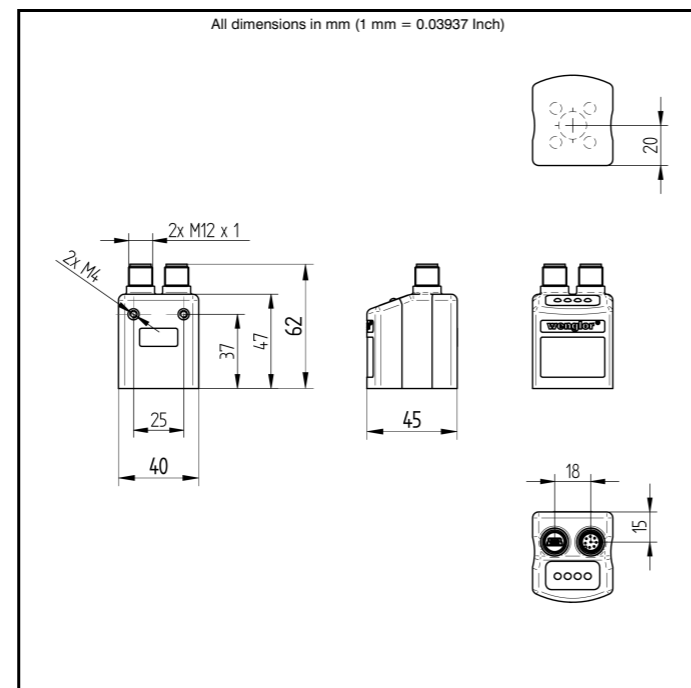


## Technical Data

Optical Data	
Working Range	> 20 mm
Resolution	640 x 480 Pixel
Image chip	monochrome
Light Source	Infrared Light
Service Life (T = +25°C)	100000 h
Field of vision	see Table 1
Image Repetition Rate	100 Hz
Electrical Data	
Supply Voltage	18...30 V DC
Current Consumption (U <sub>b</sub> = 24V)	< 200 mA
Response Time	> 10 ms
Temperature Range	0...40 °C
Switching Outputs	4
Switching Output Voltage Drop	< 1.5 V
Switching Output / Switching Current	200 mA
Short Circuit Protection	yes
Reverse Polarity Protection	yes
Digital Inputs	2
Mechanical Data	
Adjustment	USB 2.0
Housing	Plastic
Degree of Protection	IP 67
Connection	M12 x 1
Protective Insulation, Rated Voltage	50 V
Function	
Surface supervision	yes
Presence Check	yes
Pixel Comparison	yes
Shape Analysis	yes

- !!! AUTOFOCUS !!!
- 10 projects can be saved inside the sensor
- Outputs and Inputs freely programmable
- Project selection via digital input

This wenglor Vision Sensor combines camera, optic, illumination and evaluation unit in one compact housing. Especially it is suited if the color is relevant or disturbing areas should be masked. The functions are working independently of the position of the object. Sorting, size control and good/bad part detection are realizable easily. The documentation of live- and diagnostic pictures can be executed via USB 2.0.



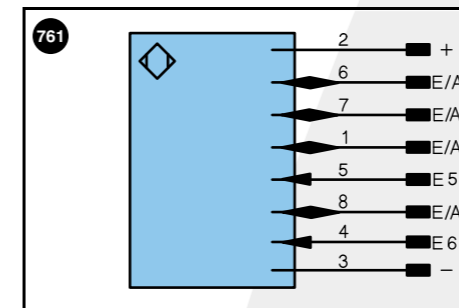
Specifications are subject to change without notice  
09/08

Plug Version	Part Number
Configurable as PNP/NPN/Push-Pull	●
NO/NC switchable	●
Ready Output	●
Illumination Output	●
USB Interface	●
Connection Diagram No.	761
Control Panel No.	41
Suitable Plug No.	88



Table 1

Working Distance	20 mm	200 mm	1000 mm
Field of vision	16 x 12 mm	120 x 90 mm	600 x 450 mm

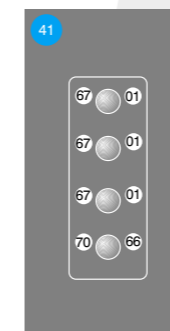


Legend		Wire colors according to DIN IEC 757
+	Power supply "+"	BK black
-	Power supply "0V"	BN brown
~	Power supply (AC Voltage)	RD red
A	Switching output (1,2,3...) / NO	OG orange
Å	Switching output (1,2,3...) / NC	YE yellow
V	Contamination / Error output (NO)	GN green
∇	Contamination / Error output (NC)	BU blue
E	Input (analog or digital)	VT violet
T	Teach input	GY grey
Z	Time delay (activation)	WH white
S	Shielding	PK pink
RxD	RS-232 receive path	GNVE green yellow
TxD	RS-232 send path	
RDY	Ready	
GND	Ground	
CL	Clock	
U	Test input	
W	Trigger input	
O	Analog output (1,2,3,...)	
O-	Ground for the analog output	
BZ	Block discharge	
AWV	Valve output	
a	Valve control output "+"	
b	Valve control output "0V"	
SY	Synchronization	
E+	Receiver-Line	
S+	Emitter-Line	
+	Grounding	
SvR	Switching Distance Reduction	
USB+	USB data +	
USB-	USB data -	

## Accessories

- Adapter Cable BG2BSW1-08M
- Mounting Bracket WMS12
- Mounting Bracket WMS30
- Floodlight ZFFx09-0x
- Polarizing Filter ZVPB40001
- Ring Illuminator ZFRx11-01
- Spot Light ZFSx08-01
- Spot Light ZFSx10-01

## Ctrl. Panel



- 01 = Switching Status Indicator
- 66 = USB Status
- 67 = Busy