

# Through Beam Sensors



## EA250-25M

Part Number

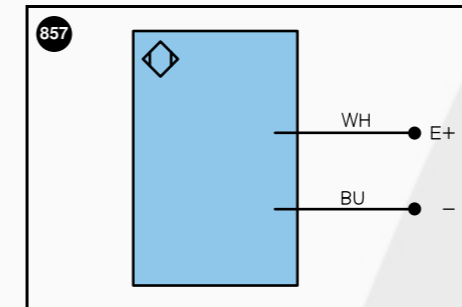
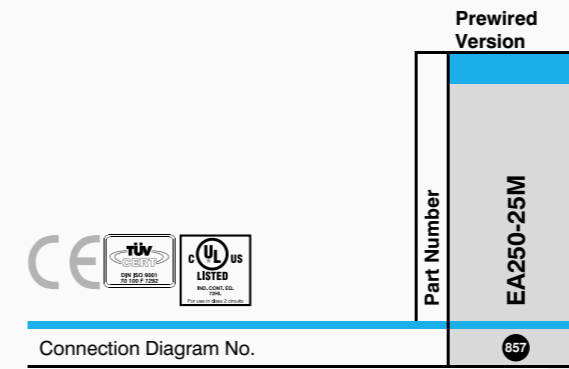
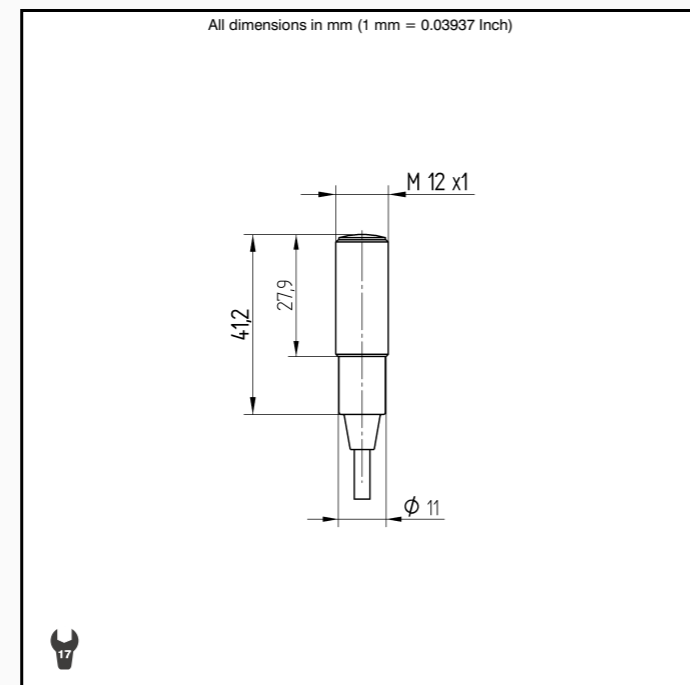
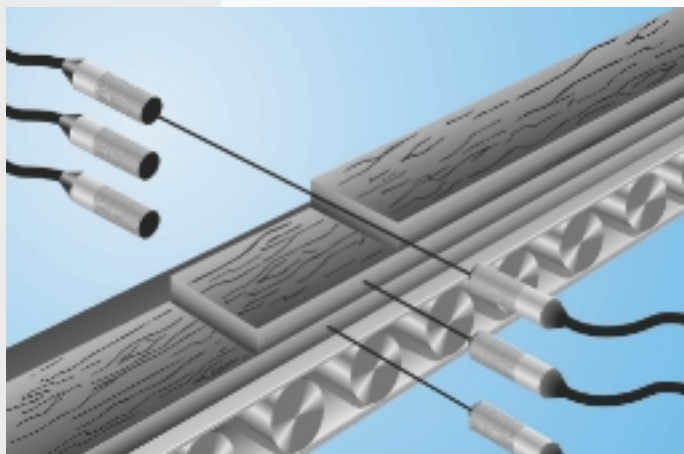


### Technical Data

Optical Data	
Range / adjustable	25000 mm
max. Ambient Light	10000 Lux
Opening Angle	8 °
Electrical Data	
Sensor Type	Receiver
Temperature Drift	< 10 %
Temperature Range	-25...60 °C
Short Circuit Protection	yes
Reverse Polarity Protection	yes
Overload Protection	yes
Mechanical Data	
Housing	BrasNicPlated
Full Encapsulation	yes
Protection Mode	IP 67
Connection	Prewired
Cabel Length	25 m

- For connection to LV 250 control module
- Functions reliably with severe contamination
- No interactive influence

These through-beam sensors work in combination with the LV250 controller. They can be freely positioned as desired. Thanks to their large working range, the devices demonstrate excellent functional reliability in highly contaminated environments.



Legend				
+	Power supply "+"	U	Test input	Wire colors according to DIN IEC 757
-	Power supply "0V"	W	Trigger input	BK black
-	Power supply (AC Voltage)	O	Analog output (1,2,3,...)	BN brown
A	Switching output (1,2,3...)/ NO	O-	Ground for the analog output	RD red
A	Switching output (1,2,3...)/ NC	BZ	Block discharge	OG orange
V	Contamination / Error output (NO)	Aw	Valve output	YE yellow
V	Contamination / Error output (NC)	a	Valve control output "+"	GN green
E	Input (analog or digital)	b	Valve control output "0V"	BU blue
T	Teach input	SY	Synchronization	VT violet
Z	Time delay (activation)	E+	Receiver-Line	GY grey
S	Shielding	S+	Emitter-Line	WH white
RxD	RS-232 receive path	⊕	Grounding	PK pink
TxD	RS-232 send path			GNYE green yellow

### Accessories

- Mounting Clamp BSM12B
- Mounting Bracket W12
- Controller LV250