

# Through Beam Sensors



## EW98PC3

Part Number

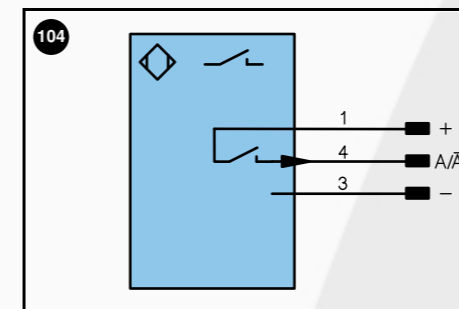


- Special Alignment Optic
- Suitable for use as a muting barrier

### Technical Data

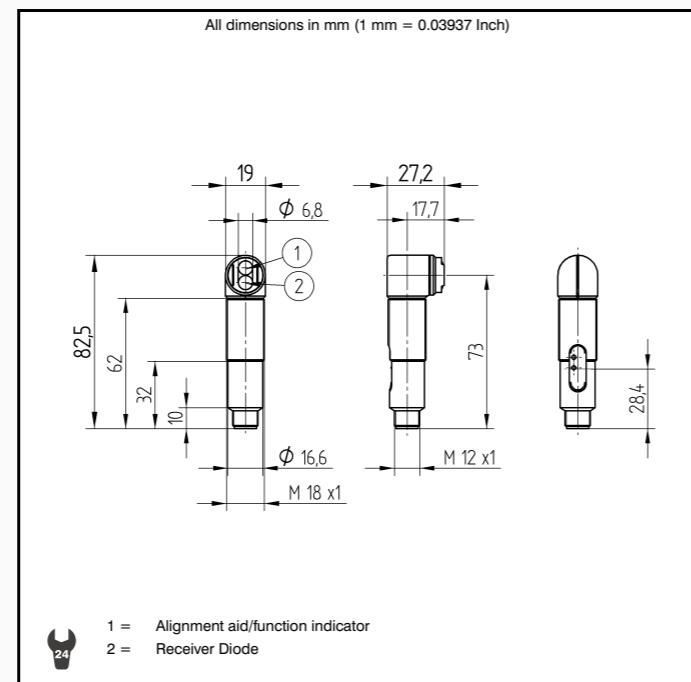
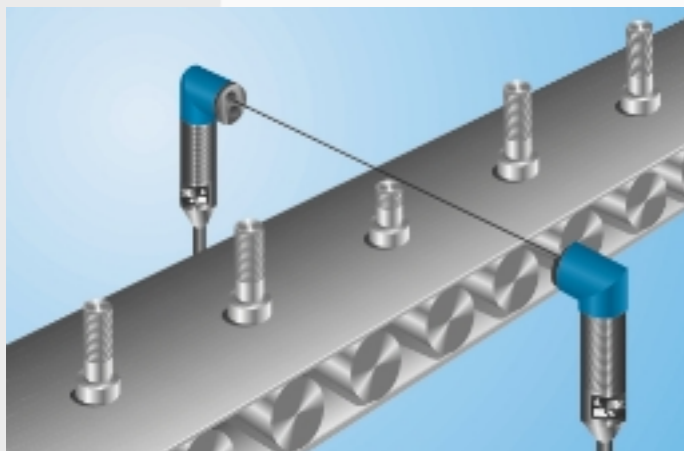
Optical Data	
Range	10000 mm
Switching Hysteresis	< 15 %
max. Ambient Light	10000 Lux
Opening Angle	6 °
Electrical Data	
Sensor Type	Receiver
Supply Voltage	10...30 V DC
Current Consumption (U <sub>b</sub> = 24V)	< 40 mA
Switching Frequency	150 Hz
Response Time	3300 μs
Temperature Drift	< 10 %
Temperature Range	-10...60 °C
Switching Output Voltage Drop	< 2.5 V
PNP Switching Output/Switching Current	200 mA
Residual Current Switching Output	< 50 μA
Short Circuit Protection	yes
Reverse Polarity Protection	yes
Overload Protection	yes
Mechanical Data	
Housing	BrasNicPlated
Full Encapsulation	yes
Protection Mode	IP 67
Connection	M 12x1

Plug Version	
Part Number	EW98PC3
PNP NO/NC switchable	●
Connection Diagram No.	104
Control Panel No.	D 1
Suitable Plug No.	2



Legend				
+	Power supply "+"	U	Test input	Wire colors according to DIN IEC 757
-	Power supply "0V"	W	Trigger input	BK black
-	Power supply (AC Voltage)	O	Analog output (1,2,3,...)	BN brown
A	Switching output (1,2,3...)/ NO	O-	Ground for the analog output	RD red
A-bar	Switching output (1,2,3...)/ NC	BZ	Block discharge	OG orange
V	Contamination / Error output (NO)	Aw	Valve output	YE yellow
V-bar	Contamination / Error output (NC)	a	Valve control output "+"	GN green
E	Input (analog or digital)	b	Valve control output "0V"	BU blue
T	Teach input	SY	Synchronization	VT violet
Z	Time delay (activation)	E+	Receiver-Line	GY grey
S	Shielding	S+	Emitter-Line	WH white
RxD	RS-232 receive path	⊕	Grounding	PK pink
TxD	RS-232 send path			GNYE green yellow

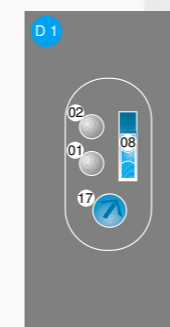
These through beam sensors are well suited for use in aggressive industrial environments. The sensor can be checked for correct functioning via the test input. Thanks to their large working range, the devices demonstrate excellent functional reliability in highly contaminated environments.



### Accessories

- Mounting Clamp BSM18B
- Mounting Bracket W18

### Ctrl. Panel



- 01 = Switching Status Indicator
- 02 = Contamination Warning
- 08 = NO/NC Switch
- 17 = Sensitivity Adjustment