

# POWER SUPPLY

## POWER SUPPLY FOR ELECTRICAL BOARDS

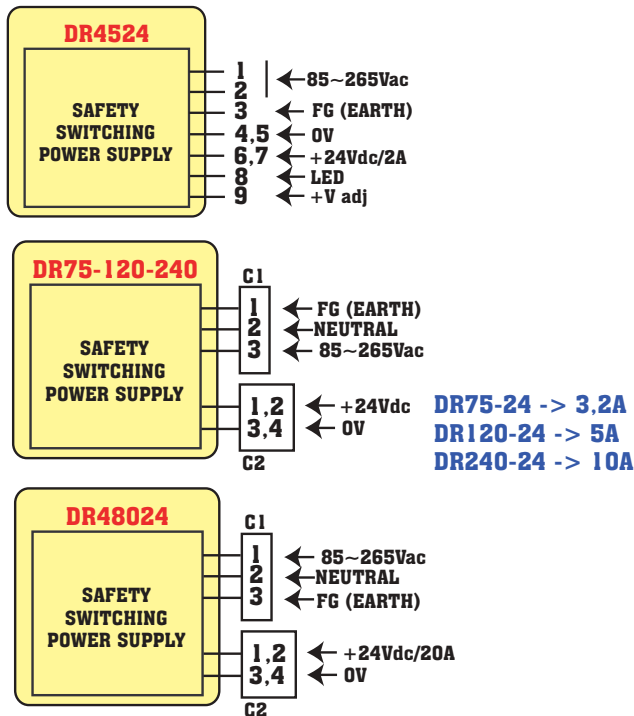
- Primary single phase: 85~265Vac (40~440Hz)
- Three-phase version : 400~500Vac
- Secondary : 24Vdc
- Single phase, nominal current : 2A / 3,2A/ 5A/ 10A/20A
- Three phase, nominal current : 5A/10A/20A
- Efficiency: 78~89%
- Regulation rate : 0,1~1%
- Primary/Secondary isolement : 3KV standard



### SAFETY STANDARD

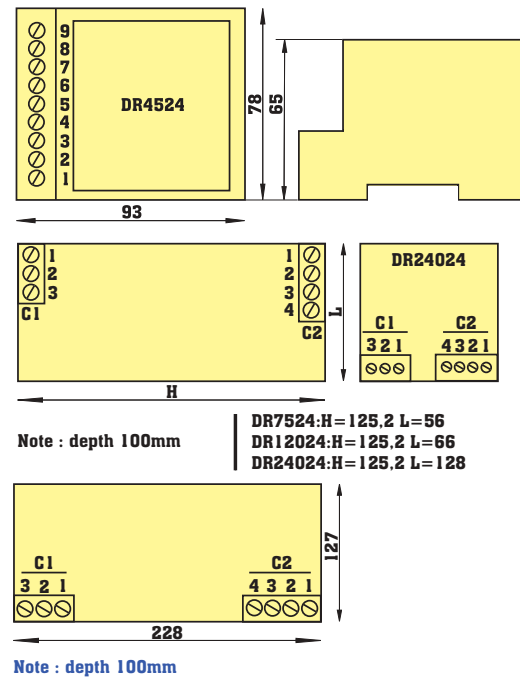
SERIE DR : EN60950, EN55022 class B, EN 61000-1-2,3,4,5,6,8,11

### WIRING DIAGRAM



10A and 20A in Three Phase 400V

### DIMENSIONS



### APPLICATION

Switching power supply with regulation to avoid overvoltages and drop of voltage leading to a wearing effect of the material. Compact and light power supply on DIN rail.