

## Table of contents

---

	Page
KN 2700	P1
<hr/>	
KN 2800	P4
<hr/>	
Options KN 2700/KN 2800	P6
<hr/>	
Process connections / Spare parts	P8

Subject to technical change.

All dimensions in mm (inches).

We assume no liability for typing errors.

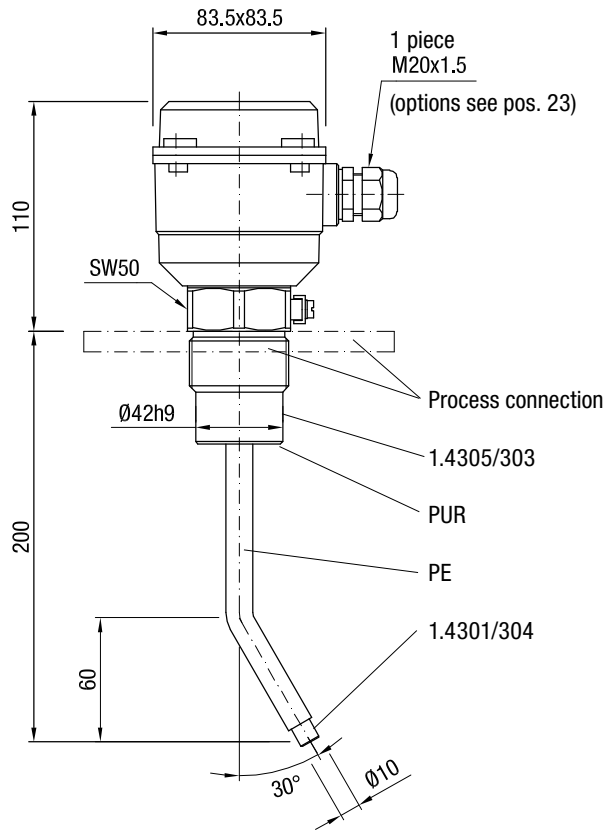
Valid from 01.04.2008 until 31.03.2009 unless otherwise agreed.

By publishing this option list all other option lists become invalid.

Different variations to those specified are possible.  
Please contact our technical consultants.

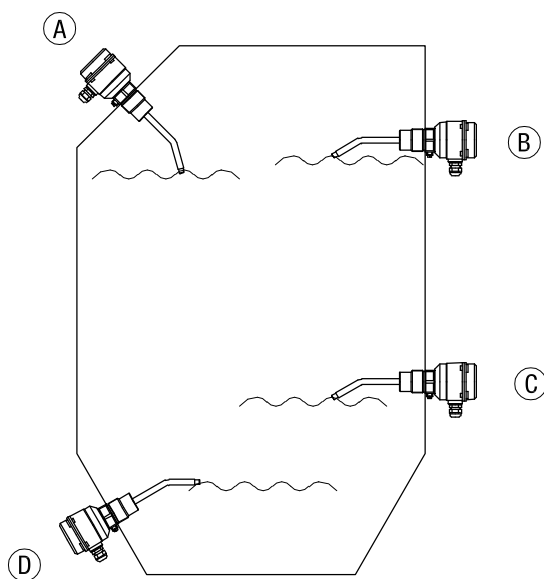
## KN 2700 Dimensions / Application

### Dimensions



- Compact unit
- 1 point level limit detection in conductive liquids and muds
- Full, demand, empty detector
- Wide range of applications
- No maintenance
- Enclosure IP66
- Die cast aluminium housing

### Application



- A Full detector vertical and oblique from the top
- B Full detector horizontal
- C Empty detector horizontal
- D Empty detector oblique from the bottom

## KN 2700 Selection

### Selection

### Basic type KN 2700

- pos. 2      **Power supply**
- A 220..240V AC 50–60 Hz .....
  - B 110..120V AC 50–60 Hz .....
  - C 42V AC 50–60 Hz .....
  - D 24V AC 50–60 Hz .....
  - E 20–30V DC .....
- pos. 3      **Process connection** (flange dimensions see page P8)
- A thread G 1½ inch, DIN 228 .....
  - F thread NPT 1½ inch, conical ANSI B1.20.1 .....
  - L flange DN100 PN6, EN 1092–1 (1.4541/321) .....
  - M flange DN100 PN16, EN 1092–1 (1.4541/321) .....

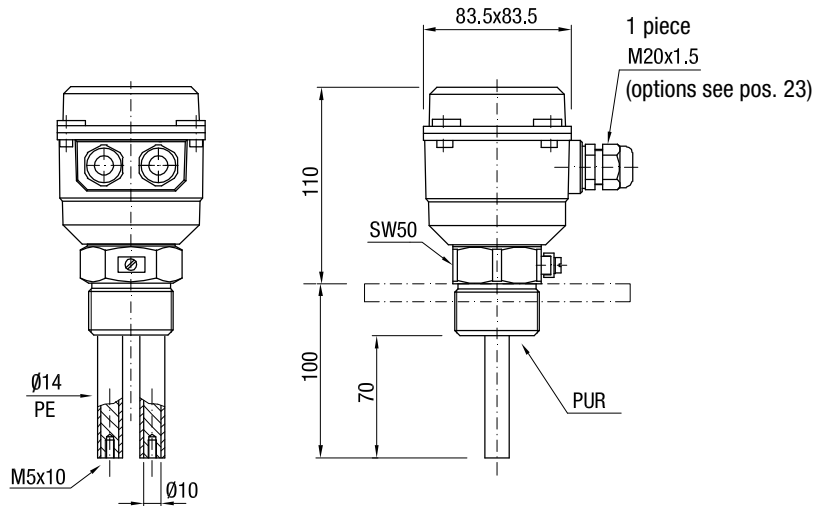
position	1	2	3	4	5	6	
<b>KN 2700</b>	<b>A</b>		<b>3</b>	<b>A</b>	<b>1</b>		← <b>ordering code</b>

All positions are available in special design (use ode "Z").

## KN 2800 Dimensions

### 2 Electrodes

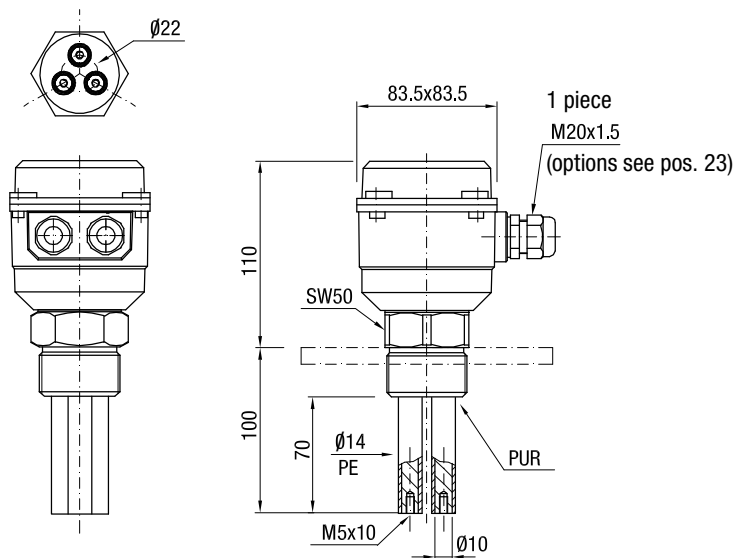
For applications with conductive vessel wall  
 (pos.7, code 1)



- Compact unit
- 2 point level limit detection in conductive liquids and muds
- Full, demand, empty detector
- Wide range of applications
- No maintenance
- Enclosure IP66
- Die cast aluminium housing

### 3 Electrodes

For applications with non conductive vessel wall  
 (pos. 7, code 2)



## KN 2800 Selection

### Selection

### Basic type KN 2800

- pos. 2      **Power supply**
- A 220..240V AC 50–60 Hz .....
  - B 110..120V AC 50–60 Hz .....
  - C 42V AC 50–60 Hz .....
  - D 24V AC 50–60 Hz .....
  - E 20–30V DC .....
- pos. 3      **Process connection** (flange dimensions see page P8)
- A thread G 1½ inch, DIN 228 .....
  - F thread NPT 1½ inch, conical ANSI B1.20.1 .....
  - L flange DN100 PN6, EN 1092–1 (1.4541/321) .....
  - M flange DN100 PN16, EN 1092–1 (1.4541/321) .....
- pos. 7      **Number of bars**
- 1 2 bars (for conductive vessel walls) .....
  - 2 3 bars (for non conductive vessel walls) .....

position	1	2	3	4	5	6	7
KN 2800	C			3	A	A	

← ordering code

All positions are available in special design (use code "Z").

## Options

### Options

pos. 21 **Weather protection cover** .....

**Mounting set for flange mounting**

process connection flange	for counter flange with	consisting of			
		screw*	nut*	washer*	sealing (max. 125°C)
pos. 22c L	hole ø18	4 pieces M16x60	4 pieces M16	4 pieces	1 piece
pos. 22d L	thread M16	4 pieces M16x40		4 pieces	1 piece
pos. 22e M	hole ø18	8 pieces M16x60	8 pieces M16	8 pieces	1 piece
pos. 22f M	thread M16	8 pieces M16x40		8 pieces	1 piece

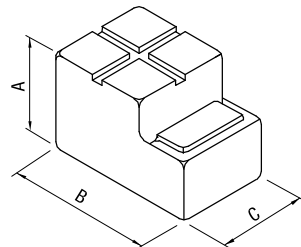
\* material stainless steel A2

pos. 23 **Cable entry**  
 X 2x M20x1,5 screwed cable gland .....  
 A 2x conduit connection NPT ½" tapered ANSI B1.20.1 .....

pos. 24 **Hexagon nut for process connection thread G 1½ inch**  
 stainless steel .....

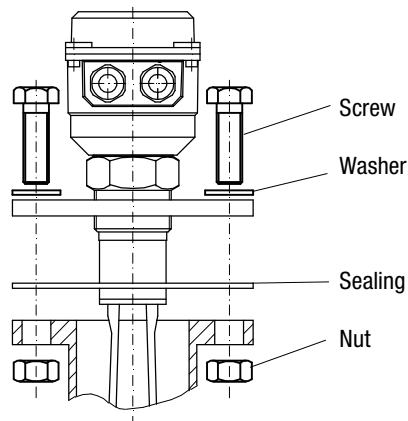
## Options

pos. 21  
**Weather-protection cover**

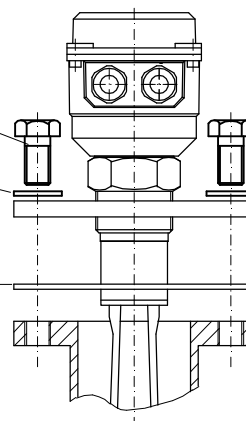


	KN 2700 KN 2800
A	100mm (3.94")
B	165mm (6.5")
C	88mm (3.46")

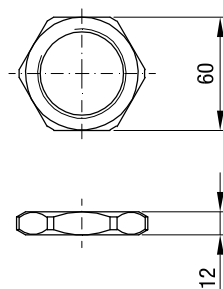
pos. 22  
**Mounting set for flange with hole**



pos. 22  
**Mounting set for flange with thread**



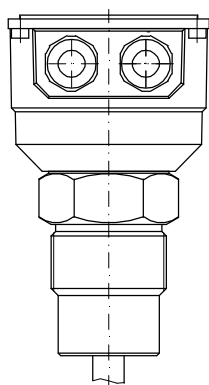
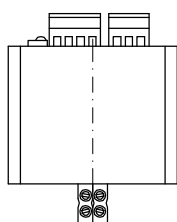
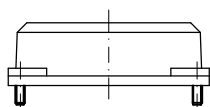
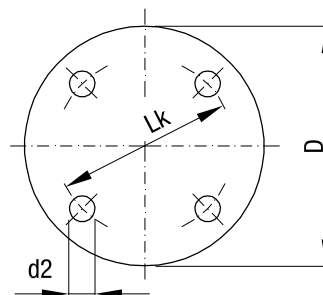
pos. 24  
**Hexagon nut G 1½ inch**



## Dimensions flanges / Spare parts

Process connections:

Code	Type	Number of holes	d2	Lk	D	T (Thickness)
L	Flange DN100 PN6	4	18	170	210	16
M	Flange DN100 PN16	8	18	180	220	20



### Spare parts

#### KN 2700

##### Electronic module

pl101040	220..240V	50-60Hz	.....
pl101030	110..120V	50-60Hz	.....
pl101020	42V	50-60Hz	.....
pl101000	24V	50-60Hz	.....
pl101050	20..30V DC	.....	.....

#### KN 2800

##### Electronic module

pl102040	220..240V	50-60Hz	.....
pl102030	110..120V	50-60Hz	.....
pl102020	42V	50-60Hz	.....
pl102000	24V	50-60Hz	.....
pl102050	20..30V DC	.....	.....