



Magnetic Level Switches

for Liquids, Side Installation



measuring
•
monitoring
•
analysing



- Pressure: max. 100 bar
- Temperature: max. 150 °C
- Connection:
G ³/₈ male thread
- Material:
Brass, stainless steel,
PVC-U, PP

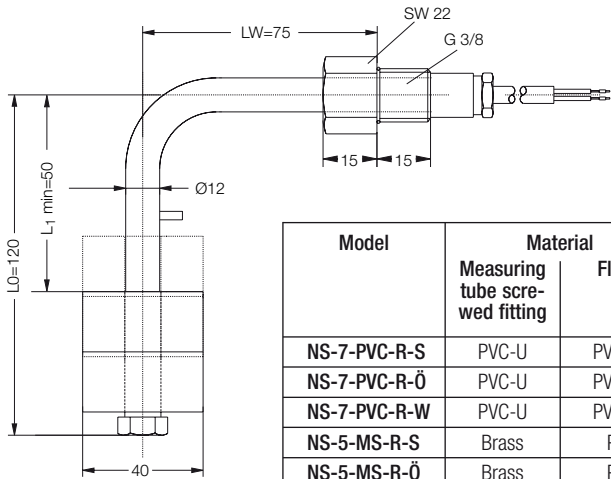


KOBOLD companies worldwide:

ARGENTINA, AUSTRIA, BELGIUM, CANADA, CHILE, CHINA, CZECH
REPUBLIC, FRANCE, GERMANY, GREAT BRITAIN, INDONESIA, ITALY,
MALAYSIA, MEXICO, NETHERLANDS, PERU, POLAND, SWITZERLAND,
SINGAPORE, SLOVAKIA, THAILAND, USA, VENEZUELA, VIETNAM

KOBOLD Messring GmbH
Nordring 22-24
D-65719 Hofheim/Ts.
☎ +49(0)6192 299-0
Fax +49(0)6192 23398
E-Mail: info.de@kobold.com
Internet: www.kobold.com

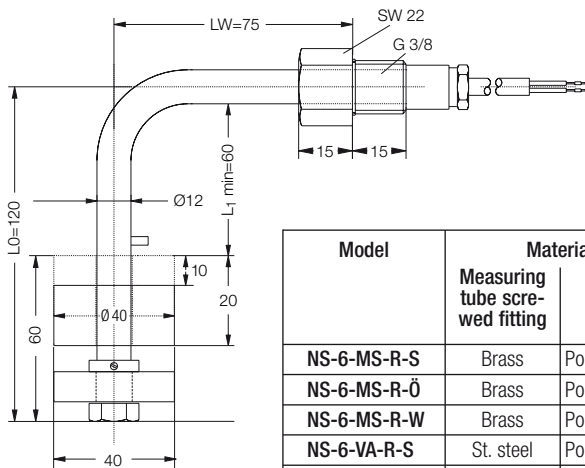
Model:
NS



Contact operation with rising level:

N/O contact: 230 V_{AC} / 1.0 A / 60 VA
 N/C contact: 230 V_{AC} / 1.0 A / 60 VA
 Changeover contact: 230 V_{AC} / 1.0 A / 60 VA
 Cable length: 1 m NYLHY
 Installation position: vertical ±30°
 Protection: IP 65
 Connection: G 3/8 male thread
 L₁ min: 50 mm

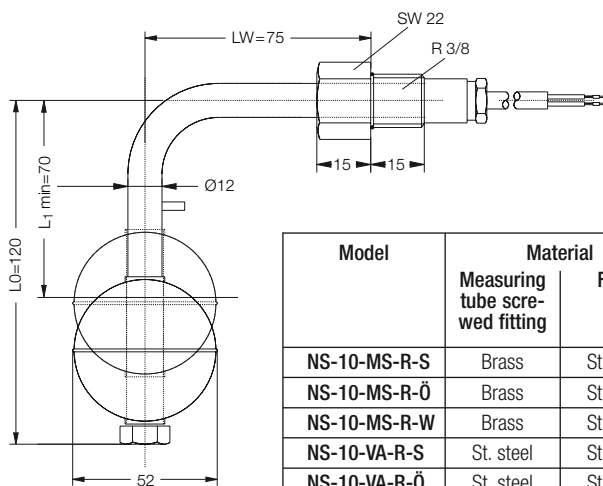
Model	Material		Nominal pressure [bar]	Max. temperature [°C]		Number of contacts Function	Min. mount. depth [mm]	Liquid density [kg/dm ³]
	Measuring tube screwed fitting	Float		PVC cable	Silicone cable			
NS-7-PVC-R-S	PVC-U	PVC-U	3	55	55	1 N/O contact	95	> 0.9
NS-7-PVC-R-Ö	PVC-U	PVC-U	3	55	55	1 N/C contact	95	> 0.9
NS-7-PVC-R-W	PVC-U	PVC-U	3	55	55	1 changeover c.	95	> 0.9
NS-5-MS-R-S	Brass	PP	3	70	90	1 N/O contact	95	> 0.7
NS-5-MS-R-Ö	Brass	PP	3	70	90	1 N/C contact	95	> 0.7
NS-5-MS-R-W	Brass	PP	3	70	90	1 changeover c.	95	> 0.7
NS-5-VA-R-S	St. steel	PP	3	70	90	1 N/O contact	95	> 0.7
NS-5-VA-R-Ö	St. steel	PP	3	70	90	1 N/C contact	95	> 0.7
NS-5-VA-R-W	St. steel	PP	3	70	90	1 changeover c.	95	> 0.7



Contact operation with rising level:

N/O contact: 230 V_{AC} / 1.0 A / 60 VA
 N/C contact: 230 V_{AC} / 1.0 A / 60 VA
 Changeover contact: 230 V_{AC} / 1.0 A / 60 VA
 Cable length: 1 m NYLHY
 Installation position: vertical ±30°
 Protection: IP 65
 Connection: G 3/8 male thread
 L₁ min: 50 mm

Model	Material		Nominal pressure [bar]	Max. temperature [°C]		Number of contacts Function	Min. mount. depth [mm]	Liquid density [kg/dm ³]
	Measuring tube screwed fitting	Float		PVC cable	Silicone cable			
NS-6-MS-R-S	Brass	Polypropylene	100	70	90	1 N/O contact	120	> 0.8
NS-6-MS-R-Ö	Brass	Polypropylene	100	70	90	1 N/C contact	120	> 0.8
NS-6-MS-R-W	Brass	Polypropylene	100	70	90	1 changeover c.	120	> 0.8
NS-6-VA-R-S	St. steel	Polypropylene	100	70	90	1 N/O contact	120	> 0.8
NS-6-VA-R-Ö	St. steel	Polypropylene	100	70	90	1 N/C contact	120	> 0.8
NS-6-VA-R-W	St. steel	Polypropylene	100	70	90	1 changeover c.	120	> 0.8



Contact operation with rising level:

N/O contact: 230 V_{AC} / 1.0 A / 60 VA
 N/C contact: 230 V_{AC} / 1.0 A / 60 VA
 Changeover contact: 230 V_{AC} / 1.0 A / 60 VA
 Cable length: 1 m NYLHY
 Installation position: vertical ±30°
 Protection: IP 65
 Connection: G 3/8 male thread
 L₁ min: 70 mm

Model	Material		Nominal pressure [bar]	Max. temperature [°C]		Number of contacts Function	Min. mount. depth [mm]	Liquid density [kg/dm ³]
	Measuring tube screwed fitting	Float		PVC cable	Silicone cable			
NS-10-MS-R-S	Brass	St. steel	30	70	90 (150*)	1 N/O contact	120	> 0.6
NS-10-MS-R-Ö	Brass	St. steel	30	70	90 (150*)	1 N/C contact	120	> 0.6
NS-10-MS-R-W	Brass	St. steel	30	70	90 (150*)	1 changeover c.	120	> 0.6
NS-10-VA-R-S	St. steel	St. steel	30	70	90 (150*)	1 N/O contact	120	> 0.6
NS-10-VA-R-Ö	St. steel	St. steel	30	70	90 (150*)	1 N/C contact	120	> 0.6
NS-10-VA-R-W	St. steel	St. steel	30	70	90 (150*)	1 changeover c.	120	> 0.6