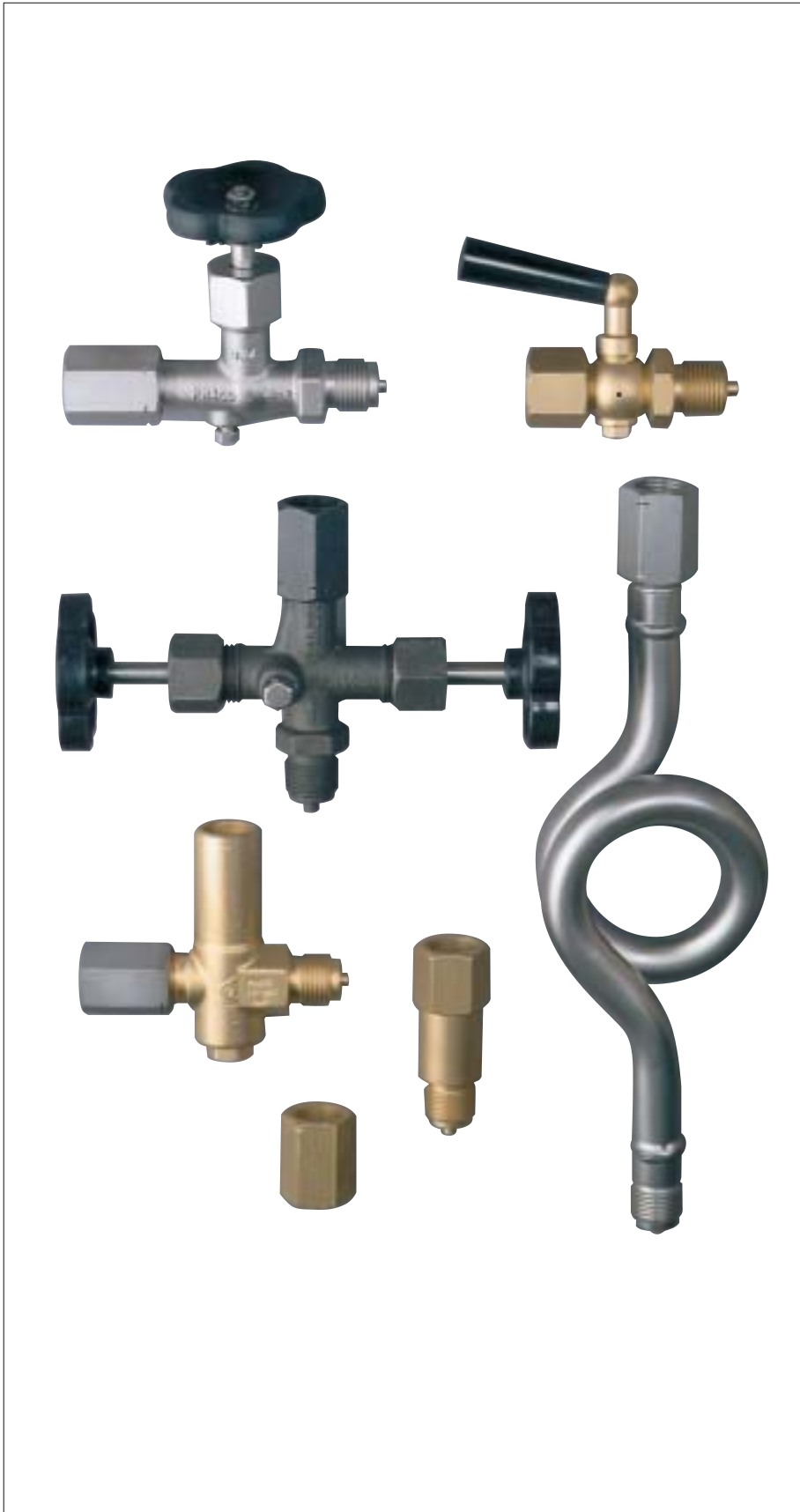


## Accessories for pressure gauges



measuring  
•  
monitoring  
•  
analysing




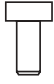
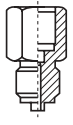
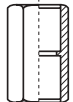
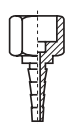

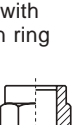
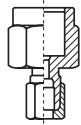
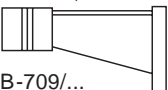
KOBOLD offices exist in the following countries:

**ARGENTINA, AUSTRIA, BELGIUM, BRAZIL, CANADA,  
CHINA, FRANCE, GREAT BRITAIN, ITALY, NETHERLANDS,  
POLAND, SWITZERLAND, USA, VENEZUELA**

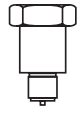
KOBOLD Messring GmbH  
Nordring 22-24  
D-65719 Hofheim/Ts.  
☎ (06192) 299-0  
Fax (06192) 23398  
E-mail: [info.de@kobold.com](mailto:info.de@kobold.com)  
Internet: [www.kobold.com](http://www.kobold.com)

## Accessories for pressure gauges

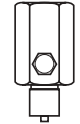
### Adapters model MZB-712/...

Union nut DIN 16284 	Connection		Material	Order. code
	G 1/2		brass	7028
	G 1/2		steel	7029
Soldering connection DIN 16284 	G 1/2		brass	7030
	G 1/2		steel	7031
	G 1/2		st.st.	7074
Adaptor female-male 	Thread female	male	Material	Order. code
	G 1/8	G 1/4 m	brass	7282
	G 1/4	G 1/8 m	brass	7268
	G 1/4	M 12x1.5	brass	7269
	G 1/4	G 3/8 m	brass	7270
	G 1/4	G 1/2 m	brass	7109
	G 3/8	G 1/4 m	brass	7271
	G 3/8	G 1/2 m	brass	7272
	G 1/2	G 1/4 m	brass	7110
	G 1/2	G 3/8 m	brass	7111
	G 1/2	G 3/4 m	brass	7273
	G 1/2	M 12x1.5	brass	7274
	M 20x1.5	G 1/2 m	brass	7275
	G 3/4	G 1/2 m	brass	7276
	G 1/2	G 1/2 m	brass	7277
other materials on request				
Adaptor female- female 2x G 1/2 RH 			Material	Order. code
			brass	7094
			steel	7095
Connector DIN 16283 1x G 1/2 LH, 1x G 1/2 RH 			Material	Order. code
			brass	7278
			steel	7279
Hose coupling with union nut 	Hose i.D.	Thread	Material	Order. code
	6 mm i.D.	G 1/4	brass	7087
	6 mm i.D.	G 1/2	brass	7088
Hose coupling with male thread 	6 mm i.D.	G 1/4 m	brass	7158
Connection with compression ring 	Nom. press. pipe size	Thread	Material	Order. code
	600/6	G 1/2	steel	7081
	600/6	G 1/2	st.st.1.4571	7082
	600/8	G 1/2	steel	7083
	600/8	G 1/2	st.st.1.4571	7084
	600/10	G 1/2	steel	7085
	600/10	G 1/2	st.st.1.4571	7086
	600/12	G 1/2	steel	7266
600/12	G 1/2	st.st.1.4571	7267	
Instrument holder DIN 16281, MZB-709/... 	Length		Alu Order. code	st.st.1.4571 Order. code
	60 mm		7034	7132
	100 mm		7035	7133
	160 mm		7071	7134

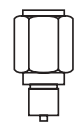
### Valve adaptor R DIN 16281 Model MZB-708/...

	Thread	Material	Order. code
	G 1/2 m	brass	7036
	G 1/2 m	steel	7037
	G 1/2 m	st.st.1.4571	7038

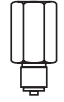
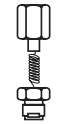

### Throttle, adjustable Model MZB-706/...

	Thread	Nom. press.	Material	Order. code
	G 1/4 m	250	brass	7072
	G 1/2 m	250	brass	7025
	G 1/2 m	600	steel	7026
	G 1/2 m	600	st.st.1.4571	7027

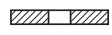
### Pressure impact damper Model MZB-706/...

	Thread	Nom. press.	Material	Order. code
	G 1/4 m	315	brass	7001
	G 1/4 m	1000	st.st.	7002
	G 1/2 m	250	brass	7003
	G 1/2 m	1000	st.st.	7004

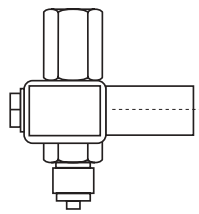
### Capillary throttle Model MZB-706/...

Capillary soldered into adaptor 	Thread	Length	Material	Order. code
	G 1/2 m	0.25 m	brass/Cu	7079
	G 1/2 m	0.50 m	brass/Cu	7080
	G 1/2 m	0.75 m	brass/Cu	7165
	G 1/2 m	0.25 m	brass/Cu	7064
	G 1/2 m	0.50 m	brass/Cu	7065
	G 1/2 m	0.75 m	brass/Cu	7066
	G 1/2 m	1.00 m	brass/Cu	7067
Filter	-	-	Cu alloy	7097
Protection cap MZB- 707/... 	For nominal dia 63 and 100 on request		Dia.	Order. code
			63	7148
			100	7149

### Seals Model MZB-713/...

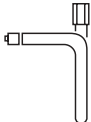
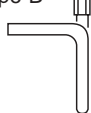


Flat seal DIN 16258 	for thread	Material	Order. code
	G 1/4	Cu	7061
	G 1/2	Cu	7040
	G 1/2	IT	7041
Pressure gauge seal	G 1/4	PTFE	7039
	G 1/2	Cu	7098
	G 1/2	Cu	7062

### Overpressure protection equipment (adjustable) Model MZB-714/...



	Range of adjustment in bar	Valve body brass, piston st.st..1.4301; order. code	Valve body st. steel, piston st.st..1.4301; order. code
	0.4 - 2.5	7115	7121
	2 - 6	7116	7122
	5 - 25	7117	7123
	20 - 60	7118	7124
	50 - 250	7119	7125
	240 - 400	7120	7126
Connection: G 1/2 female G 1/2 male			

## Accessories for pressure gauges

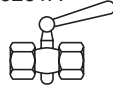
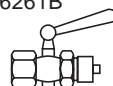
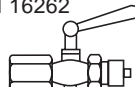
### Syphons Model MZB-705/...

DIN 16282 type A	Connection		Operating pressure	Material	Order. code	
	inlet	outlet				
	G 1/2m	Connector G 1/2 f	100	steel	7078	
	G 1/2m	Connector G 1/2 f	100	st.st.1.4571	7077	
DIN 16282 type B		Weld-on nipple	Connector G 1/2 f	100	steel	7239
		Weld-on nipple	Connector G 1/2 f	100	st.st.1.4571	7240
DIN 16282 type C		G 1/2m	Connector G 1/2 f	100	steel	7076
		G 1/2m	Connector G 1/2 f	100	st.st.1.4571	7075
DIN 16282 type D		Weld-on nipple	Connector G 1/2 f	100	steel	7241
		Weld-on nipple	Connector G 1/2 f	100	st.st.1.4571	7242

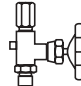
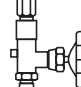
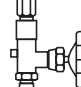
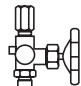
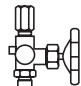
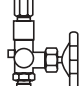
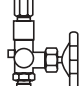
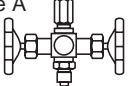
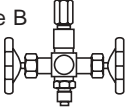
### pertaining to commercial customs

U-type	Connection		Operating pressure	Material	Order. code	
	inlet	outlet				
	G 1/2m	G 1/2m	25	steel	7243	
	G 1/2m	G 1/2m	25	st.st.1.4571	7244	
pig-tail type		G 1/2m	G 1/2m	25	steel	7245
		G 1/2m	G 1/2m	25	st.st.1.4571	7246
U-type	Weld-on nipple		25	steel	7033	
	Weld-on nipple		25	st.st.1.4571	7247	
pig-tail type	Weld-on nipple		25	steel	7032	
	Weld-on nipple		25	st.st.1.4571	7248	

### Shut-off cocks Model MZB-703/...

female-female DIN 16261A		Threat	Nom. press.	Material	Order. code
		G 1/2	16	brass	7012
		G 1/2	25	brass	7013
		G 3/8	16	brass	7014
with test flange 60 x 25 x 10		G 1/2	25	brass	7015
with test flange and gland		G 1/2	25	brass	7016
female-male DIN 16261B		Threat	Nom. press.	Material	Order. code
		G 1/2	16	brass	7017
		G 1/2	25	brass	7018
		G 1/2	25	st. steel	7147
with test flange 60 x 25 x 10		G 1/2	25	brass	7019
with test flange and gland		G 1/2	25	brass	7020
male-female DIN 16262		Threat	Nom. press.	Material	Order. code
		G 1/2	25	brass	7021
		G 1/2	25	steel	7179
		G 1/2	25	st. steel	7059
with flange 60 x 25 x 10 DIN 16263		G 1/2	25	brass	7060

### Single and dual shut-off valves to DIN 16270...16272 Model MZB-704/...

Swiveling nut - male DIN 16270 with venting					
type A		Threat	Nom. press.	Material	Order. code
		G 1/2	250	brass	7022
type B <td rowspan="2"></td> <td>G 1/2</td> <td>400</td> <td>steel</td> <td>7023</td>		G 1/2	400	steel	7023
		G 1/2	400	st.st.1.4571	7024
type A <td rowspan="3"></td> <td>G 1/2</td> <td>250</td> <td>brass</td> <td>7103</td>		G 1/2	250	brass	7103
		G 1/2	400	steel	7104
		G 1/2	400	st.st.1.4571	7105
type B <td rowspan="3"></td> <td>G 1/2</td> <td>250</td> <td>brass</td> <td>7106</td>		G 1/2	250	brass	7106
		G 1/2	400	steel	7107
		G 1/2	400	st.st.1.4571	7108
Shut-off valve with separate shut-off test connection DIN 16272 with test connection M 20 x 1.5 and shaft for instrument holder (form B)					
type A		G 1/2	250	brass	7152
		G 1/2	400	steel	7153
		G 1/2	400	st.st.1.4571	7154
type B		G 1/2	250	brass	7155
		G 1/2	400	steel	7156
		G 1/2	400	st.st.1.4571	7157

Other shut-off valves and valves also with test flange and with test connection on request.