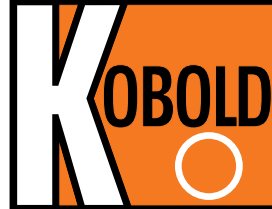


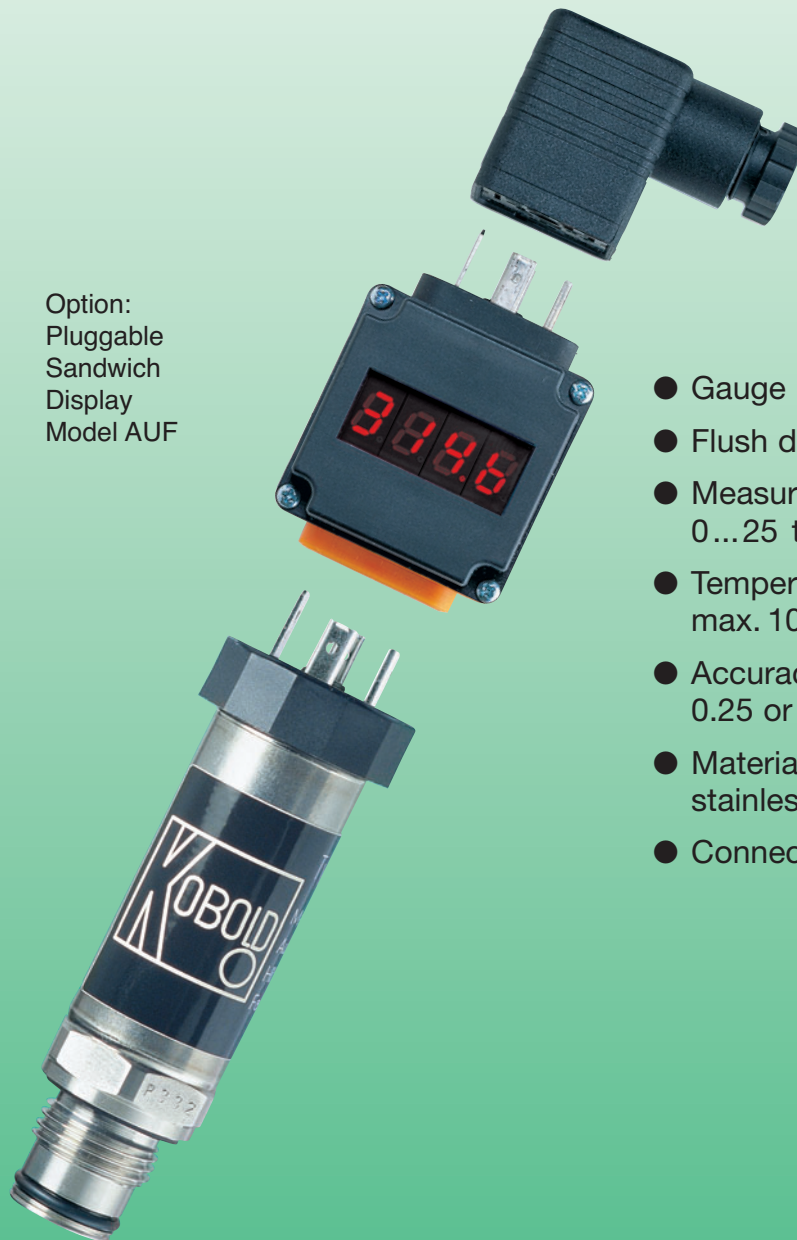


Pressure Transducer Heavy Duty Industrial Thinfilm



measuring
•
monitoring
•
analysing

Option:
Pluggable
Sandwich
Display
Model AUF



- Gauge pressure
- Flush diaphragm
- Measuring range:
0...25 to 0...600 bar
- Temperature (medium):
max. 100 °C
- Accuracy class:
0.25 or 0.5
- Material:
stainless steel
- Connection: G 1/2 male



KOBOLD offices exist in the following countries:

ARGENTINA, AUSTRIA, BELGIUM, BRAZIL, CANADA, CHINA,
FRANCE, GERMANY, GREAT BRITAIN, ITALY, MEXICO, NETHER-
LANDS, PERU, POLAND, SWITZERLAND, USA, VENEZUELA

KOBOLD Messring GmbH
Nordring 22-24
D-65719 Hofheim/Ts.
☎ +49(0)6192 299-0
Fax +49(0)6192 23398
E-Mail: info.de@kobold.com
Internet: www.kobold.com

Model:
SEN-3344
SEN-3386



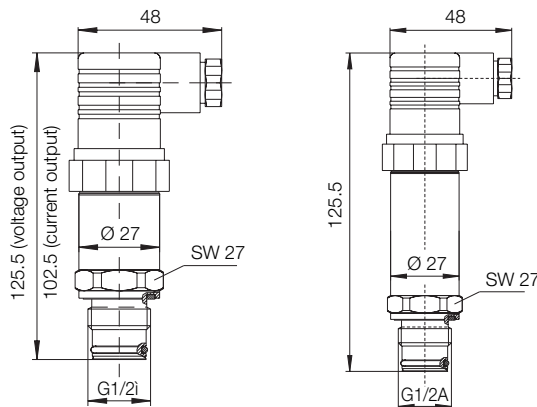
Description

The Heavy Duty Industrial pressure transducers are leaders among pressure transducers. The flush type diaphragm allows the use with aggressive, viscous or crystallizing process fluids. This type of sealing permits cleaning of the process connections without residues. Case and wetted parts are stainless steel. Therefore they are extremely resistant against aggressive media and fulfill the most demanding requirements. Two adjustment potentiometers for zero and span render possible the use in most difficult applications like measurement of the hydrostatic column.

Dimensions

SEN-3344...

SEN-3386...



Applications

- Plant and equipment manufacturing
- Process engineering
- Apparatus engineering
- Development and laboratory

Technical data

- Technology: flush diaphragm
- Pressure type: gauge pressure
- Housing: stainless steel 1.4301
- Fitting: G 1/2 male
- Wetted parts: stainless steel 1.4571, NBR
- Sensor: Thin-film
- Max. temperature: Storage: -40...+100°C
Medium: -30...+100°C
Ambient: -20...+80°C
- Pressure limitation: 2 x range, vacuum-tight
- Accuracy class: 0.25 or 0.5% (f.s.d.)
- Repeatability: ≤ ± 0.05% (f.s.d.)
- Stability (annual): ≤ ± 0.2% (f.s.d.) under reference conditions
- Electrical connection: plug DIN 43 650
- Power supply: 10...30 V_{DC}
(14...30 V_{DC} for output 0 - 10 V_{DC})
- Output: 4 - 20 mA, 0 - 5 V_{DC}, 0 - 10 V_{DC}
- Load (Ω): ≤ (U_B - 12 V)/0.02 A (for 4 - 20 mA)
> 5 kΩ for 0 - 5 V_{DC}
> 10 kΩ by 0 - 10 V_{DC}
- Response time: ≤ 1 ms
(within 10 - 90% of full scale)
- Adjustability: Zero and measuring span ± 5%
- Temp. comp. range: 0...+80°C
- Temperature drift: Zero and span ± 0.2%/10 K
- Protection: IP 65

Order Details Sensor (Example: SEN-3344 A095)

| Measuring range | Order no. Gauge pressure class 0.25 4 - 20 mA | Order no. Gauge pressure class 0.25 0 - 10 V _{DC} | Order no. Gauge pressure class 0.5 4 - 20 mA | Order no. Gauge pressure class 0.5 0 - 5 V _{DC} | Order no. Gauge pressure class 0.5 0 - 10 V _{DC} |
|-----------------|---|--|--|--|---|
| 0 to 25 bar | SEN-3344 A095 | SEN-3344/2 A095 | SEN-3386 A095 | SEN-3386/1 A095 | SEN-3386/2 A095 |
| 0 to 40 bar | SEN-3344 A105 | SEN-3344/2 A105 | SEN-3386 A105 | SEN-3386/1 A105 | SEN-3386/2 A105 |
| 0 to 60 bar | SEN-3344 A115 | SEN-3344/2 A115 | SEN-3386 A115 | SEN-3386/1 A115 | SEN-3386/2 A115 |
| 0 to 100 bar | SEN-3344 A125 | SEN-3344/2 A125 | SEN-3386 A125 | SEN-3386/1 A125 | SEN-3386/2 A125 |
| 0 to 160 bar | SEN-3344 A135 | SEN-3344/2 A135 | SEN-3386 A135 | SEN-3386/1 A135 | SEN-3386/2 A135 |
| 0 to 250 bar | SEN-3344 A145 | SEN-3344/2 A145 | SEN-3386 A145 | SEN-3386/1 A145 | SEN-3386/2 A145 |
| 0 to 400 bar | SEN-3344 A155 | SEN-3344/2 A155 | SEN-3386 A155 | SEN-3386/1 A155 | SEN-3386/2 A155 |
| 0 to 600 bar | SEN-3344 A165 | SEN-3344/2 A165 | SEN-3386 A165 | SEN-3386/1 A165 | SEN-3386/2 A165 |

Accessory

Weld on Adapter for flush diaphragm transducer

| Connection | Model |
|------------|-------------|
| G 1/2 | MZB-ESA R15 |