



- Gauge pressure
- Internal diaphragm
- Measuring range:
0...25 to 0...1000 bar
- Temperature (medium):
max. 100 °C
- Accuracy class:
0.5 or 1.0
- Material:
Stainless steel
- Connection: G 1/4 male



KOBOLD offices exist in the following countries:

ARGENTINA, AUSTRIA, BELGIUM, BRAZIL, CANADA, CHINA,
FRANCE, GERMANY, GREAT BRITAIN, ITALY, MEXICO, NETHER-
LANDS, PERU, POLAND, SWITZERLAND, USA, VENEZUELA

KOBOLD Messring GmbH
Nordring 22-24
D-65719 Hofheim/Ts.
☎ +49(0)6192 299-0
Fax +49(0)6192 23398
E-Mail: info.de@kobold.com
Internet: www.kobold.com

Model:
SEN-3349
SEN-3373



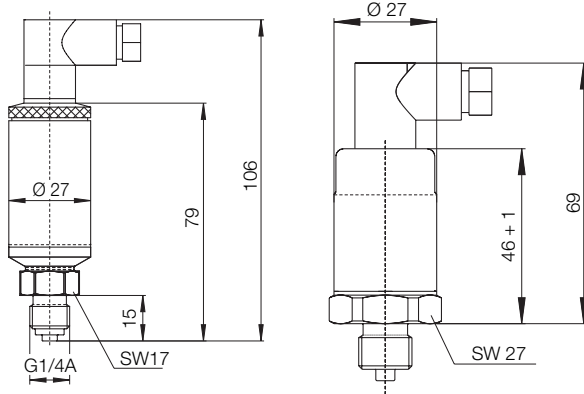
Description

Industrial Heavy Duty Compact pressure sensors are leaders among the pressure transducers. Compact, accurate, rugged with long-term stability, they reliably perform industrial pressure measurement jobs in the production, development and laboratory sectors. The compact construction with the 1/4" BSP male pressure connection permits a space-saving and lightweight installation. As a measuring element, a thinfilm sensor will be used. The materials utilized render these pressure sensors insensitive to chemically aggressive media.

Dimensions

SEN-3349..

SEN-3373



Areas of application

- Pneumatic systems
- Machine eng.
- Hydraulic systems
- Handling system
- Lifting equ.

Technical data

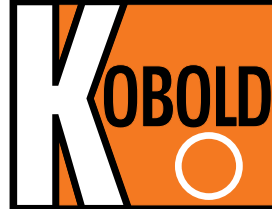
Technology: Internal diaphragm
 Pressure: Gauge pressure
 Housing: Stainless steel 1.4301
 Fitting: G 1/4 male thread acc. to DIN 16288
 Wetted parts: Stainless steel 1.4571 and 1.4542
 Sensor: Thin-film
 Max. temperature: Storage: -40...+100°C
 Medium: -30...+100°C
 Ambient: -40...+85°C
 Pressure limitation: ≤ 16 bar: 3.5 x range
 ≤ 600 bar: 2 x range,
 > 600 bar: 1.5 x range,
 Vacuum-tight x range
 Accuracy: 0.5 or 1.0
 Repeatability: ≤ ± 0.05 % (f.s.d.)
 Stability per year: ≤ ± 0.2 % (f.s.d.) under
 reference conditions
 Electr. connection: Connector DIN 43 650 C
 Mini Hirschmann plug
 G4a1 MMT (type 3373)
 Power supply: 12...30 V_{DC}
 (14...30 V_{DC} for output 0 - 10 V)
 Output: 4 - 20 mA, 0 - 10 V_{DC}
 Load (Ω): ≤ (U_B - 10V)/0.02 A (for 4 - 20 mA)
 >10 kΩ for 0 - 10 V
 Response time: ≤ 1 ms (within 10 - 90 % of full scale)
 Adjustability: Zero and span to ± 5 %
 (only for SEN-3349...)
 Temp. comp. range: 0...+80°C
 Temperature Drift: Zero and span
 ± 0.3 % / 10 K
 Protection: IP 65

Order Details Sensor (Example: SEN-3349 A095)

Measuring range	Order no. Gauge pressure class 0.5 4 - 20 mA	Order no. Gauge pressure class 0.5 0 - 10 V _{DC}	Order no. Gauge pressure class 1.0 4 - 20 mA	Order no. Gauge pressure class 1.0 0 - 10 V _{DC}
0 to 25 bar	SEN-3349 A095	SEN-3349/1 A095	SEN-3373 A095	SEN-3373/1 A095
0 to 40 bar	SEN-3349 A105	SEN-3349/1 A105	SEN-3373 A105	SEN-3373/1 A105
0 to 60 bar	SEN-3349 A115	SEN-3349/1 A115	SEN-3373 A115	SEN-3373/1 A115
0 to 100 bar	SEN-3349 A125	SEN-3349/1 A125	SEN-3373 A125	SEN-3373/1 A125
0 to 160 bar	SEN-3349 A135	SEN-3349/1 A135	SEN-3373 A135	SEN-3373/1 A135
0 to 250 bar	SEN-3349 A145	SEN-3349/1 A145	SEN-3373 A145	SEN-3373/1 A145
0 to 400 bar	SEN-3349 A155	SEN-3349/1 A155	SEN-3373 A155	SEN-3373/1 A155
0 to 600 bar	SEN-3349 A165	SEN-3349/1 A165	SEN-3373 A165	SEN-3373/1 A165
0 to 1000 bar	SEN-3349 A175	SEN-3349/1 A175	SEN-3373 A175	SEN-3373/1 A175



Pressure Transducer Heavy Duty Industrial Thinfilm



measuring
•
monitoring
•
analysing

Option:
Pluggable
Sandwich
Display
Model AUF



- Gauge pressure
- Internal diaphragm
- Measuring range:
0...25 to 0...1000 bar
- Temperature (medium):
max. 100 °C
- Accuracy class:
±0.25 or 0.5
- Material:
stainless steel
- Connection: G 1/2 male



KOBOLD offices exist in the following countries:

ARGENTINA, AUSTRIA, BELGIUM, BRAZIL, CANADA, CHINA,
FRANCE, GERMANY, GREAT BRITAIN, ITALY, MEXICO, NETHER-
LANDS, PERU, POLAND, SWITZERLAND, USA, VENEZUELA

KOBOLD Messring GmbH
Nordring 22-24
D-65719 Hofheim/Ts.
☎ +49(0)6192 299-0
Fax +49(0)6192 23398
E-Mail: info.de@kobold.com
Internet: www.kobold.com

Model:
SEN-3376
SEN-3377



Description

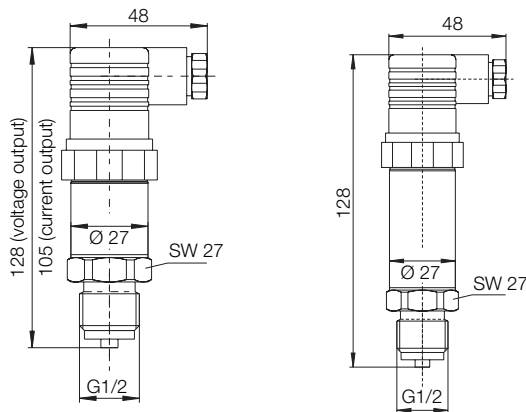
The Heavy Duty Industrial pressure transducers are the leaders among the pressure transducers. The thin-film technology of the sensor element fulfil the most demanding requirements.

Case and wetted parts are stainless steel. Therefore they are extremely resistant against aggressive process fluids. The sensor is unaffected by shock or vibration. Two adjustment potentiometers permits the use of these pressure transducers in most difficult applications like measurement of the hydrostatic column.

Dimensions

SEN-3376...

SEN-3377...



Applications

- Process engineering
- Hydraulic engineering
- Apparatus engineering
- Development and laboratory
- Pneumatic

Technical data

- Technology: internal diaphragm
- Pressure type: gauge pressure
- Housing: stainless steel 1.4301
- Connection: G 1/2 male thread acc. to DIN 16288
- Wetted parts: stainless steel 1.4571 and 1.4542
- Sensor: Thin-film
- Max. Temperature: Storage: -40...+100 °C
Medium: -30...+100 °C
Ambient: -20...+80 °C
- Pressure limitation: ≤ 16 bar: 3.5 x range
≤ 600 bar: 2 x range,
> 600 bar: 1.5 x range, vacuum-tight
- Accuracy: ±0.25 or 0.5 % (f.s.d.)
- Repeatability: ≤ ± 0.05 % (f.s.d.)
- Stability per year: ≤ ± 0.2 % of full scale under reference conditions
- Electr. connection: Connector DIN 43 650
- Power supply: 10...30 V_{DC}
(14...30 V_{DC} for output 0 - 10 V)
- Output: 4 - 20 mA, 0 - 5 V_{DC}, 0 - 10 V_{DC}
- Load (Ω): ≤ (U_B - 10V) / 0.02 A (for 4 - 20 mA)
> 5 kΩ for 0 - 5 V
> 10 kΩ for 0 - 10 V
- Response time: ≤ 1 ms (within 10 - 90 % of full scale)
- Adjustability range: Zero and span ± 5 %
- Temp. comp. range: 0...+80 °C
- Temperature drift: Zero and span
± 0.2 % / 10 K
- Protection: IP 65

Order Details Sensor (Example: SEN-3376 A095)

Measuring range	Order no. Gauge pressure class 0.5 4 - 20 mA	Order no. Gauge pressure class 0.5 0 - 5 V _{DC}	Order no. Gauge pressure class 0.5 0 - 10 V _{DC}	Order no. Gauge pressure class 0.25 4 - 20 mA	Order no. Gauge pressure class 0.25 0 - 5 V _{DC}	Order no. Gauge pressure class 0.25 0 - 10 V _{DC}
0 to 25 bar	SEN-3376 A095	SEN-3376/1 A095	SEN-3376/2 A095	SEN-3377 A095	SEN-3377/1 A095	SEN-3377/2 A095
0 to 40 bar	SEN-3376 A105	SEN-3376/1 A105	SEN-3376/2 A105	SEN-3377 A105	SEN-3377/1 A105	SEN-3377/2 A105
0 to 60 bar	SEN-3376 A115	SEN-3376/1 A115	SEN-3376/2 A115	SEN-3377 A115	SEN-3377/1 A115	SEN-3377/2 A115
0 to 100 bar	SEN-3376 A125	SEN-3376/1 A125	SEN-3376/2 A125	SEN-3377 A125	SEN-3377/1 A125	SEN-3377/2 A125
0 to 160 bar	SEN-3376 A135	SEN-3376/1 A135	SEN-3376/2 A135	SEN-3377 A135	SEN-3377/1 A135	SEN-3377/2 A135
0 to 250 bar	SEN-3376 A145	SEN-3376/1 A145	SEN-3376/2 A145	SEN-3377 A145	SEN-3377/1 A145	SEN-3377/2 A145
0 to 400 bar	SEN-3376 A155	SEN-3376/1 A155	SEN-3376/2 A155	SEN-3377 A155	SEN-3377/1 A155	SEN-3377/2 A155
0 to 600 bar	SEN-3376 A165	SEN-3376/1 A165	SEN-3376/2 A165	SEN-3377 A165	SEN-3377/1 A165	SEN-3377/2 A165
0 to 1000 bar	SEN-3376 A175	SEN-3376/1 A175	SEN-3376/2 A175	SEN-3377 A175	SEN-3377/1 A175	SEN-3377/2 A175