



- 4 ½ digit LED display
- 2 x 16 digit LC display
- Frequency, temperature and pressure input
- 2 limit values
- Analogue or pulse output
- Sensor supply
- User scaling
- MIN/MAX memory
- Sensor linearization



KOBOLD offices exist in the following countries:

ARGENTINA, AUSTRIA, BELGIUM, BRAZIL, CANADA, CHINA,
FRANCE, GERMANY, GREAT BRITAIN, ITALY, MEXICO, NETHER-
LANDS, PERU, POLAND, SWITZERLAND, USA, VENEZUELA

KOBOLD Messring GmbH
Nordring 22-24
D-65719 Hofheim/Ts.
☎ +49 (0) 61 92 299-0
Fax +49 (0) 61 92 233 98
E-Mail: info.de@kobold.com
Internet: www.kobold.com

Model:
ADI-Z



Description

The new KOBOLD universal dosing device ADI-Z offers a range of functions such as indication of flow rate, flow rate counter, dosing functions, and limit value monitoring of pressure and temperature in a single device.

You can read the instantaneous value of the flow rate on the 4 1/2-digit digital display. The actual cumulated throughput along with temperature and pressure from two external sensor inputs are displayed on the 2-line LC display.

A convenient batch function controls two switching outputs in single or loopback mode. Two control inputs are also available for remote start/stop.

The input signals are digitized and processed in a state-of-the-art μ -processor. Display scaling, switching point setting, memory function and linearization may be selected with three programming buttons.

As a flow controller the standard device comes with the following functions:

- Scaling by teach-in or pulse rate entry
- MIN./MAX. memory
- Sensor linearization

Along with the standard functions the device can also be supplied with the following options:

- Analogue output 0(4) - 20 mA
- Frequency output 0 to 1000 Hz
- Sensor supply 5/12/24 V_{DC}

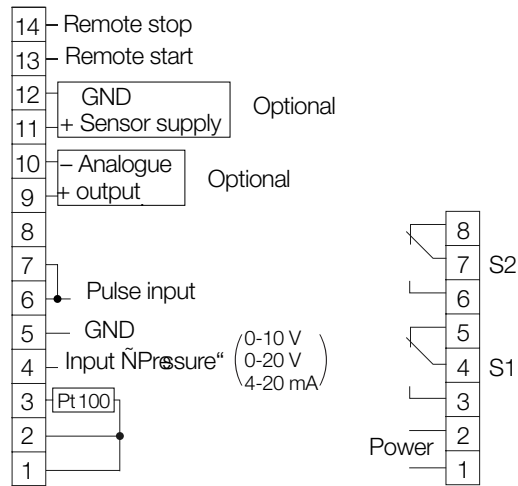
Technical Details

| | |
|----------------------------------|---|
| Digital display for flow rate: | 4 1/2-digit, 14 mm high red LED display, programmable decimal-point setting |
| Summator: | LC display, 8-digit, with reset, two programmable decimal point positions; Units: [l], [m ³], [galuk], [galus] |
| Pressure read-out: | LC display, 4-digit, 1 programmable decimal point position [bar], [psi], [Mpa] units |
| Temperature display: | LC display, 4-digit, [°C], [F] units |
| Scanning frequency/display time: | s ⁻¹ |
| Inputs: | |
| • Frequency: | frequency input 0.5-2000 Hz (PNP/NPN/Namur/TTL) |
| • Pressure: | 4 - 20 mA (Ri < 200 Ω) |
| • Temperature: | Pt 100, 3-wire |
| Control inputs: | 1x remote start, 1x remote stop, TTL level (control level: 5-40 V _{DC} ; $\geq 0,5$ s) |
| Sensor supply: (option) | 5 V / 15 mA, 12 V _{DC} / 30 mA and 24 V _{DC} / 50 mA |
| Power supply | 230, 115, 48, 24 V _{AC} ± 15 % 50 - 60 Hz, 24 V _{DC} ± 20 % |
| Limit values: | 2 changeover relay contacts max. 115/230 V _{AC} / 5 A or 30 V _{DC} / 5 A (cos $\varphi = 1$) or 2 transistor outputs passive, max. 40 V _{DC} , that can be assigned to frequency, pressure, temperature or batch function |
| Analogue output: (optional): | 0 - 20 mA, 4 - 20 mA (max. load: 500 Ω) and 0 - 10 V _{DC} , electr. isolated |
| Temperature range: | -20 to +80 °C operating temperature -20 to +80 °C storage temperature |
| Dimensions: | 96 x 96 x 105 mm (W x H x D) incl. screw-type terminal (panel mounting) 116 x 116 x 123 mm (W x H x D) (field housing) |
| Cut-out-dimensions: | 92 ^{+0,8} x 92 ^{+0,8} mm (panel mounting) |
| Case material: | Glass-fibre-reinforced Noryl (panel mounting), Aluminium (powder coated) / PA 66 (field housing) |
| Protection type: | Front panel IP 40, terminals IP 00 (panel mounting), IP 65 (field housing) |
| Mounting: | Fastening clip form B (DIN 43 835) (panel mounting) wall and pipe mounting (field housing) |
| Connection: | Pluggable terminal block (panel mounting), cable connection (field housing) |
| Weight: | approx. 700 g (panel mounting) approx. 1600 g (field housing) |

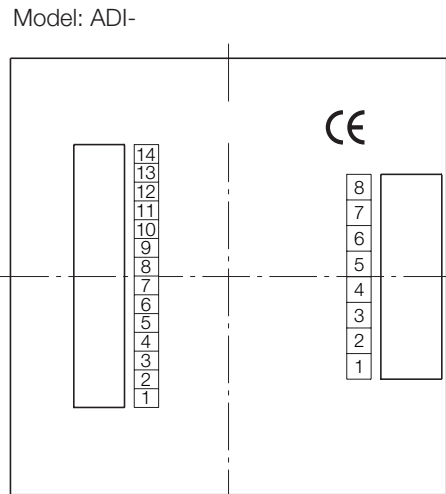
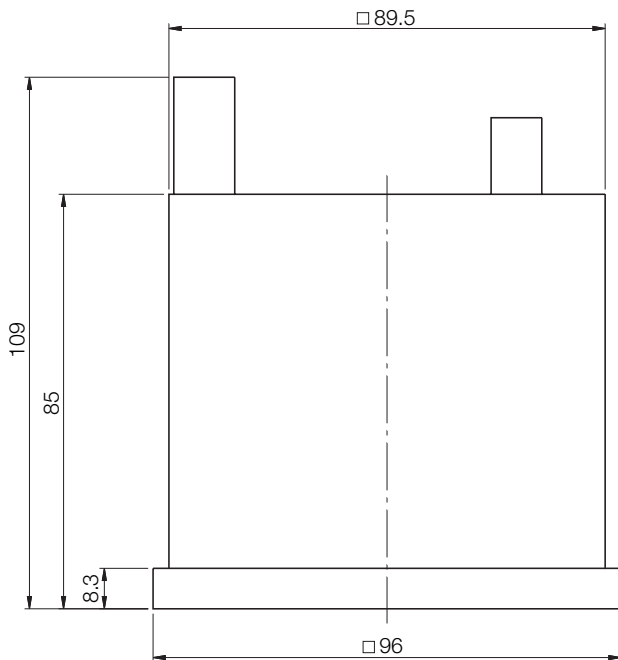
Order Details (Example: ADI-ZF 0 4 W 2 X)

| Model | Description | Supply | Output | Sensor supply | Switching contact | Housing |
|----------|---|--|---|--|---|---|
| ADI-ZF.. | Dosing Device 96 x 96 mm with frequency, temperature and pressure input, sensor linearization Min/Max memory | ..0.. = 230 V _{AC} ..4.. = 115 V _{AC} ..1.. = 48 V _{AC} ..2.. = 24 V _{AC} ..3.. = 24 V _{DC} | ..0.. = without ..1.. = 0-10 V ..2.. = 0-20 mA ..4.. = 4-20 mA | ..0.. = without ..U.. = 5 V _{DC} ..V.. = 12 V _{DC} ..W.. = 24 V _{DC} | ..2.. = 2 change- over con- tacts ..6.. = transistor, passive | ..X = panel mounting ..F = field housing ..W = field housing with wall mounting; mounted in 90° steps ..S = field housing with wall mounting; finely rotatable ..R = field housing with pipe mounting; for 2" piping |

Electrical Connection



Dimensions



Differential Pressure Flowmeter

- Measuring Range:
3-25 to 399-2000 L/min water
7.5-42.5 to 700-2800 m³_N/h air
- Connection: G 1/2...G 3
- Accuracy:
± 3% of F.S.
- Material:
Aluminium-
bronze or St. St.
- Mechanical pointer display,
digital display,
bargraph display
- Analogue output,
contacts



KOBOLD-Manufacturer for Innovative Instrumentation

KOBOLD Messring GmbH · Nordring 22-24 · D-65719 Hofheim/Ts.
☎ 06192 299-0 · Fax 06192 23398 · E-mail: info.de@kobold.com
Internet: www.kobold.com