

Sight Glass with Drip Tube Threaded Connection



- p_{max} 40 bar, t_{max} 280°C
- Connection:
G 1/4... G 2, 1/4" NPT... 2" NPT
- Material:
Grey cast iron, cast steel,
stainless steel



KOBOLD offices exist in the following countries:

ARGENTINA, AUSTRIA, BELGIUM, BRAZIL, CANADA, CHINA,
COLOMBIA, FRANCE, GREAT BRITAIN, ITALY, NETHERLANDS,
POLAND, SWITZERLAND, USA, VENEZUELA

KOBOLD Messring GmbH
Nordring 22-24
D-65719 Hofheim/Ts.
☎ (06192) 299-0
Fax (06192) 23398
E-mail: info.de@kobold.com
Internet: www.kobold.com

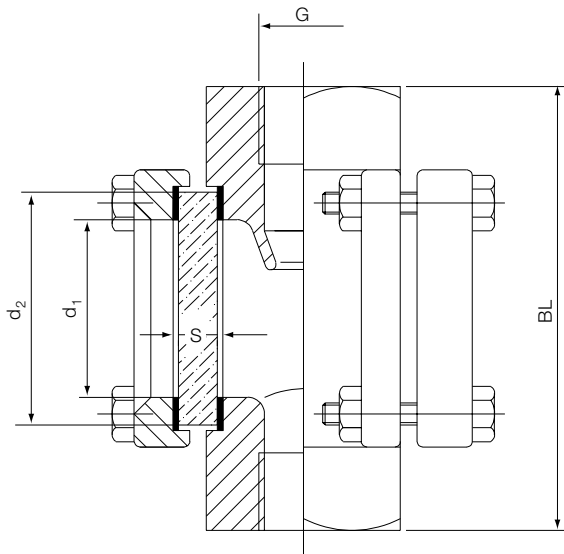
Model:
DAT-1



Materials / Mounting position

	DAT-11	DAT-13	DAT-12
Housing:	Grey cast iron 0.6025	Cast steel 1.0619	stainless steel 1.4408
Cover plates:	Grey cast iron 0.6025	C 22.8	stainless steel 1.4301
Sight glass:	Hart glass DIN 8902 (upto 150°C) Option: Borosilicate glass DIN 7080 (upto 280°C)		
Screws	Zinc plated steel		stainless steel
Seals:	Graphit (PTFE or on request)		
Mounting position:	Any position, Preferably vertical, flow from top		

Dimensions (Material Grey cast iron) for Pressure PN 16



G	BL	d 1	d 2	Glass thickness (S) PN 16	approx. weight DAT-11...
G 1/4 G 3/8 G 1/2	100	32	45	10	1.7 kg
G 3/4 G 1	120	45	63	10	2.5 kg
G 1 1/4 G 1 1/2	150	65	80	12	5.2 kg
G 2	180	80	100	15	6.7 kg

Dimensions (Material Cast steel or stainless steel) for Pressure rating PN 16 (PN 25 / PN 40 on request)

G	BL	d 1	d 2	Glass thickness (S) PN 16	approx. weight DAT-12... DAT-13...
G 1/4 G 3/8 G 1/2 G 3/4	100	45	63	10	2.2 kg
G 1 G 1 1/4	130	65	80	12	4.0 kg
G 1 1/2	150	65	80	12	4.6 kg
G 2	230	80	100	15	7.6 kg

Order data (Example: DAT-1101H R08)

	DAR-11	DAR-13	DAR-12	Connection		Option
	Hart glass, Graphite-seal			G-thread	NPT-thread	
BSP	Grey cast iron	Cast steel	Stainless steel			add option letter to order number
1/4"	DAT-1101H..	DAT-1301H..	DAT-1201H..	R08	N08	Option »B« Borosilicate glass, Graphite-seal Option »P« = 25 bar for DAT-12...and DAT-13... Option »Q« = 40 bar for DAT-12...and DAT-13...
3/8"	DAT-1102H..	DAT-1302H..	DAT-1202H..	R10	N10	
1/2"	DAT-1103H..	DAT-1303H..	DAT-1203H..	R15	N15	
3/4"	DAT-1104H..	DAT-1304H..	DAT-1204H..	R20	N20	
1"	DAT-1105H..	DAT-1305H..	DAT-1205H..	R25	N25	
1 1/4"	DAT-1106H..	DAT-1306H..	DAT-1206H..	R32	N32	
1 1/2"	DAT-1107H..	DAT-1307H..	DAT-1207H..	R40	N40	
2"	DAT-1108H..	DAT-1308H..	DAT-1208H..	R50	N50	

Sight Glass with Drip Tube Flanged Connection



- p_{max} 40 bar, t_{max} 280 °C
- Connection: DN 15...DN 200
ANSI-Flange on request
- Material:
Grey cast iron, cast steel,
stainless steel



KOBOLD offices exist in the following countries:

ARGENTINA, AUSTRIA, BELGIUM, BRAZIL, CANADA, CHINA,
COLOMBIA, FRANCE, GREAT BRITAIN, ITALY, NETHERLANDS,
POLAND, SWITZERLAND, USA, VENEZUELA

KOBOLD Messring GmbH
Nordring 22-24
D-65719 Hofheim/Ts.
☎ (06192) 299-0
Fax (06192) 23398
E-mail: info.de@kobold.com
Internet: www.kobold.com

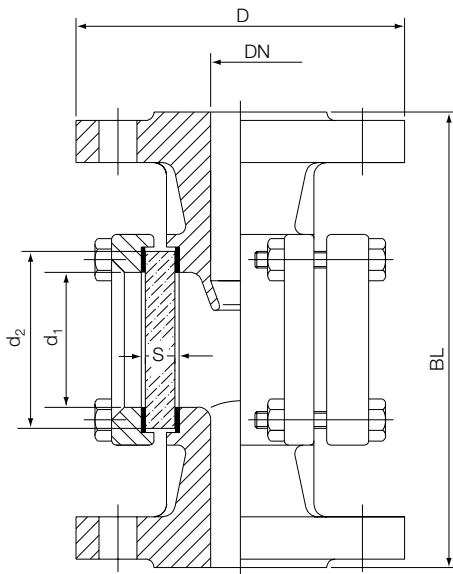
Model:
DAT-2



Material / Mounting position

	DAT-21	DAT-23	DAT-22
Housing:	Grey cast iron 0.6025	cast steel 1.0619	stainless steel 1.4408
Cover plates:	Grey c. iron 0.6025 / R St 37-2	C 22.8 / R St 37-2	stainless steel 1.4301
Sight glass:	Hart glass DIN 8902 (upto 150 °C); Option: Borosilicate glass DIN 7080 (upto 280 °C)		
Screws:	Zinc plated steel		stainless steel
Seals:	Graphite (PTFE or other on request)		
Mounting position:	Any position, Preferably vertical, flow from top		

Dimensions for Pressure rating PN 16



DN	D	BL	d 1	d 2	Glass thickness (S) PN 16*	approx. weight (kg)	
						DAT 21...	DAT-22... DAT-23...
15	95	130	32	45	10	3.3	4.1
20	105	150	32	45	10	4.1	4.2
25	115	160	48	63	10	4.4	6.5
32	140	180	65	80	12	8.3	8.3
40	150	200	65	80	12	8.3	8.5
50	165	230	80	100	15	12.8	11.0
65	185	290	80	100	15	22.6	23.0
80	200	310	100	125	20	29.9	29.5
100	220	350	125	150	25	35.0	36.0
125	250	400	150	175	25	47.0	47.0
150	285	480	175	200	25**	56.0	56.0
200	340	600	175	200	25**	98.0	98.0

* Pressure rating PN 25 / PN 40 on request!
 **with Instrument glass only PN 10, PN 16 with Option »B« possible

Order data (Example: DAT-2201HF15)

	DAT-21	DAT-23	DAT-22	Connection		Option
	Hart glass, Graphite-seal			DIN-Flange	ANSI-Flange (only on request)	
BSP	Grey cast iron	Cast steel	St. steel			add option letter to order number
15	DAT-2101H..	DAT-2301H..	DAT-2201H..	F15	A15	Option »B« Borosilicate glass, Graphite-seals Option »DIN« Construction acc. DIN 3237 on request Option »P« = 25 bar for DAT-22.../23... Option »Q« = 40 bar for DAT-22.../23...
20	DAT-2102H..	DAT-2302H..	DAT-2202H..	F20	A20	
25	DAT-2103H..	DAT-2303H..	DAT-2203H..	F25	A25	
32	DAT-2104H..	DAT-2304H..	DAT-2204H..	F32	A32	
40	DAT-2105H..	DAT-2305H..	DAT-2205H..	F40	A40	
50	DAT-2106H..	DAT-2306H..	DAT-2206H..	F50	A50	
65	DAT-2107H..	DAT-2307H..	DAT-2207H..	F65	A65	
80	DAT-2108H..	DAT-2308H..	DAT-2208H..	F80	A80	
100	DAT-2109H..	DAT-2309H..	DAT-2209H..	F1H	A1H	
125	DAT-2110H..	DAT-2310H..	DAT-2210H..	F1Z	A1Z	
150**	DAT-2111H..	DAT-2311H..	DAT-2211H..	F1F	A1F	
200**	DAT-2112H..	DAT-2312H..	DAT-2212H..	F2H	A2H	

**with Instrument glass only PN 10, PN 16 with Option »B« possible