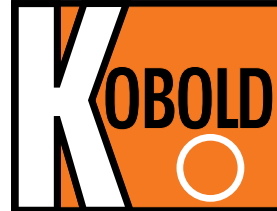




Butterfly Isolating Valves

Manually operated



measuring
•
monitoring
•
analysing



- p_{max.} PN 16
- t_{max.} +180 °C
- Connection:
wafer flange housing,
DN 40 to DN 300
- Body:
GGG-40, aluminum
- Butterfly disc:
stainless steel, St C22
- Seals: NBR, EPDM, FKM
- DN 40 to DN 300



KOBOLD offices exist in the following countries:

ARGENTINA, AUSTRIA, BELGIUM, BRAZIL, CANADA, CHINA,
FRANCE, GERMANY, GREAT BRITAIN, ITALY, NETHERLANDS,
PERU, POLAND, SWITZERLAND, USA, VENEZUELA

KOBOLD Messring GmbH
Nordring 22-24
D-65719 Hofheim/Ts.
☎ (06192) 299-0
Fax (06192) 23398
E-mail: info.de@kobold.com
Internet: www.kobold.com

Model:
KLA-TA



Design

One-piece construction; for mounting between two flanges.

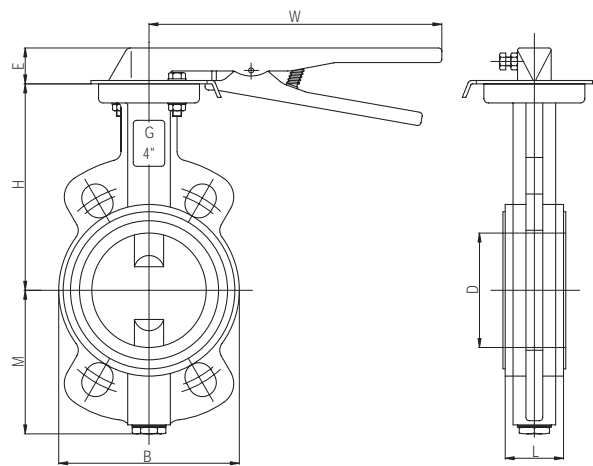
Materials

Body	aluminum alloy, GGG-40
Disc	1.4408, St C22 (KLA-TAH only)
Shaft seal	NBR
Shaft	stainless steel 1.4016
Bushing	bronze
Sleeve	EPDM, FKM
Handle	aluminium alloy

Technical details

Connections	flanges DN 40 to DN 300
Temperature range	EPDM: -35 °C to +130 °C FKM: -20 °C to +200 °C
operating pressure between 2 flanges	max. 16 bar, max. 10 bar (alu-housing)
dead end service	max. 6 bar
Operation	Rotation of the handle through 90°, with 10 snap-in positions.

KLA-TA



Dimensions

Flange DN	H mm	M mm	B mm	D mm	L mm	E mm	W mm	Weight kg
40	130	75	84	49	33	40	265	2.2
50	138	81	102	55	43	40	265	3.0
65	148	89	116	68	46	40	265	3.5
80	158	110	133	81	46	40	265	4.0
100	173	128	160	101	52	40	265	6.0
125	186	140	190	126	56	40	265	7.2
150	202	155	214	150	56	40	265	9.5
200	240	190	265	200	60	47	350	18.0
250	270	220	320	250	68	47	350	25.0
300	300	247	373	298	78	47	350	35.0

Order details (example: KLA-TA 7 E F40)

Order no.	Body	Seal	Connection size
KLA-TA	7 = Aluminium H = GGG-40	E = EPDM F = FKM	F40 = DN 40 F50 = DN 50 F65 = DN 65 F80 = DN 80 F1H = DN 100 F1Z = DN 125 F1F = DN 150 F2H = DN 200 F2F = DN 250 F3H = DN 300