



Ball Valve Shut-Off for Measuring Device*

for Sensors with Screw Thread G 1/4 and G 1/2



measuring
•
monitoring
•
analysing



- pmax. PN 25
 - tmax. +120 °C
 - Connections: Rp 1/2 to Rp 2
 - Sensor thread:
G 1/4 and G 1/2 as per DIN 3852
 - Sensor replacement possible
without draining the piping
 - No other ball valve required
 - Integrated sensor mounting
– the shut-off and the sensor
are all in one unit
 - Space-saving compact design
- *supplied without sensor



KOBOLD offices exist in the following countries:

ARGENTINA, AUSTRIA, BELGIUM, BRAZIL, CANADA, CHINA,
FRANCE, GERMANY, GREAT BRITAIN, ITALY, NETHERLANDS,
PERU, POLAND, SWITZERLAND, USA, VENEZUELA

KOBOLD Messring GmbH
Nordring 22-24
D-65719 Hofheim/Ts.
☎ (06192) 299-0
Fax (06192) 23398
E-mail: info.de@kobold.com
Internet: www.kobold.com

Model:
KUG-S



Application

When used in conjunction with our KUG-S ball valve shut-offs for measuring devices, KOBOLD sensors for measuring such variables as pressure, temperature or flow can be installed as part of a compact unit in pipe systems. This system allows easy and economical sensor removal for maintenance or replacement without having to drain the pipe system.

This shut-off valve features a large ball with a groove that holds the sensor. This design allows sensors of the same length to be installed in valves of different nominal diameters.

Design

Threaded construction with full-bore.

Technical details

- Process connections female thread Rp 1/2 to Rp 2 (DIN 2999)
- Sensor thread G 1/4 and G 1/2 (DIN 3852)
- Temperature range max. +120°C
- Nominal pressure PN 25
- Operation 90° rotation of handle

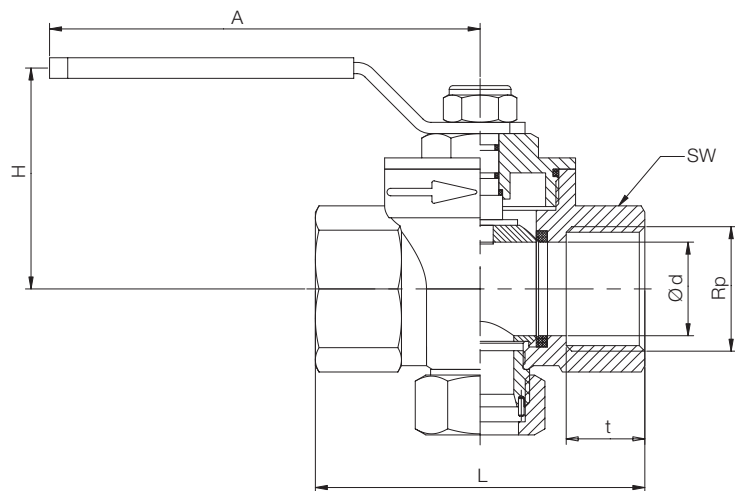
Materials

- Body brass, nickel-plated
- Ball brass, chrome-plated
- Ball gasket PTFE, pure
- Spindle gasket EPDM
- Handle steel, zinc-coated with PVC-grip, red

Scope of supply

Shut-off for measuring device, sealing plug and gasket

KUG-S



Dimensions and ordering details (example: KUG-S1R 15)

Screw thread Rp	Order no. sensor G 1/4	Order no. sensor G 1/2	DN mm	Ø d mm	L mm	t mm	H mm	SW mm	A mm
1/2	KUG-S1R 15	KUG-S2R 15*	15	20	90	18	50	32	95
3/4	KUG-S1R 20	KUG-S2R 20	20	20	73	18	50	32	95
1	KUG-S1R 25	KUG-S2R 25	25	25	88	21	59	41	115
1 1/4	-	KUG-S2R 32	32	32	100	24	65	50	115
1 1/2	-	KUG-S2R 40	40	40	110	24	77	54	150
2	-	KUG-S2R 50	50	50	131	28	85	70	150

*equal to KUG-S2R20 with reducer to Rp 1/2