



- 4 1/2-position LED display
- 2 x 16-position LC display
- Frequency, temperature and pressure input
- Two limit values
- Analogue output
- Sensor power supply
- Scalable
- MIN./MAX. memory
- Sensor linearization



KOBOLD offices exist in the following countries:

ARGENTINA, AUSTRIA, BELGIUM, BRAZIL, CANADA, CHINA,
 FRANCE, GERMANY, GREAT BRITAIN, ITALY, MEXICO, NETHER-
 LANDS, PERU, POLAND, SWITZERLAND, USA, VENEZUELA

KOBOLD Messring GmbH
 Nordring 22-24
 D-65719 Hofheim/Ts.
 ☎ +49(0)6192 299-0
 Fax +49(0)6192 23398
 E-Mail: info.de@kobold.com
 Internet: www.kobold.com

Model:
 ADI-ZF



Description

The new KOBOLD universal dosing device ADI-Z offers a range of functions such as indication of flow rate, flow rate meter, dosing functions, and limit value monitoring of pressure and temperature in a single device.

You can read the instantaneous value of the flow rate on the 4½-position digital display. The actual cumulated throughput along with temperature and pressure from two external sensor inputs are displayed on the 2-line LC display. A convenient batch function controls two switching outputs in single or loopback mode. Two control inputs are also available for remote start/stop.

The input signals are digitized and processed by a micro-processor. You may scale the display, set the switching point, call up memory and linearization functions with three programming buttons.

As a flow controller the standard device comes with the following functions:

- Scaling by teach-in or pulse rate entry
- MIN./MAX. memory
- Sensor linearization
- 2 Control inputs
- 2 Switching outputs
- Measuring: pressure, temperature, flow

Along with the standard functions the device can also be supplied with the following options:

- Analogue output 0(4) - 20 mA
- Sensor supply 5/12/24 V_{DC}

Technical Details

Digital display for flow rate:	4½-position, 14 mm high red LED display, programmable decimal-point setting
Counter:	LC display, 8-position, with reset, two programmable decimal point positions; Units: [L], [m³], [gal uk], [gal us]
Pressure read-out:	LC display, 4-position, 1 programmable decimal point position [bar], [psi], [MPa] units
Temperature display:	LC display, 4-position, [°C], [°F] units

Technical Details (continues)

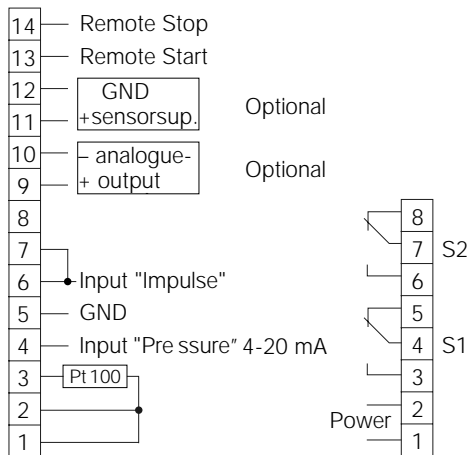
Scanning frequency/ display time:	1 s ⁻¹
Inputs	
• Frequency:	frequency input 0.5-2000 Hz (PNP/NPN/Namur/TTL)
• Pressure:	4 - 20 mA (Ri < 200 Ω)
• Temperature:	Pt 100, 3-wire
Control inputs:	1x remote start, 1x remote stop, TTL level (5-40 24 V _{DC} ; ≥ 0,5 s)
Sensor supply: (optional)	5 V/15 mA, 12 V _{DC} /30 mA and 24 V _{DC} /50 mA
Power supply:	230, 115, 48, 24 V _{AC} ± 15 % 50 - 60 Hz, 24 V _{DC} ± 20 %
Limit values:	2 changeover relay contacts max. 115/230 V _{AC} /5A or 30 V _{DC} /5 A (cosφ = 1) or 2 transistor outputs, passive max. 40 V _{DC} , that can be assigned to frequency, pressure, temperature or batch function
Analogue output: (optional):	0 - 20 mA, 4 - 20 mA (max. load: 500 Ω) and 0-10 V _{DC} electrically isolated; for flow
Temperature range:	-20 to +80 °C operating temperature -20 to +80 °C storage temperature e
Dimensions:	96 x 96 x 105 mm (WxHxD) including screw terminal (panel mounting); 116 x 116 x 123 mm (WxHxD) (field housing)
Cut-out dimension:	92 ^{+0,8} x 92 ^{+0,8} mm (panel mounting)
Housing material:	glass-fiber-reinforced Noryl (panel mounting) Aluminium (powder coated)/ PA 66 (field housing)
Protection type:	IP 40 at the front, IP 00 for terminals (panel mounting); IP 65 (field housing)
Mounting:	mounting clip, form type B (DIN 43 835) (panel mounting); wall- and pipe mounting (field housing)
Connection:	pluggable terminal block (panel mounting); screwed cable (field housing)
Weight:	approx. 700 g (panel mounting), approx. 1600 g (field housing)



Ordering details (example: ADI-ZF 0 4 W 2 X)

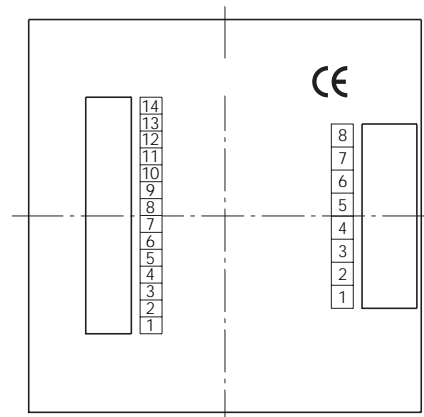
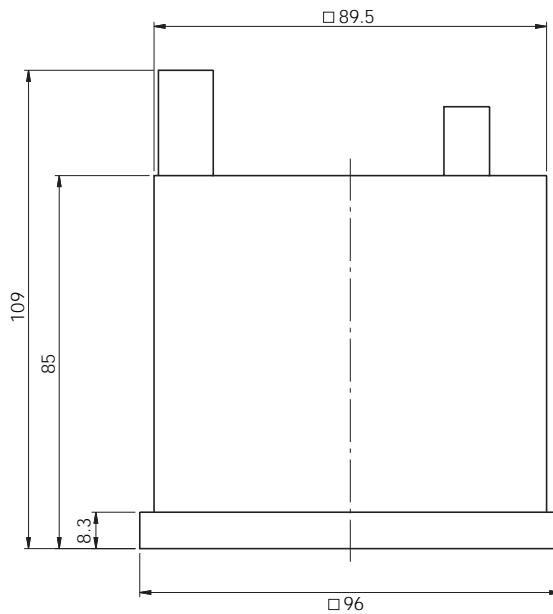
Model	Description	Power supply	Output	Sensor supply	Switch contact	Housing
ADI-ZF..	Batch controller 96 x 96 mm with frequency, temperature and pressure input, sensor linearization min./max. memory	..0.. = 230 V _{AC} ..4.. = 115 V _{AC} ..1.. = 48 V _{AC} ..2.. = 24 V _{AC} ..3.. = 24 V _{DC}	..0.. = without ..1.. = 0-10 V ..2.. = 0-20 mA ..4.. = 4-20 mA	..0.. = without ..U.. = 5 V _{DC} ..V.. = 12 V _{DC} ..W.. = 24 V _{DC}	..2.. = 2 change- over contacts ..6.. = 2 open collector	..X = panel mounting ..F = field housing ..W = field housing with wall mounting; can be mounted at 90° intervals ..S = field housing with wall mounting; smoothly rotatable ..R = field housing with pipe fastening; for 2" pipes

Electrical connection



Dimensions

Panel mounting



Dimensions

Field housing

