



- 12- and 17-pole mating connector
- Shaft model:
metal bellows coupling,
angle flange,
quadratric flange,
Fastening cam
for synchro flange
- Hollow shaft model:
stator coupling,
mounting set



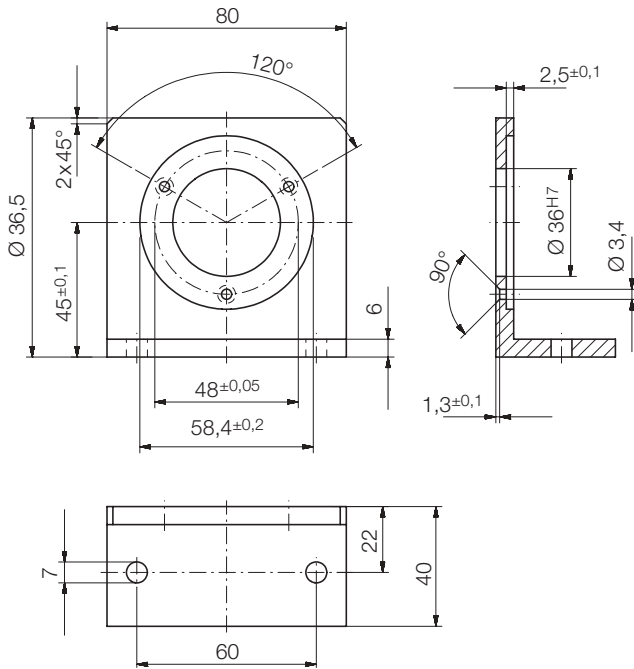
KOBOLD offices exist in the following countries:

**ARGENTINA, AUSTRIA, BELGIUM, BRAZIL, CANADA,
CHINA, COLOMBIA, FRANCE, GREAT BRITAIN, NETHERLANDS,
POLAND, SWITZERLAND, USA, VENEZUELA**

KOBOLD Messring GmbH
Nordring 22-24
D-65719 Hofheim/Ts.
☎ (06192) 299-0
Fax (06192) 23398
E-mail: info.de@kobold.com
Internet: www.kobold.com

Model:
ZDZ

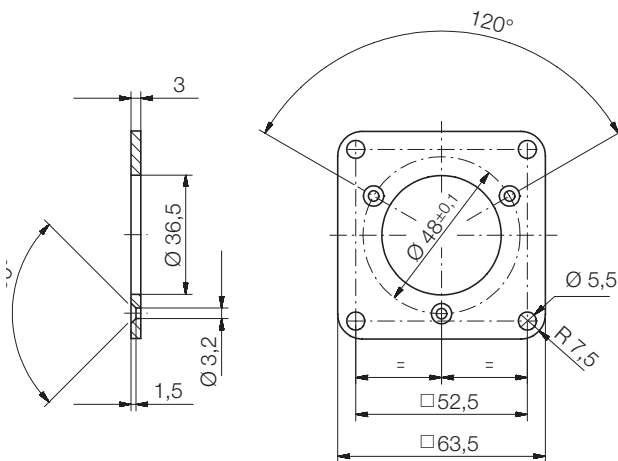
**Angle flange for shaft encoders
ZDI-BW, ZDA-SW with clamping flange**



Material: Aluminium

Order details: ZDZ-W1

**Quadratic flange for shaft encoders
ZDI-BW, ZDA-SW with clamping flange**



Material: Aluminium

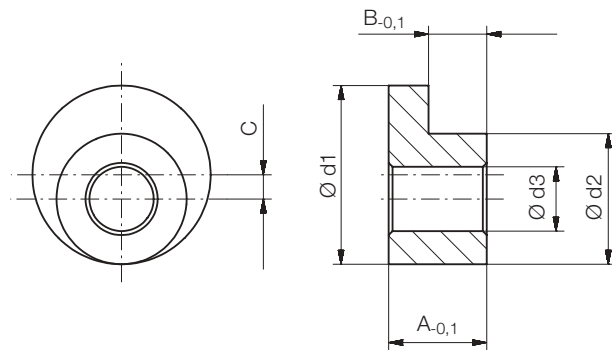
Order details: ZDZ-Q1

**Fastening cam for rotary encoders with
synchro flange**

Material: Cu Zn 39 Pb3
Surface: Nickel plated

**Note: At least three fastening cams are needed
for encoder fitting.**

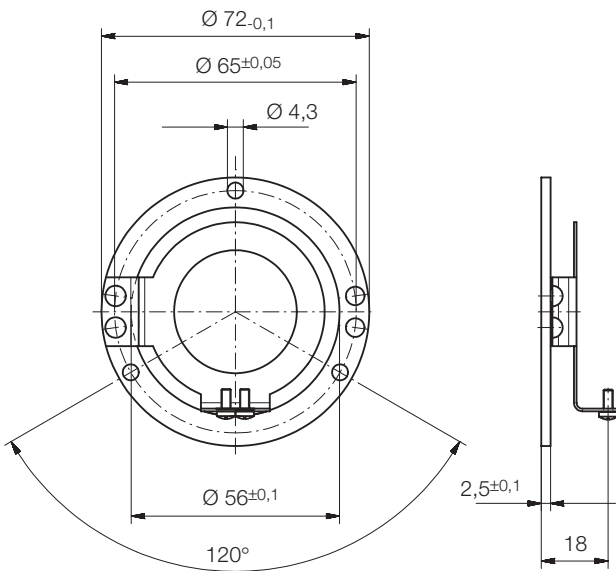
d1	d2	d3	A	B	C
8.9	6.5	3.2	4.9	2.9	1.2



Order details: ZDZ-E2

Stator coupling for hollow shaft encoders

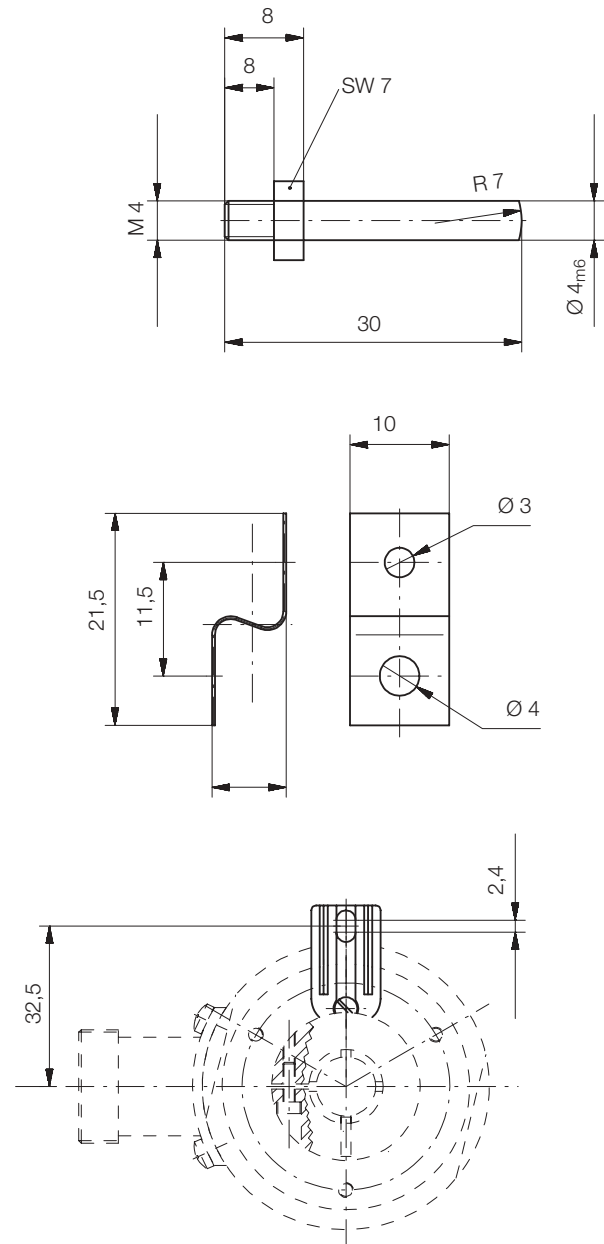
for use with the following types:
ZDI-BH, ZDI-DH, ZDA-SH



Order details: ZDZ-K1

Mounting set for hollow shaft encoders

Scope of supply: parallel pin, long with fixing thread
fixing bracket including screw M3x5
extended spring element



Order details: ZDZ-M1