

Barcode Scanner

1D / 2D Code Scanner

33...236 mm

Read Range



- Auto-Focus
- For dynamic applications
- Perfect Scans with Global-Shutter
- Teach-In

These 2D code scanners are suitable for omnidirectional scanning of 1D and 2D codes. The following code types can be processed:

1D Codes: Code 39, Code 128, UPC/EAN, IBM BC412, I2 of 5, Pharmacode

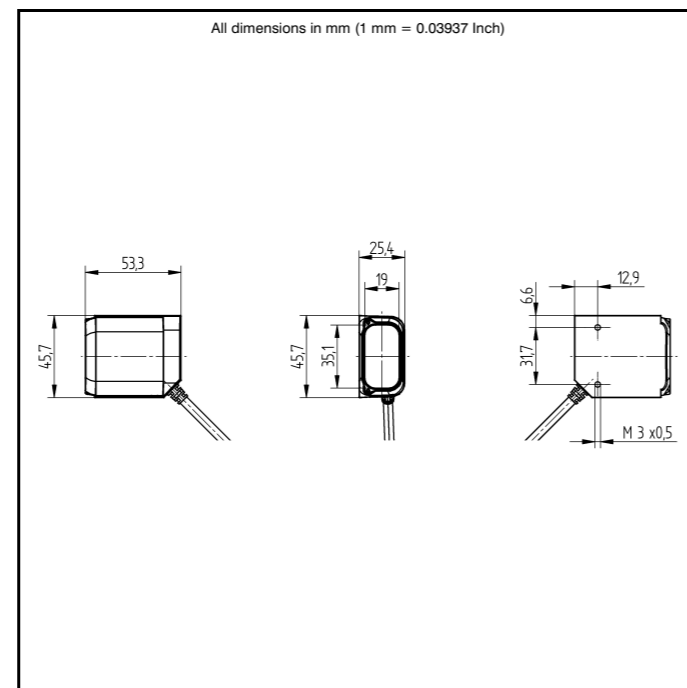
2D Codes: Data Matrix (ECC 0-200), PDF417, QR Code, RSS-Family

Additional code types upon request.



Technical Data

Optical Data	
Read Range	33...236 mm
Resolution	752 x 480 Pixel
Light Source	Red Light
Wave Length	617 nm
Service Life (T = +25°C)	40000 h
max. Ambient Light	3000 Lux
Barcode Label Contrast	> 20 %
Electrical Data	
Supply Voltage	5 V DC
Power Consumption	2200 mW
Scan Rate	60 scans/sec
On-/Off-Delay (RS-232)	2.55 s
Temperature Range	0...40 °C
Switching Output	TTL
Switching Outputs	3
Switching Output / Switching Current	10 mA
Network Possibilities	Daisy Chain, Multidrop
Interface	RS232/422/485
Baud Rate	115200 Bd
Trigger Input	NPN
Signal Input	NPN
Number of Signal Inputs	1
Acoustic Indicator	yes
Mechanical Data	
Housing	Aluminum
Weight	57 g
Degree of Protection	IP 54
Connection	SubD 15pol.



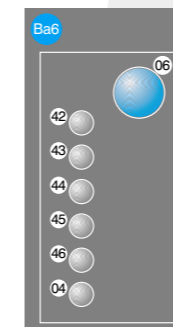
Specifications are subject to change without notice
19/08



	Prewired Version	
	FIS-6300-3102	FIS-6300-3103
TTL positive / negative switchable	●	●
Medium density	yes	
Ultra high density		yes
Connection Table Nr.	09	09
Control Panel No.	Ba6	Ba6

Min. Resolution		Max. Field of vision	Read Range
1D	2D		
Ultra High Density			
0.08 mm	0.13 mm	29 mm	48 mm to 76 mm
0.13 mm	1.90 mm	45 mm	46 mm to 127 mm
0.25 mm	0.38 mm	64 mm	41 mm to 178 mm
Medium Density			
0.13 mm	0.19 mm	69 mm	43 mm to 86 mm
0.19 mm	0.25 mm	93 mm	41 mm to 127 mm
0.25 mm	0.38 mm	118 mm	36 mm to 203 mm
0.51 mm	0.76 mm	136 mm	33 mm to 236 mm

Ctrl. Panel



- 04 = Function Indicator
- 06 = Teach Button
- 42 = Reading Performance 100% / Good Read
- 43 = Reading Performance 80% / Status / Trigger
- 44 = Reading Performance 60%
- 45 = Reading Performance 40%
- 46 = Reading Performance 20%

Accessories

- Connection Box AB-0003
- Connection Box AB-0003-1
- Connection Box for USB Interface AB-USB01
- Mounting Bracket WFIS03S12VA
- Additional Lens LA26