

Retro-Reflex Sensor



OLWK503A0091

Part Number

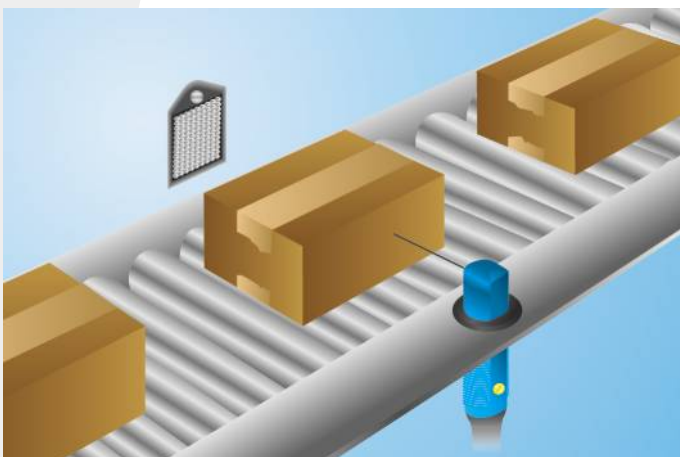


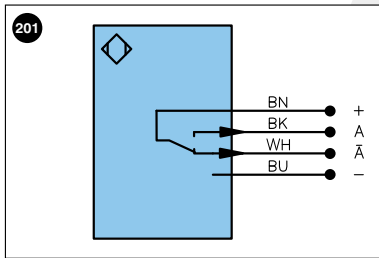
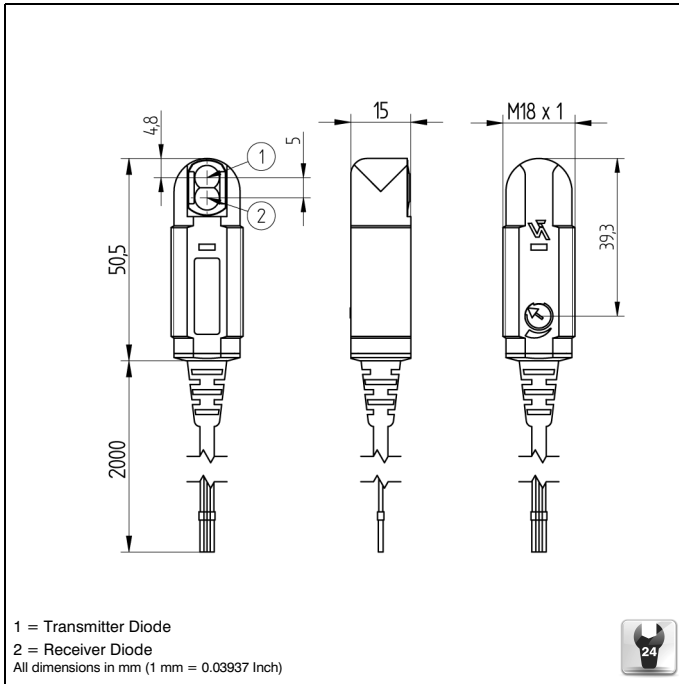
- Clever Inclusive Mounting Technology
- Glossy objects can be detected
- Minimal installation space
- Simple installation
- Switching Distance Adjuster

Technical Data

Optical Data	
Range	5000 mm
Reference Reflector/Reflex Foil	RQ100BA
Switching Hysteresis	< 15 %
Light Source	Red Light
Polarization Filter	yes
Service Life (T = +25 °C)	100000 h
max. Ambient Light	10000 Lux
Opening Angle	5 °
Light Spot Diameter	see Table 1
Two-Lens Optic	yes
Electrical Data	
Supply Voltage	10...30 V DC
Current Consumption (U _b = 24 V)	< 20 mA
Switching Frequency	700 Hz
Response Time	714 μs
Temperature Drift	< 10 %
Temperature Range	-25...60 °C
Switching Output Voltage Drop	< 2,5 V
PNP Switching Output/Switching Current	200 mA
Residual Current Switching Output	< 50 μA
Short Circuit Protection	yes
Reverse Polarity Protection	yes
Overload Protection	yes
Protection Class	III
Mechanical Data	
Adjustment	Potentiometer
Housing	Plastic
Degree of Protection	IP67
Connection	Prewired
Cable Length	2 m
PNP NO/NC antivalent	●
Connection Diagram No.	201
Control Panel No.	DK1
Suiting Mounting Technology No.	150 160

A reflector must be used in combination with these sensors. They can be installed in all kinds of industrial environments thanks to ample functional reserve. Even reflective objects can be reliably recognized through the use of polarized light.





Legend			
+	Supply Voltage +	U	Test Input
-	Supply Voltage 0 V	Ū	Test Input inverted
~	Supply Voltage (AC Voltage)	W	Trigger Input
A	Switching Output (NO)	O	Analog Output
Ā	Switching Output (NC)	O-	Ground for the Analog Output
V	Contamination/Error Output (NO)	BZ	Block Discharge
V̄	Contamination/Error Output (NC)	AwV	Valve Output
E	Input (analog or digital)	a	Valve Control Output +
T	Teach Input	b	Valve Control Output 0 V
Z	Time Delay (activation)	SY	Synchronization
S	Shielding	E+	Receiver-Line
RxD	Interface Receive Path	S+	Emitter-Line
TxD	Interface Send Path	±	Grounding
RDY	Ready	SnR	Switching Distance Reduction
GND	Ground	Rx +/-	Ethernet Receive Path
CL	Clock	Tx +/-	Ethernet Send Path
E/A	Output/Input programmable	Bus	Interfaces-Bus A(+)/B(-)
	IO-Link	La	Emitted Light disengageable
		PoE	Power over Ethernet
			Wire Colors according to DIN IEC 757
		BK	Black
		BN	Brown
		RD	Red
		OG	Orange
		YE	Yellow
		GN	Green
		BU	Blue
		VT	Violet
		GY	Grey
		WH	White
		PK	Pink
		GNYE	Green Yellow

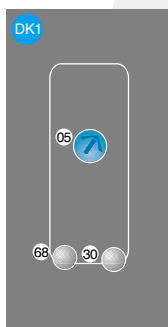
Table 1

Working Distance	0,2 m	0,5 m	5 m
Light Spot Diameter	17 mm	35 mm	330 mm

Complimentary Products

Reflector, Reflex Foil

Ctrl. Panel



05 = Switching Distance Adjuster
30 = Switching Status/Contamination Warning
68 = Supply Voltage Indicator

Feasible reflector distance

Reflector type, mounting distance

RQ100BA	0,01...5 m	RR21_M	0,01...1,1 m
RE18040BA	0,01...4,5 m	ZRAE02B01	0,01...2,2 m
RQ84BA	0,01...4,5 m	ZRDS01R01	0,05...0,8 m
RR84BA	0,01...4,5 m	ZRME01B01	0,01...0,5 m
RE9538BA	0,01...2,2 m	ZRME03B01	0,01...2,5 m
RE6151BM	0,01...4,3 m	ZRMR02K01	0,01...0,7 m
RR50_A	0,01...3,5 m	ZRMS02_01	0,01...1 m
RE6040BA	0,01...4 m	RF505	0,05...1,5 m
RE8222BA	0,01...2,6 m	RF508	0,05...1,5 m
RR34_M	0,01...2,5 m	RF258	0,05...1,1 m
RE3220BM	0,01...1,5 m	ZRAF07K01	0,05...1,1 m
RE6210BM	0,01...1 m	ZRAF08K01	0,05...1,5 m
RR25_M	0,01...1,3 m	ZRDF03K01	0,04...3,4 m
RR25KP	0,04...0,8 m	ZRDF10K01	0,04...4,5 m

Specifications are subject to change without notice