



Safety is for life.™

## PRODUCT INFORMATION



# Explosion Venting EGV

## FOR ZERO TO LOW PRESSURE OR VACUUM

### Applications

From spray dryers, elevators and chain conveyors to screens with light vibration, silos with mechanical filling and cyclones – the EGV is suitable for use in a wide range of applications **in all sectors** for both non-pressurised processes and processes with low vacuum or overpressure (**up to 50% of static burst pressure**). The standard burst pressure is 0.1 bar at 22 °C (71.6 °F).

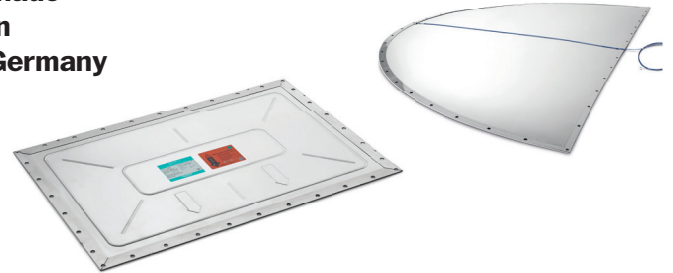
### Mechanism

When pressure rises, the explosion vent opens at the defined breaking point and releases pressure out of the vessel into the surrounding area.

### Your advantages

- **High venting capacity and full bore opening** due to low surface weight.
- **High stability and opening speed** through integrated bionic structure.
- Direct installation of the explosion vent even on round vessels **prevents accumulation of deposits and bacteria formation**. No complicated flange constructions required.
- **Adapts perfectly to your process** due to the wide range of EGV geometries available.
- **Quick and easy installation** as EGV is torque independent. No additional counter frame required.
- **Significant space savings** due to the integrated gasket and frame in the explosion vent.
- **Guaranteed leaktight integrity**. Independently verified.

■ Made  
■ in  
■ Germany



### Technical data\*

Standard burst pressure $P_{stat}$	0.1 bar
Max. permitted operating pressure	50% of $P_{stat}$
Temperature	-40 to +180 °C (-40 to +356 °F)
Material	Stainless steel
Gasket material	FDA approved silicon gasket
Tolerance	± 15% at standard burst pressure
Process	Pulsating/non-pulsating
Standard vacuum resistance	50% of set pressure at non-pulsating processes
Recommended torque for M10 screws	20 Nm

\*Our specialists will be pleased to assist you in finding a solution that matches your specific operating conditions.



ATEX  
EC type examination  
certificate no.  
FSA 04 ATEX 1538 X

SIL equivalent SIL 4

You can find detailed information and contact details for enquiries relating to EGV explosion vents at [www.rembe.de](http://www.rembe.de). Or just give us a call on: T +49 2961 7405-0, [info@rembe.de](mailto:info@rembe.de).

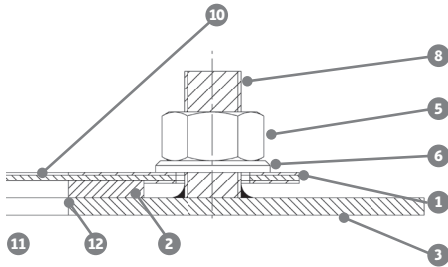




Safety is for life.™

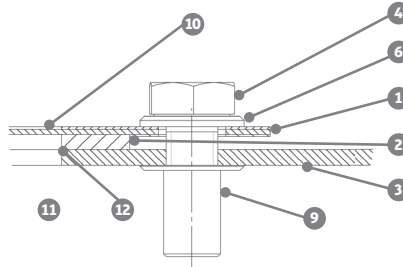
## PRODUCT INFORMATION

### Installation options



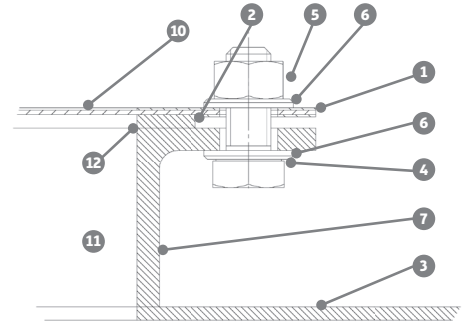
Installation with welded threaded bolts.

- 1 Explosion vent (bursting element, integrated gasket and integrated frame)
- 2 Integrated gasket
- 3 Vessel wall (opening dimensions +0/-2 mm)
- 4 Bolt



Installation with lock nuts.

- 5 Nut
- 6 Washer
- 7 Angular frame
- 8 Threaded bolt



Installation with flanges.

- 9 Lock nut
- 10 Bursting element
- 11 Opening
- 12 Edge ( $r \leq 2$  mm)

#### Standard dimensions

Max. size of wall opening – nominal vent dimensions [mm]	Effective venting area [cm <sup>2</sup> ]
130 × 500	650
229 × 305	700
180 × 420	750
200 × 460	920
247 × 465	1100
205 × 610	1250
340 × 385	1300
305 × 457	1350
315 × 467	1470
247 × 610	1500
330 × 470	1550
340 × 440	1490
400 × 400	1600
410 × 410	1680
305 × 610	1860
354 × 580	2050
375 × 655	2450
440 × 605	2660
470 × 610	2850

#### Standard dimensions

Max. size of wall opening – nominal vent dimensions [mm]	Effective venting area [cm <sup>2</sup> ]
490 × 590	2890
300 × 1000	3000
454 × 760	3400
450 × 800	3600
600 × 600	3600
610 × 610	3720
457 × 890	4100
650 × 650	4220
520 × 820	4260
370 × 1220	4500
653 × 653	4260
600 × 800	4800
710 × 710	5000
620 × 820	5100
586 × 920	5400
500 × 1100	5500
750 × 840	5900
620 × 1020	6320
800 × 800	6400

#### Standard dimensions

Max. size of wall opening – nominal vent dimensions [mm]	Effective venting area [cm <sup>2</sup> ]
610 × 1118	6800
760 × 1114	8450
840 × 920	7700
920 × 920	8500
457 × 2000	9140
1000 × 1000	10000
915 × 1118	10230
770 × 1340	10300
1020 × 1020	10400
790 × 1340	10500
920 × 1254	11537
1130 × 1130	12750
860 × 1520	13000
940 × 1440	13500
940 × 1600	15040
1110 × 1460	16000
920 × 1920	17500
1000 × 2000	20000

Other dimensions available on request.

Consulting. Engineering. Products. Service.

REMBE® GmbH Safety+Control

Gallbergweg 21 | 59929 Brilon, Germany | T +49 2961 7405-0 | F +49 2961 50714  
info@rembe.de | www.rembe.de