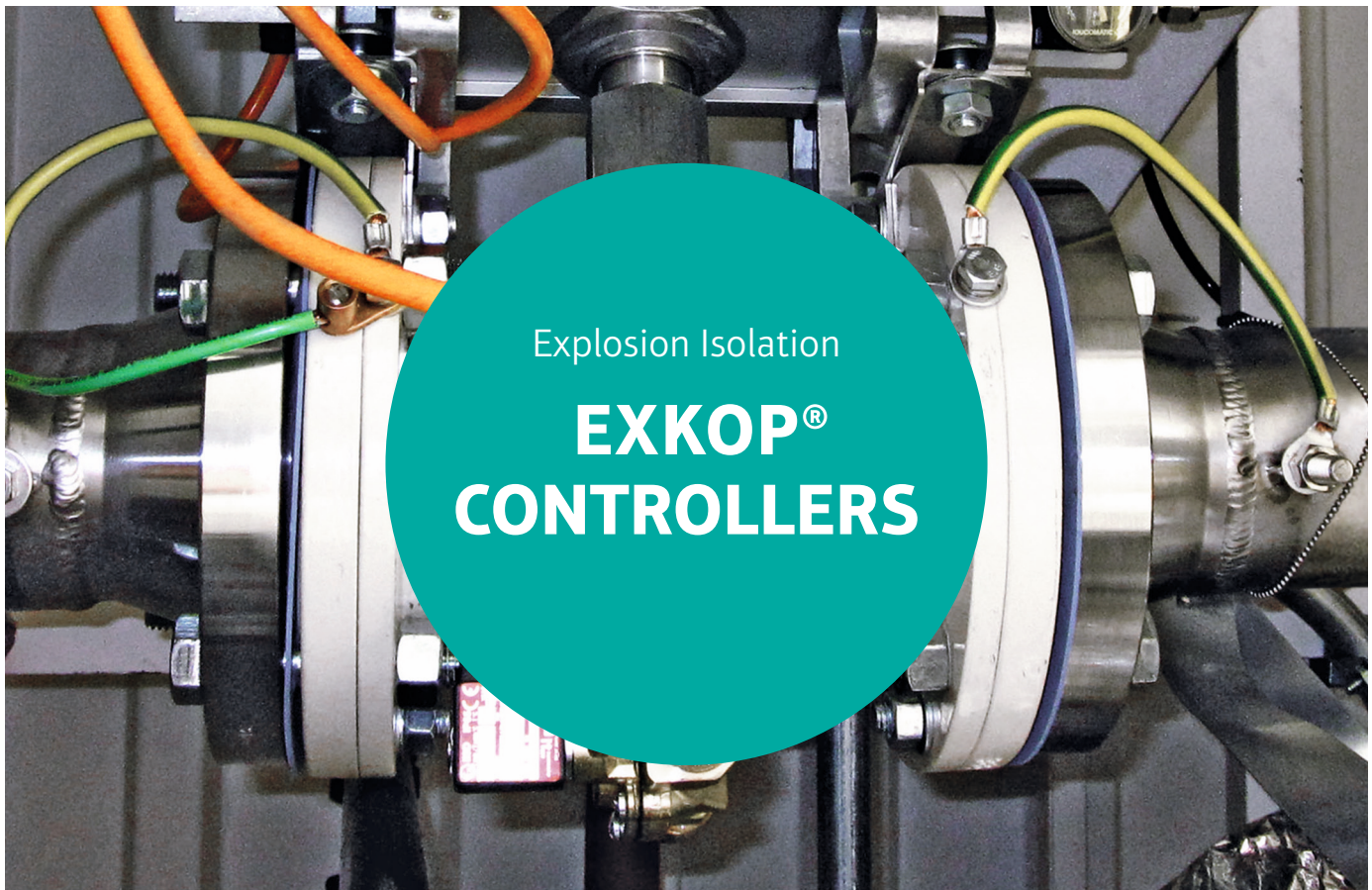




Safety is for life.™

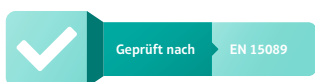
PRODUCT INFORMATION



EXKOP® CONTROLLERS FOR VARIOUS ISOLATION SYSTEMS

Applications

In the case of an explosion, the EXKOP® controllers receive a trigger signal (e.g. from the signalling unit of the Q-Rohr®, an explosion vent, from a pressure sensor or IR-Flame detector) and activate the connected isolation systems which prevents an explosion from propagating.



ATEX
EC type examination
certificate no.
FSA 04 ATEX 1537 X
FSA 15 ATEX 1659 X

Your advantages

- Processes wide range of trigger signals for easy retrofitting to existing plants.
- Fail Safe mechanism.
- EXKOP® Express: **One controller for various isolation systems** (Quench valves QVII and QVIII, Q-Bic™ as well as slide valves RSV and REDEX® Slide).
- **System status and clear messages reported immediately via the touch panel (optional).**
- **Online remote access possible (optional).**
- **Self-monitoring safety electronics with operating data storage up to 100.000 events** (EXKOP® Express).

Made in Germany



You can find detailed information and contact details for enquiries relating to EXKOP® controllers at www.rembe.de.
Give us a call on: T +49 2961 7405-0 or contact us via email: info@rembe.de



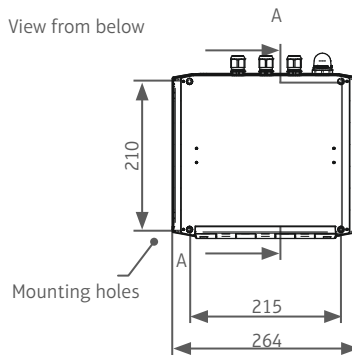
Safety is for life.™

PRODUCT INFORMATION

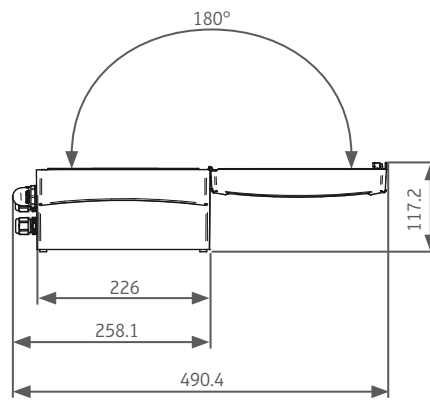
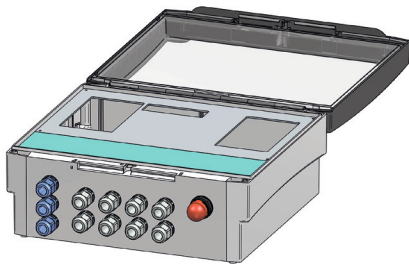
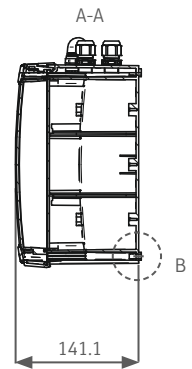
EXKOP® MINI



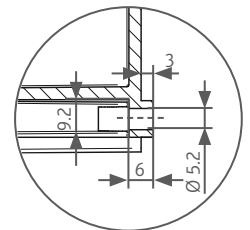
View from below



closed



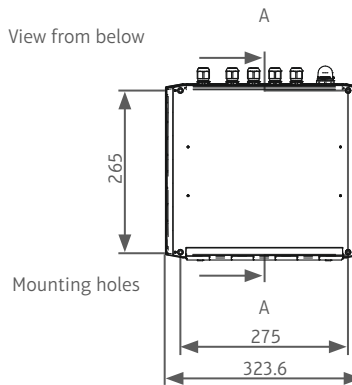
detail B



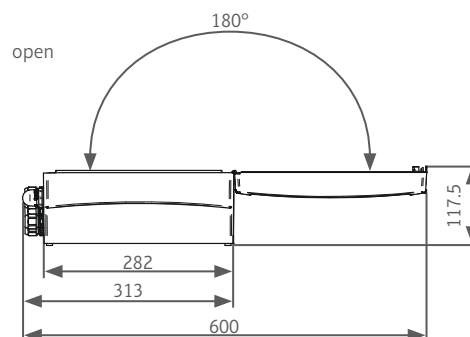
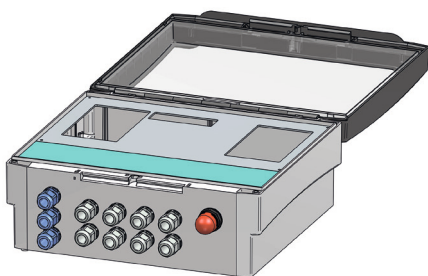
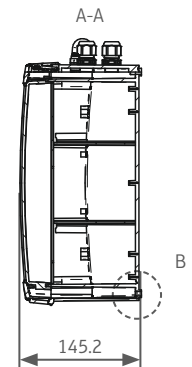
EXKOP® TriCon



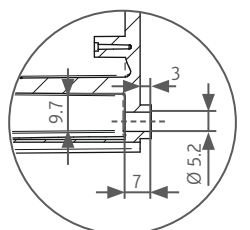
View from below



closed



detail B





Safety is for life.™

PRODUCT INFORMATION



EXKOP® Mini



EXKOP® TriCon



EXKOP® Express

Technical data*

	EXKOP® MINI	EXKOP® TriCon	EXKOP® Express
EC type examination certificate	FSA 04 ATEX 1537 X	FSA 15 ATEX 1660 X	in progress
Supply voltage	24 V DC	110 V AC/60 Hz – 230 V AC/50 Hz	110 V AC/60 Hz – 230 V AC/50 Hz
Max. no. of connectable detectors (lines)	2	3	2 to 36 (x3)
Isolation systems	QV II	QV II	QV II, QV III, Q-Bic™, RSV, REDEX® Slide
Max. no. of connectable isolation units	2	3	Depends on the special application
Power consumption	ca. 100 W	ca. 150 W	Depends on the special size
Potential-free relay contacts	3 (max. 250 V, 6A)	4 (max. 250 V, 6A)	from 4 to 64
Wire cross-section (fine wire with ferrule)	0,5 – 0,75 mm ²	0,5 – 0,75 mm ²	0,5 – 1,5 mm ²
Ambient temperature	0 – 50 °C (32–122 °F)	0 – 50 °C (32–122 °F)	0 – 50 °C
Protection type	IP 65	IP 65	IP 55
ATEX category	Zone-free	Zone-free	Zone-free
Housing material	Polycarbonate housing with lockable transparent front	Polycarbonate housing with lockable transparent front	Sheet steel housing with powder-coated front
Dimensions (W × H × D)	ca. 264 × 258 × 141 mm	ca. 324 × 313 × 145 mm	Depending on the number of detectors and decoupling systems
Weight	ca. 3 kg	ca. 4 kg	Depending on the number of detectors and decoupling systems
Remote access	-	-	optional
Touch Panel	-	-	available

*Our specialists will be pleased to assist you in finding a solution that matches your specific operating conditions.

Consulting. Engineering. Products. Service.

REMBE® GmbH Safety+ Control

Gallbergweg 21 | 59929 Brilon, Germany | T +49 2961 7405-0 | F +49 2961 50714
info@rembe.de | www.rembe.de