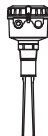


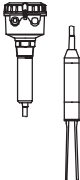


## Table of content

	Page
Overview	2
Specifications	4
Applications	5
-----	
VN ..020 Short extension length	6
	
-----	
VN ..030 Pipe extension	8
	
-----	
VN ..040 Pipe extension (screwed)	10
	
-----	
VN ..050 Cable extension	12
	
-----	
Options	14
Accessories	16
Dimensions	17
Detailed Ex-markings	21
Electrical installation	22
Spare parts Electronic modules	24

Subject to change.

All dimensions in mm (inches).

All prices in Euro (€) or USD (\$),  
excluding VAT.

All EURO prices are EXW Betzigau,  
all USD prices are EXW Memphis,  
excluding packaging costs.

Valid: From 01.04.2021 until 31.03.2022, unless otherwise agreed.

By publishing this selection list all other lists become invalid.

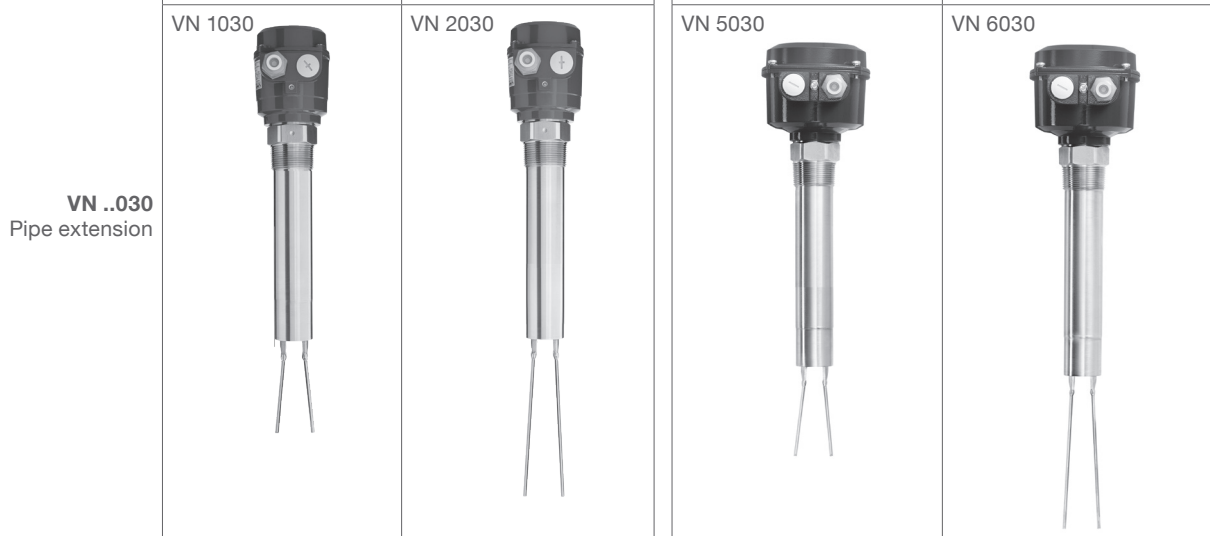
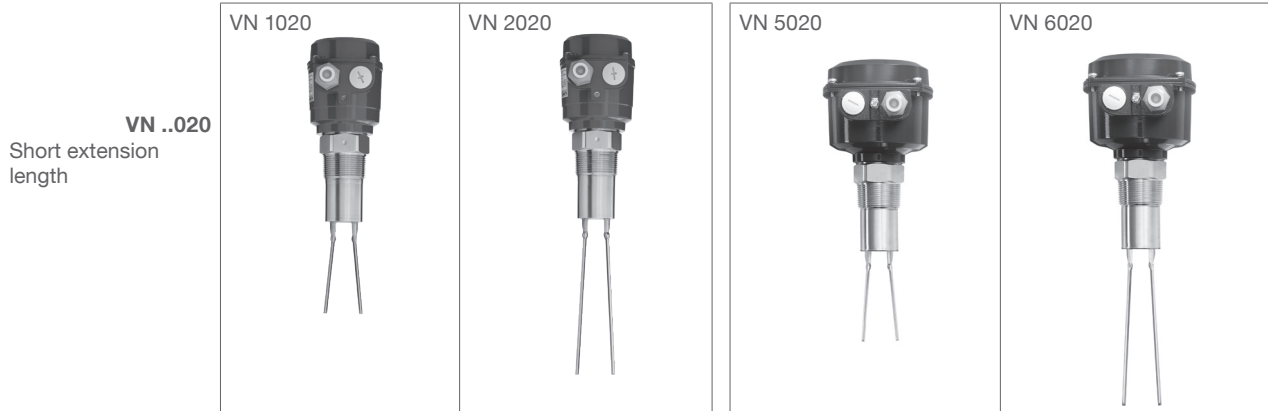
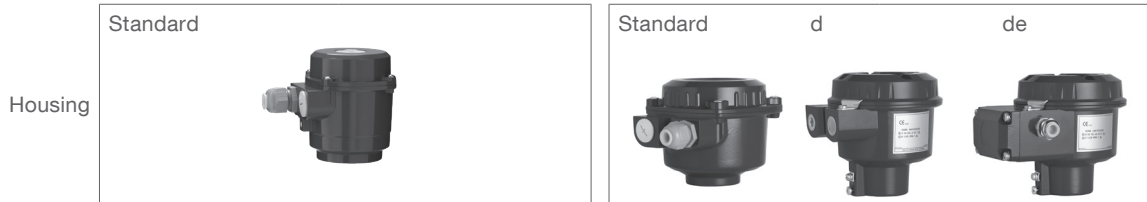
We assume no liability for typing errors.

Different variations to those specified are possible.  
Please contact our technical consultants.

## Overview

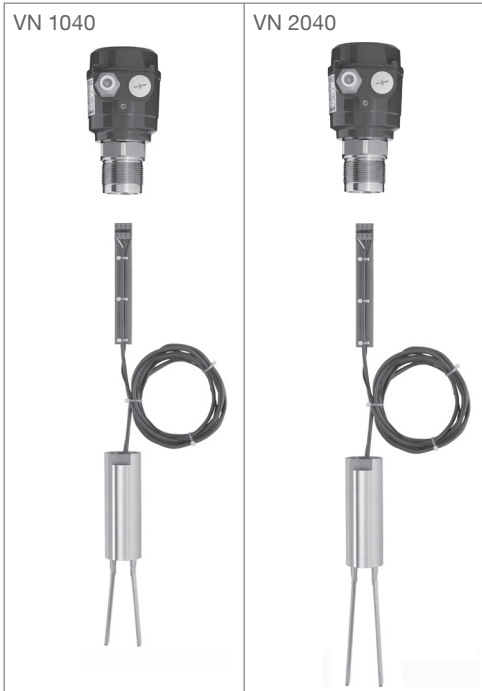
- Level limit detection in bulk goods/ solids
- Compact unit
- Die-casted housing aluminium
- Wide range of applications, no maintenance
- Full, demand, empty detector
- ATEX, IEC-Ex, FM, CSA, TR-CU, INMETRO, KC, CCC
- 1935/2004/EC
- 2011/65/EU
- Gas Ex and Dust Ex approvals
- Food grade materials
- RoHS conform

Series	VN 1000	VN 2000	VN 5000	VN 6000
	ATEX/ IEC-Ex/ TR-CU/ INMETRO/ KC/ CCC	ATEX/ IEC-Ex/ TR-CU/ INMETRO/ KC/ CCC	ATEX/ IEC-Ex/ FM/ CSA/ TR-CU/ INMETRO/ KC/ CCC	ATEX/ IEC-Ex/ FM/ CSA/ TR-CU/ INMETRO/ KC/ CCC
	Small housing	Small housing	Spacious housing	Spacious housing
	Short oscillating rods	Standard oscillating rods	Short oscillating rods	Standard oscillating rods
	Sensitivity >50 g/l (3 lb/ft <sup>3</sup> )	Sensitivity >20 g/l (1.2 lb/ft <sup>3</sup> )	Sensitivity >50 g/l (3 lb/ft <sup>3</sup> )	Sensitivity >20 g/l (1.2 lb/ft <sup>3</sup> )
	For extreme mech. load	Option >5g/l (0.3 lb/ft <sup>3</sup> )	For extreme mech. load	Option >5g/l (0.3 lb/ft <sup>3</sup> )
	For mounting in down pipes	Vibrasil® <5 g/l (0.3 lb/ft <sup>3</sup> )	For mounting in down pipes	Vibrasil® <5 g/l (0.3 lb/ft <sup>3</sup> )
	Advantageous design to avoid bridges		Advantageous design to avoid bridges	
	Also for interface applications		Also for interface applications	

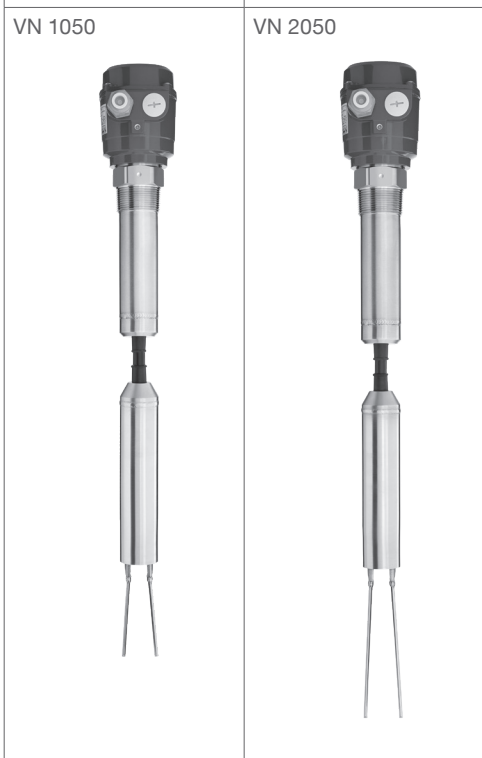


## Overview

**VN ..040**  
 Pipe extension  
 (screwed)  
  
 Custom made  
 pipe for flexible  
 length



**VN ..050**  
 Cable extension



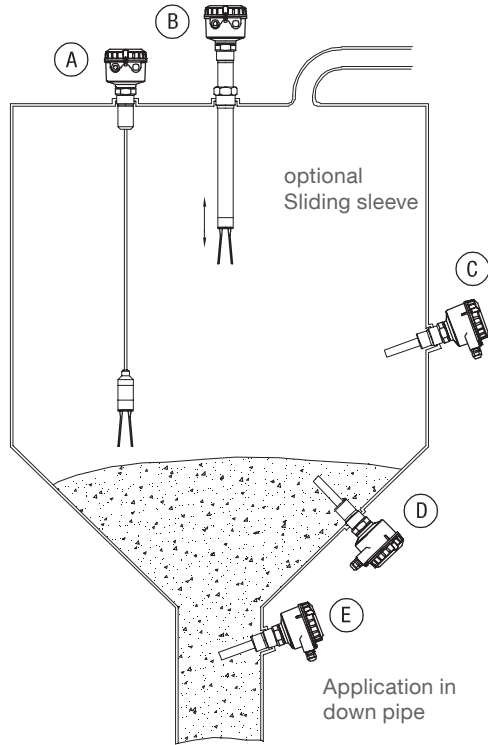
## Specifications

Series		VN 1000	VN 2000	VN 5000	VN 6000	
Approvals	<b>CE/ TR-CU</b>	•	•	•	•	
	<b>ATEX/ IEC-Ex/ INMETRO/ TR-CU/ KC/ CCC:</b>					
	Zone 20/21	Dust Ignition Proof	•	•	•	•
	Zone 0	Intrinsic Safe	•	•	•	•
	Zone 1	Flameproof/ Increased Safety			•	•
	<b>FM/ CSA:</b>					
	General purp.				•	•
	Cl. II, III Div. 1	Dust Ignition Proof			•	•
	Cl. I Div. 1	Intrinsic Safe			•	•
	Cl. I Div. 1	Explosionproof			•	•
Zone 0	Intrinsic Safe			•	•	
Zone 1	Flameproof/ Increased Safety			•	•	
Electronics	Relais SPDT	19 .. 230 V AC 19 .. 55 V DC	•	•	•	•
	Relais DPDT	19 .. 230 V AC 19 .. 36 V/ 55 V DC	•	•	•	•
	PNP	18 .. 50 V DC	•	•	•	•
	2-wire without contact	19 .. 230 V AC/ DC	•	•	•	•
	NAMUR	IEC 60947-5-6 2-wire		•		•
	8/16 mA or 4-20 mA	12.5-30/36 V DC 2-wire	•	•	•	•
Extensions	VN ..020	Length of extension	165 mm (6.47")	235 mm (9.25")	165 mm (6.47")	235 mm (9.25")
		Ambient temperature	-40 .. +60°C (-40 .. +140°F)			
		Process temperature	-40 .. +150°C (-40 .. +302°F)			
		Process pressure	-1 .. +16 bar (-14.5 .. +232 psi)			
		Process connection material/ Extension <sup>1</sup>	1.4301 (304)/ 1.4541 (321) or 1.4404 (SS316L)/ (food grade)			
	VN ..030	Length of extension	300 .. 4,000 mm (11.8 .. 157")			
		Ambient temperature	-40 .. +60°C (-40 .. +140°F)			
		Process temperature	-40 .. +150°C (-40 .. +302°F)			
		Process pressure	-1 .. +16bar (-14.5 .. +232 psi)			
		Process connection material/ Extension <sup>1</sup>	1.4301 (304)/ 1.4541 (321) or 1.4404 (SS316L)/ (food grade)			
	VN ..040	Length of extension	1,500 mm (59") or 4,000 mm (157")			
		Ambient temperature	-40 .. +60°C (-40 .. +140°F)			
		Process temperature	-40 .. +150°C (-40 .. +302°F)			
		Process pressure	-1 .. +16bar (-14.5 .. +232 psi)			
		Process connection material/ Extension <sup>1</sup>	1.4305 (303)/ 1.4541 (321) or 1.4404 (SS316L)/ (food grade)			
	VN ..050	Length of extension	750 ... 20,000 mm (27.6" .. 787")			
		Ambient temperature	-25 .. +60°C (-13 .. +140°F)			
		Process temperature	-25 .. +80°C (-13 .. +176°F)			
		Process pressure	-1 .. +6 bar (-14.5 .. +87 psi)			
		Process connection material/ Extension <sup>1</sup>	1.4305 (303)/ 1.4541 (321) Cable isolation: PUR (no food grade)			

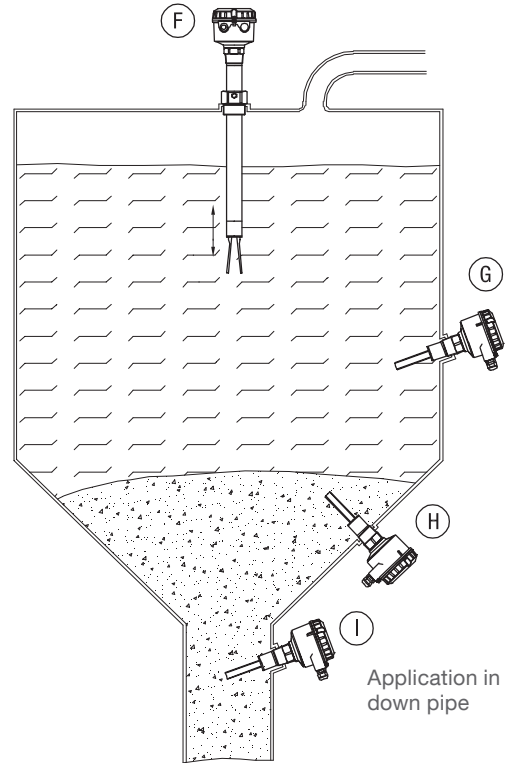
<sup>(1)</sup> The listed or higher-quality corrosion-resistant materials can be used.  
 Filler materials are not listed.

## Applications

Detection of solids



Detection of solids in water



	(A)	(B)	(C)	(D)	(E)	(F)	(G)	(H)	(I)
VN 1020			•	•	•		•	•	•
VN 1030		•	•			•	•		
VN 1040		•	•						
VN 1050	•								
VN 2020			•	•	•				
VN 2030		•	•						
VN 2040		•	•						
VN 2050	•								
VN 5020			•	•	•		•	•	•
VN 5030		•	•			•	•		
VN 5040		•	•						
VN 5050	•								
VN 6020			•	•	•				
VN 6030		•	•						
VN 6040		•	•						
VN 6050	•								

## VN ..020 Short extension length

VN 1020



VN 2020



VN 5020



VN 6020



### Housings VN 5020/ 6020



Standard



d (flameproof)



de (flameproof/  
increased safety)

### Food grade materials

#### Cable entries (by default)

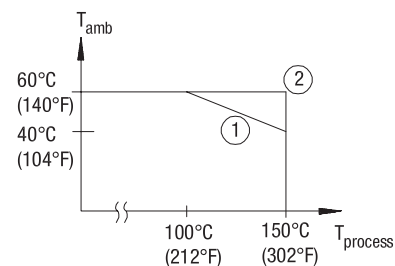
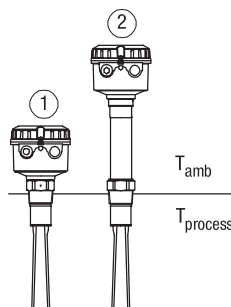
Depending on model selected, the following cable entries are supported (options see pos.23 on page 14):

Version:	Cable entries:
Flameproof (pos.2 T,D,L,5)	M20 x 1.5 (1x open conduit + 1x blind plug)
FM and CSA (pos.2 M,N,P,S,U)	NPT ½" tapered ANSI B1.20.1 (1x open conduit + 1x blind plug)
All other versions	M20 x 1.5 (1x screwed cable gland + 1x blind plug)

### Dimensions see pages 17 - 20

pos.3  
 Temperature extended shaft  
 applications up to 150°C (302°F)

- 1 without
- 2 with



## VN ..020 Short extension length

Basic type

VN 1020 .....  
 VN 2020 .....  
 VN 5020 .....  
 VN 6020 .....

pos.2 **Certificate** (detailed Ex-markings: see page 20)

	Dust	Gas	Protection method
0	CE/ TR-CU	-	-
W	ATEX	Zone 20/21	Dust Ignition Proof
Y	ATEX	Zone 20/21	Intrinsic Safe/ Dust Ignition Proof
R	ATEX	Zone 20/21	Flameproof/ Increased Safety/ Dust Ignition Proof
T	ATEX	Zone 20/21	Flameproof/ Dust Ignition Proof
A	IEC-Ex	Zone 20/21	Dust Ignition Proof
B	IEC-Ex	Zone 20/21	Intrinsic Safe/ Dust Ignition Proof
C	IEC-Ex	Zone 20/21	Flameproof/ Increased Safety/ Dust Ignition Proof
D	IEC-Ex	Zone 20/21	Flameproof/ Dust Ignition Proof
M	FM/ CSA	-	General purpose
N	FM/ CSA	Cl. II, III, Div.1	Dust Ignition Proof
	CSA	A 20/21	
P	FM/ CSA	Cl. II, III, Div.1	Intrinsic Safe/ Dust Ignition Proof
	CSA	A 20/21	
S	FM/ CSA	Cl. II, III, Div.1	Flameproof/ Increased Safety/ Dust Ignition Proof
	CSA	A 20/21	
U	FM/ CSA	Cl. II, III, Div.1	Explosion Proof/ Dust Ignition Proof
	CSA	A 20/21	
E	TR-CU	Zone 20/21	Dust Ignition Proof
V	TR-CU	Zone 20/21	Intrinsic Safe/ Dust Ignition Proof
K	TR-CU	Zone 20/21	Flameproof/ Increased Safety/ Dust Ignition Proof
L	TR-CU	Zone 20/21	Flameproof/ Dust Ignition Proof
2	Further <sup>(1)</sup>	Zone 20/21	Dust Ignition Proof
3	Further <sup>(1)</sup>	Zone 20/21	Intrinsic Safe/ Dust Ignition Proof
4	Further <sup>(1)</sup>	Zone 20/21	Flameproof/ Increased Safety/ Dust Ignition Proof
5	Further <sup>(1)</sup>	Zone 20/21	Flameproof/ Dust Ignition Proof

pos.3 **Temperature extended shaft**

1 without (up to T<sub>process</sub> = 150°C (302°F) at Tamb < 40°C (104°F)) .....  
 2 with (up to T<sub>process</sub> = 150°C (302°F) at Tamb > 40°C (104°F)) .....

pos.4 **Electronic module**

Available for certificates (pos.2)									
0	W/A/ E/2	Y/B/ V/3	R/C/ K/4	T/D/ L/5	M	N	P	S	U
•	•	•	•	•	•	•	•	•	•
•	(1)		(3)	(3)	•	(1)		(3)	(3)
•	(2)		(4)	(4)		(2)		(4)	(4)
•	•	•	•	•	•	•	•	•	•
•	•	•	•	•	•	•	•	•	•
•	(1)	•	(3)	(3)					
•	(2)		(4)	(4)					

(1) without pos.26 1/2 (3) with pos.3 1, without pos.26 1/2  
 (2) with pos.26 1/2 (4) with pos.3 2 and/ or pos.26 1/2

pos.5 **Process connection**

A Thread R 1½", conical EN 10226 .....  
 B Thread NPT 1½", conical ANSI B1.20.1 .....  
 P Triclamp 2" (DN50) ISO 2852 .....  
 L Flange DN100 PN6, EN 1092-1 (max. 6 bar (87 psi)) .....  
 M Flange DN100 PN16, EN 1092-1 .....  
 S Flange 2" 150lbs ANSI B16.5 (max. 10 bar (145 psi)) .....  
 T Flange 3" 150lbs ANSI B16.5 (max. 10 bar (145 psi)) .....  
 U Flange 4" 150lbs ANSI B16.5 (max. 10 bar (145 psi)) .....

pos.8 **Material of process connection/ extension "L"**

1 Stainless steel 1.4301 (304)/ Flange in 1.4541 (321) .....  
 2 Stainless steel 1.4404 (316L) .....  
 Vibrating rods polished, Ra ≤ 0.75 µm; PTFE coating on request

**Further options and accessories:** see page 14 - 16

Basic type

	<b>A</b>					<b>3</b>	<b>1</b>	
Position	1	2	3	4	5	6	7	8

← **Order code**

All positions are available with special design (use code "Z").  
<sup>(1)</sup> Local certificates see option 20/ page 14

## VN ..030 Pipe extension

VN 1030



VN 2030



VN 5030



VN 6030



### Housings VN 5030/ 6030



Standard



d (flameproof)



de (flameproof/  
increased safety)

### Food grade materials

### Cable entries (by default)

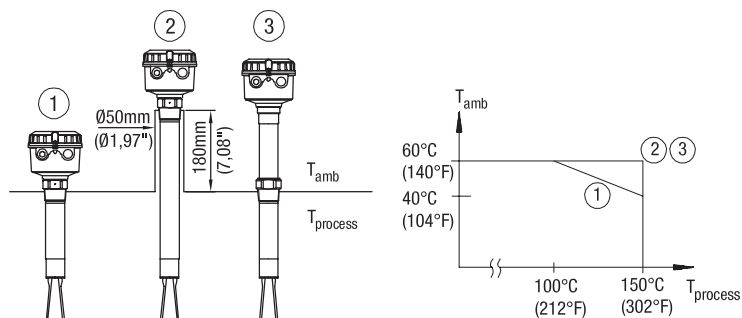
Depending on model selected, the following cable entries are supported (options see pos.23 on page 14):

Version:	Cable entries:
Flameproof (pos.2 T,D,L,5)	M20 x 1.5 (1x open conduit + 1x blind plug)
FM and CSA (pos.2 M,N,P,S,U)	NPT ½" tapered ANSI B1.20.1 (1x open conduit + 1x blind plug)
All other versions	M20 x 1.5 (1x screwed cable gland + 1x blind plug)

**Dimensions** see pages 17 - 20

pos.3  
 Temperature extended shaft  
 applications up to 150°C (302°F)

- 1 without
- 2 without and with extended socket
- 3 with

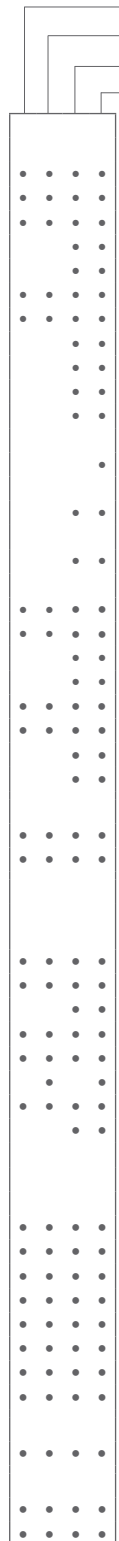




## VN ..030 Pipe extension

### Basic type

- VN 1030 .....
- VN 2030 .....
- VN 5030 .....
- VN 6030 .....



pos.2

### Certificate (detailed Ex-markings: see page 20)

		Dust	Gas	Protection method
0	CE/ TR-CU	-	-	
W	ATEX	Zone 20/21	-	Dust Ignition Proof
Y	ATEX	Zone 20/21	Zone 0 and 0/1	Intrinsic Safe/ Dust Ignition Proof
R	ATEX	Zone 20/21	Zone 1	Flameproof/ Increased Safety/ Dust Ignition Proof
T	ATEX	Zone 20/21	Zone 1	Flameproof/ Dust Ignition Proof
A	IEC-Ex	Zone 20/21	-	Dust Ignition Proof
B	IEC-Ex	Zone 20/21	Zone 0 and 0/1	Intrinsic Safe/ Dust Ignition Proof
C	IEC-Ex	Zone 20/21	Zone 1	Flameproof/ Increased Safety/ Dust Ignition Proof
D	IEC-Ex	Zone 20/21	Zone 1	Flameproof/ Dust Ignition Proof
M	FM/ CSA	-	-	General purpose
N	FM/ CSA	Cl. II, III, Div.1	-	Dust Ignition Proof
	CSA	A 20/21		
P	FM/ CSA	Cl. II, III, Div.1	Cl. I Div.1/ Zone 0	Intrinsic Safe/ Dust Ignition Proof
	CSA	A 20/21		
S	FM/ CSA	Cl. II, III, Div.1	Zone 1	Flameproof/ Increased Safety/ Dust Ignition Proof
	CSA	A 20/21		
U	FM/ CSA	Cl. II, III, Div.1	Cl. I Div.1/ Zone 1	Explosion Proof/ Dust Ignition Proof
	CSA	A 20/21		
E	TR-CU	Zone 20/21	-	Dust Ignition Proof
V	TR-CU	Zone 20/21	Zone 0 and 0/1	Intrinsic Safe/ Dust Ignition Proof
K	TR-CU	Zone 20/21	Zone 1	Flameproof/ Increased Safety/ Dust Ignition Proof
L	TR-CU	Zone 20/21	Zone 1	Flameproof/ Dust Ignition Proof
2	Further <sup>(1)</sup>	Zone 20/21	-	Dust Ignition Proof
3	Further <sup>(1)</sup>	Zone 20/21	Zone 0 and 0/1	Intrinsic Safe/ Dust Ignition Proof
4	Further <sup>(1)</sup>	Zone 20/21	Zone 1	Flameproof/ Increased Safety/ Dust Ignition Proof
5	Further <sup>(1)</sup>	Zone 20/21	Zone 1	Flameproof/ Dust Ignition Proof

pos.3

### Temperature extended shaft

- 1 without (up to T<sub>process</sub> = 150°C (302°F) at T<sub>amb</sub> < 40°C (104°F) or with extended socket) .....
- 2 with (up to T<sub>process</sub> = 150°C (302°F) at T<sub>amb</sub> > 40°C (104°F)) without extended socket) .....

pos.4

### Electronic module

- E Relay SPDT 19 .. 230 V AC 19 .. 55 V DC
- L Relay DPDT 19 .. 230 V AC 19 .. 55 V DC
- 19 .. 230 V AC 19 .. 36 V DC
- D PNP 18 .. 50 V DC
- K 2-wire without contact 19 .. 230 V AC/ DC
- M NAMUR IEC 60947-5-6 2-wire
- N 8/16 mA or 4-20 mA 12.5 .. 36 V\* DC 2-wire
- N 8/16 mA 12.5 .. 36 V DC 2-wire

Available for certificates (pos.2)									
0	W/A/ E/2	Y/B/ V/3	R/C/ K/4	T/D/ L/5	M	N	P	S	U
•	•		•	•	•		•	•	•
•	(1)					(1)			
•	(2)		•	•		(2)		•	•
•	•		•	•	•	•		•	•
•	•		•	•	•	•		•	•
•	(1)	•					•		
•	(2)		•	•					

\*30V intrinsic safe  
 (1) without pos.26 1/2  
 (2) with pos.26 1/2

pos.5

### Process connection

- A Thread R 1½", conical EN 10226
- B Thread NPT 1½", conical ANSI B1.20.1
- P Triclamp 2" (DN50) ISO 2852
- L Flange DN100 PN6, EN 1092-1 (max. 6 bar (87 psi))
- M Flange DN100 PN16, EN 1092-1
- S Flange 2" 150lbs ANSI B16.5 (max. 10 bar (145 psi))
- T Flange 3" 150lbs ANSI B16.5 (max. 10 bar (145 psi))
- U Flange 4" 150lbs ANSI B16.5 (max. 10 bar (145 psi))

pos.7

### Length of extension "L"

- Z (starting from 0 mm) per 100 mm (3.94") or part thereof; min. 300 mm (11.8"), max. 4,000 mm (157")

pos.8

### Material of process connection/ extension "L"

- 1 Stainless steel 1.4301 (304)/ Flange in 1.4541 (321)
  - 2 Stainless steel 1.4404 (316L)
- Vibrating rods polished, Ra ≤ 0.75 µm; PTFE coating on request

Further options and accessories: see page 14 - 16

Basic type



All positions are available with special design (use code "Z").

<sup>(1)</sup> Local certificates see option 20/ page 14

## VN ..040 Pipe extension (screwed)

VN 1040



VN 2040



VN 5040



VN 6040



Housings VN 5040/ 6040



**Food grade materials**

**Cable entries** (by default)

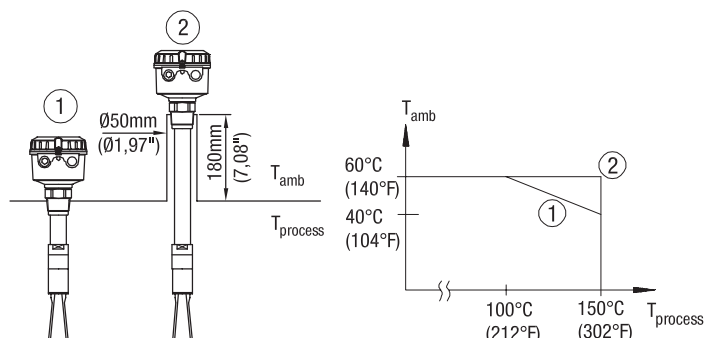
Depending on model selected, the following cable entries are supported (options see pos.23 on page 14):

Version:	Cable entries:
Flameproof (pos.2 T,D,L,5)	M20 x 1.5 (1x open conduit + 1x blind plug)
FM and CSA (pos.2 M,N,P,S,U)	NPT 1/2" tapered ANSI B1.20.1 (1x open conduit + 1x blind plug)
All other versions	M20 x 1.5 (1x screwed cable gland + 1x blind plug)

**Dimensions** see pages 17 - 20

applications up to 150°C (302°F)

- 1 without extended socket
- 2 with extended socket



## VN ..040 Pipe extension (screwed)

### Basic type

- VN 1040 .....
- VN 2040 .....
- VN 5040 .....
- VN 6040 .....

pos.2 **Certificate** (detailed Ex-markings: see page 20)

	Dust	Gas	Protection method
0	CE/ TR-CU	-	-
W	ATEX	Zone 20/21	Dust Ignition Proof
Y	ATEX	Zone 20/21	Intrinsic Safe/ Dust Ignition Proof
R	ATEX	Zone 20/21	Flameproof/ Increased Safety/ Dust Ignition Proof
T	ATEX	Zone 20/21	Flameproof/ Dust Ignition Proof
A	IEC-Ex	Zone 20/21	Dust Ignition Proof
B	IEC-Ex	Zone 20/21	Intrinsic Safe/ Dust Ignition Proof
C	IEC-Ex	Zone 20/21	Flameproof/ Increased Safety/ Dust Ignition Proof
D	IEC-Ex	Zone 20/21	Flameproof/ Dust Ignition Proof
M	FM/ CSA	-	General purpose
N	FM/ CSA	Cl. II, III, Div.1	Dust Ignition Proof
	CSA	A 20/21	
P	FM/ CSA	Cl. II, III, Div.1	Intrinsic Safe/ Dust Ignition Proof
	CSA	A 20/21	
S	FM/ CSA	Cl. II, III, Div.1	Flameproof/ Increased Safety/ Dust Ignition Proof
	CSA	A 20/21	
U	FM/ CSA	Cl. II, III, Div.1	Explosion Proof/ Dust Ignition Proof
	CSA	A 20/21	
E	TR-CU	Zone 20/21	Dust Ignition Proof
V	TR-CU	Zone 20/21	Intrinsic Safe/ Dust Ignition Proof
K	TR-CU	Zone 20/21	Flameproof/ Increased Safety/ Dust Ignition Proof
L	TR-CU	Zone 20/21	Flameproof/ Dust Ignition Proof
2	Further <sup>(1)</sup>	Zone 20/21	Dust Ignition Proof
3	Further <sup>(1)</sup>	Zone 20/21	Intrinsic Safe/ Dust Ignition Proof
4	Further <sup>(1)</sup>	Zone 20/21	Flameproof/ Increased Safety/ Dust Ignition Proof
5	Further <sup>(1)</sup>	Zone 20/21	Flameproof/ Dust Ignition Proof

pos.4 **Electronic module**

		Available for certificates (pos.2)									
		0	W/A/ E/2	Y/B/ V/3	R/C/ K/4	T/D/ L/5	M	N	P	S	U
E	Relay SPDT	19 .. 230 V AC	19 .. 55 V DC								
L	Relay DPDT	19 .. 230 V AC	19 .. 55 V DC								
		19 .. 230 V AC	19 .. 36 V DC								
D	PNP	18 .. 50 V DC									
K	2-wire without contact	19 .. 230 V AC/ DC									
M	NAMUR IEC 60947-5-6	2-wire									
N	8/16 mA or 4-20 mA	12.5 .. 36 V*	DC 2-wire								
N	8/16 mA	12.5 .. 36 V DC	2-wire								

\*30 V intrinsic safe

pos.5 **Process connection**

- A Thread R 1½", conical EN 10226 .....
- B Thread NPT 1½", conical ANSI B1.20.1 .....
- P Triclamp 2" (DN50) ISO 2852 .....
- L Flange DN100 PN6, EN 1092-1 (max. 6 bar (87 psi)) .....
- M Flange DN100 PN16, EN 1092-1 .....
- S Flange 2" 150lbs ANSI B16.5 (max. 10 bar (145 psi)) .....
- T Flange 3" 150lbs ANSI B16.5 (max. 10 bar (145 psi)) .....
- U Flange 4" 150lbs ANSI B16.5 (max. 10 bar (145 psi)) .....

pos.7 **Length of extension "L"**

- L 1.500 mm (59") (cuttable cable length) .....
- M 4.000 mm (157") (cuttable cable length) .....

pos.8 **Material of process connection/ extension "L"**

- 1 Stainless steel 1.4305 (303)/ Flange in 1.4541 (321) .....
- 2 Stainless steel 1.4404 (316L) .....

Vibrating rods polished, Ra ≤0.75 µm; PTFE coating on request

**Further options and accessories:** see page 14 - 16

Basic type

	<b>C</b>	<b>1</b>	<b>3</b>				
Position	1	2	3	4	5	6	7

← **Order code**

All positions are available with special design (use code "Z").

<sup>(1)</sup> Local certificates see option 20/ page 14

## VN ..050 Cable extension

VN 1050



VN 2050



VN 5050



VN 6050



### Housings VN 5050/ 6050



Standard



d (flameproof)



de (flameproof/  
increased safety)

### Cable entries (by default)

Depending on model selected, the following cable entries are supported (options see pos.23 on page 14):

Version:	Cable entries:
Flameproof (pos.2 T,D,L,5)	M20 x 1.5 (1x open conduit + 1x blind plug)
FM and CSA (pos.2 M,N,P,S,U)	NPT ½" tapered ANSI B1.20.1 (1x open conduit + 1x blind plug)
All other versions	M20 x 1.5 (1x screwed cable gland + 1x blind plug)

**Dimensions** see pages 17 - 20

## VN ..050 Cable extension

### Basic type

- VN 1050
- VN 2050
- VN 5050
- VN 6050

pos.2 **Certificate** (detailed Ex-markings: see page 20)

		Dust	Gas	Protection method
0	CE/ TR-CU	-	-	
W	ATEX	Zone 20/21	-	Dust Ignition Proof
Y	ATEX	Zone 20/21	Zone 0 and 0/1	Intrinsic Safe/ Dust Ignition Proof
R	ATEX	Zone 20/21	Zone 1	Flameproof/ Increased Safety/ Dust Ignition Proof
T	ATEX	Zone 20/21	Zone 1	Flameproof/ Dust Ignition Proof
A	IEC-Ex	Zone 20/21	-	Dust Ignition Proof
B	IEC-Ex	Zone 20/21	Zone 0 and 0/1	Intrinsic Safe/ Dust Ignition Proof
C	IEC-Ex	Zone 20/21	Zone 1	Flameproof/ Increased Safety/ Dust Ignition Proof
D	IEC-Ex	Zone 20/21	Zone 1	Flameproof/ Dust Ignition Proof
M	FM/ CSA	-	-	General purpose
N	FM/ CSA	Cl. II, III, Div.1	-	Dust Ignition Proof
	CSA	A 20/21		
P	FM/ CSA	Cl. I, III, Div.1	Cl. I Div.1/ Zone 0	Intrinsic Safe/ Dust Ignition Proof
	CSA	A 20/21		
S	FM/ CSA	Cl. II, III, Div.1	Zone 1	Flameproof/ Increased Safety/ Dust Ignition Proof
	CSA	A 20/21		
U	FM/ CSA	Cl. II, III, Div.1	Cl. I Div.1/ Zone 1	Explosion Proof/ Dust Ignition Proof
	CSA	A 20/21		
E	TR-CU	Zone 20/21	-	Dust Ignition Proof
V	TR-CU	Zone 20/21	Zone 0 and 0/1	Intrinsic Safe/ Dust Ignition Proof
K	TR-CU	Zone 20/21	Zone 1	Flameproof/ Increased Safety/ Dust Ignition Proof
L	TR-CU	Zone 20/21	Zone 1	Flameproof/ Dust Ignition Proof
2	Further <sup>(1)</sup>	Zone 20/21	-	Dust Ignition Proof
3	Further <sup>(1)</sup>	Zone 20/21	Zone 0 and 0/1	Intrinsic Safe/ Dust Ignition Proof
4	Further <sup>(1)</sup>	Zone 20/21	Zone 1	Flameproof/ Increased Safety/ Dust Ignition Proof
5	Further <sup>(1)</sup>	Zone 20/21	Zone 1	Flameproof/ Dust Ignition Proof

pos.4 **Electronic module**

		Available for certificates (pos.2)									
		0	W/A/ E/2	Y/B/ V/3	R/C/ K/4	T/D/ L/5	M	N	P	S	U
E	Relay SPDT	19 .. 230 V AC	19 .. 55 V DC								
L	Relay DPDT	19 .. 230 V AC	19 .. 55 V DC								
		19 .. 230 V AC	19 .. 36 V DC								
D	PNP	18 .. 50 V DC									
K	2-wire without contact	19 .. 230 V AC/ DC									
M	NAMUR IEC 60947-5-6	2-wire									
N	8/16 mA or 4-20 mA	12.5 .. 36 V* DC	2-wire								
N	8/16 mA	12.5 .. 36 V DC	2-wire								

\*30 V intrinsic safe

pos.5 **Process connection**

- A Thread R 1½", conical EN 10226
- B Thread NPT 1½", conical ANSI B1.20.1
- L Flange DN100 PN6, EN 1092-1 (max. 6 bar (87 psi))
- M Flange DN100 PN16, EN 1092-1
- S Flange 2" 150lbs ANSI B16.5
- T Flange 3" 150lbs ANSI B16.5
- U Flange 4" 150lbs ANSI B16.5

pos.7 **Length of extension "L"**  
 Z (starting from 0 mm) per 100 mm (3.94") or part thereof; min./ max. see below

pos.8 **Material of process connection/ extension "L"**

- 1 Stainless steel 1.4305 (303)/ Flange in 1.4541 (321)
- 2 Stainless steel 1.4404 (316L) .....on request

Vibrating rods polished, Ra ≤0.75 µm; PTFE coating on request

**Further options and accessories:** see page 14 - 16

Extension "L":  
 min. 750 mm (29,6")  
 max. 7,000 mm (276") for VN 1050/ 5050  
 max. 20,000 mm (787") for VN 2050/ 6050  
 max. 10,000 mm (394") for VN 2050/ 6050 with pos.4 M

Basic type

	D	1	3	Z	1
Position	1	2	3	4	5

- **L =**  **Order code**

All positions are available with special design (use code "Z").

<sup>(1)</sup> Local certificates see option 20/ page 14

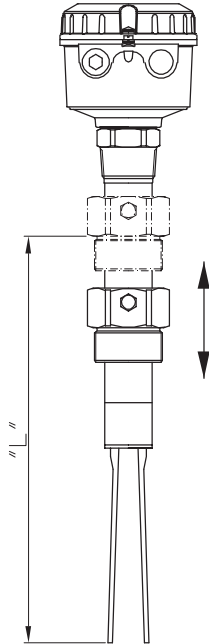
## Options

VN 1020	VN 2020	VN 5020	VN 6020	VN 1030	VN 2030	VN 5030	VN 6030	VN 1040	VN 2040	VN 5040	VN 6040	VN 1050	VN 2050	VN 5050	VN 6050			
•	•	•	•	•	•	•	•	•	•	•	•	•	•	•	•	pos.11 x	<b>Guarantee extension to 5 years</b> .....	•
																	<b>Local certificates</b> (Zone and type of protection acc. to selection in pos.2 2 to pos.2 5)	
																pos.20 a	INMETRO	•
1	1	1	1	1	1	2	2	1	1	2	2	1	1	2	2	pos.20 b	KC	•
3	3	4	4	3	3	4	4	3	3	4	4	3	3	4	4	pos.20 c	CCC	•
•	•	5	5	•	•	5	5	•	•	5	5	•	•	5	5	pos.21	<b>Weather protection cover</b> .....	•
																	(for Ex only approved for Zone 2 or 22 or Div. 2)	
																	<b>Mounting set for flange mounting</b>	
																pos.22 c		•
																pos.22 d		•
																pos.22 e		•
																pos.22 f		•
																	* material stainless steel A2 **max. 250°C (482°F), material not food grade	
																	<b>Cable entry</b> Selection of the following options only necessary, if a deviation from the default cable gland/ conduit is required:	
•	•	6	6	•	•	6	6	•	•	6	6	•	•	6	6	pos.23 x	M20 x 1.5 2x screwed cable gland .....	•
		7	7			7	7			7	7			7	7	pos.23 y	M20 x 1.5 1x screwed cable gland +1x blind plug .....	•
•	•	8	8	•	•	8	8	•	•	8	8	•	•	8	8	pos.23 a	NPT ½" tapered ANSI B1.20.1 (1x conduit + 1x Ex-d blind plug) .....	•
•	•	•	•	•	•	•	•	•	•	•	•	•	•	•	•	pos.23 b	NPT ¾" tapered ANSI B1.20.1 (1x conduit + 1x Ex-d blind plug) .....on req.	•
																	<b>Sliding sleeve</b> (max. 16 bar (232 psi), max. 150°C (302°F)) process connection as follows or flange as choosen; with Triclamp on request Not for Ex applications Zone 0/1 (Cat. 1/2) with separation wall	
																pos.25 w	G2" ISO 228 material 1.4305 (303) .....	•
																pos.25 x	G2" ISO 228 material 1.4404 (316L) .....	•
																pos.25 u	NPT 2" ANSI B1.20.1 material 1.4305 (303) .....	•
																pos.25 v	NPT 2" ANSI B1.20.1 material 1.4404 (316L) .....	•
		9	9	9	9											pos.25 t	Flange 1.4305/ 1.4541 (303/321) .....	•
		9	9	9	9											pos.25 s	Flange 1.4404 (316L) .....	•
																	<b>Special versions</b>	
•	•			•	•			•	•			•	•			pos.26 x	Enhanced sensitivity (>5 g/l (0.3 lb/ft³)) .....	•
10	10			10	10			10	10			10	10			pos.26 a	Vibrasil® 70 (sensitivity <5 g/l (0.3 lb/ft³)) .....	•
10	10			10	10			10	10			10	10			pos.26 b	Vibrasil® 90 (sensitivity <5g/l (0.3 lb/ft³)) .....	•
10	10			10	10			10	10							pos.26 c	Adjustable sensitivity for interface applications (only with CE) .....	•
•	•	11	11	•	•	11	11									pos.26.1	Separate housing cable length 1.5 m (59") including hexagon nut .....	•
•	•	11	11	•	•	11	11									pos.26.2	Separate housing cable length 4.0 m (157") including hexagon nut .....	•
•	•	11	11	•	•	11	11									pos.26.3	Separate housing cable length 1.5 m (59") including hexagon nut and angle bracket (aluminium) .....	•
•	•	11	11	•	•	11	11									pos.26.4	Separate housing cable length 4.0 m (157") including hexagon nut and angle bracket (aluminium) .....	•
																	<b>Signal lamp</b>	
12	12	12	12	12	12	12	12	12	12	12	12	12	12	12	12	pos.27 a	LED, mounted in cable entry M20 x 1.5, green .....	•
12	12	12	12	12	12	12	12	12	12	12	12	12	12	12	12	pos.27 c	LED, mounted in cable entry M20 x 1.5, red .....	•
13	13	13	13	13	13	13	13	13	13	13	13	13	13	13	13	pos.27 b	LED (glass window in lid) .....	•
																	<b>Plug</b>	
14	14	14	14	14	14	14	14	14	14	14	14	14	14	14	14	pos.29 x	Valve connector (incl. mating plug) 4-pole (incl. PE) .....	•

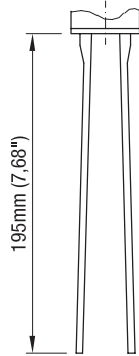
- 1 Available for pos.2 2
- 2 Available for pos.2 2, 5
- 3 Available for pos.2 2, 3
- 4 Available for pos.2 2, 3, 5
- 5 Available for all versions except explosionproof/ flameproof and increased safety versions (pos.2 R,T,C,D,S,U,K,L,4,5).
- 6 Available for all versions except flameproof version (pos.2 T,D,U,L,5).
- 7 Available for FM/ CSA versions (pos.2 M,N,P,S) except flameproof version (pos.2 U).
- 8 Available for all versions except for FM/ CSA versions (pos.2 M,N,P,S,U).
- 9 Flange and material as selected in pos.5 and pos.8.
- 10 Available only with electronic module "Relais SPDT" (pos.4 E).  
Due to the increased vibrating surface the Vibrasil® 70 is even more sensitive than the Vibrasil® 90.
- 11 Available for all versions. Electronic module "8/16 mA" and "8/16 mA or 4-20 mA" (pos.4 N) not for FM/ CSA (pos.2 M,N,P,S,U).
- 12 Available for CE (pos.2 0), not in combination with weather protection cover (pos.21) and cable entries pos.23 x,a,b.  
For electronic module Relais SPDT and DPDT (pos.4 E,L) 2 LED's (24V, 80-260V) will be delivered. For PNP (pos.4 D) a 24 V LED will be delivered. For other electronics on request.
- 13 Available for all versions except explosionproof/ flameproof version (pos.2 R,T,C,D,S,U,K,L,4,5), not with weather protection cover (pos.21).
- 14 Available only for CE (pos.2 0).

## Options

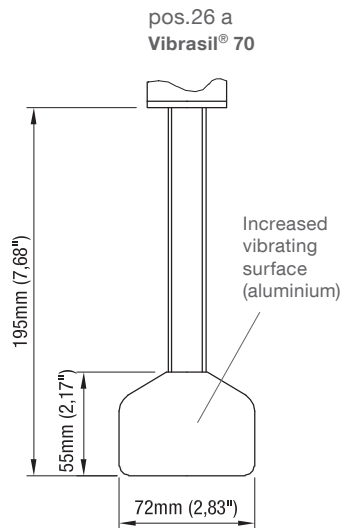
pos.25  
Sliding sleeve



pos.26 x  
Enhanced  
sensitivity

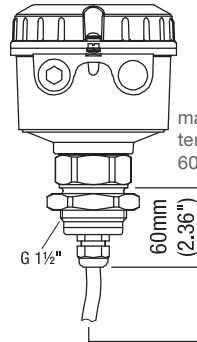


pos.26 b  
Vibrasil® 90

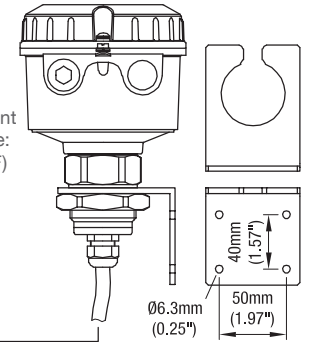


pos.26 a  
Vibrasil® 70

pos.26 1/2  
Separate housing  
without angle bracket



pos.26 3/4  
Separate housing  
with angle bracket



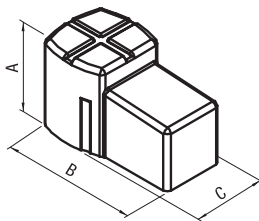
max. ambient  
temperature:  
60°C (140°F)

min. bending  
radius of cable:  
50 mm (2")

grounding terminal  
for version with  
Ex approval

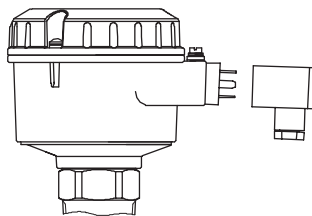
max. Process temperature:  
150°C (302°F)  
(Ex 110°C (230°F))

pos.21  
Weather protection  
cover



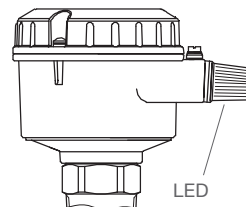
	VN 10..0	VN 50..0
	VN 20..0	VN 60..0
A	100 mm (3.94")	130 mm (5.12")
B	165 mm (6.5")	200 mm (7.87")
C	88 mm (3.46")	125 mm (4.92")

pos.29  
Valve connector

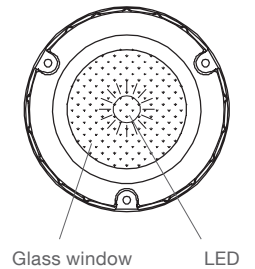


Signal lamp

pos.27 a,c  
LED, mounted in cable  
entry M20 x 1.5



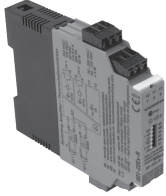
pos.27 b  
LED (glass window  
in lid)



## Options / Accessories

### Accessories

Minimum order value for separate orders of spare parts or accessories is 75 €.



**NAMUR Isolating Switching Amplifier** Protection method [EEx ia] IIC  
 (for Electronic module pos.4 M)

Terminal housing. Switchable signal output logic. Each channel has one independent output.

Channels	Signal output	Monitoring*	Supply	Manufacturer/ Type
				Turck
1	Relay (2x SPST)	x	20 - 125 V DC, 20 - 250 V AC	IM1-12EX-R
	2 transistor outputs (short-circuit proof, floating)	x		IM1-12EX-T
2	Relay (2x SPST)	x	20 - 125 V DC, 20 - 250 V AC	IM1-22EX-R
	2 transistor outputs (short-circuit proof, floating)	x		IM1-22EX-T
4	Relais (4x SPST)	x	20 - 125 V DC, 20 - 250 V AC	IM1-451EX-R
	4 transistor outputs (short-circuit proof, floating)	x		IM1-451EX-T

\* Input circuit monitoring for wire-break, partial for short-circuit.  
 Partial additional monitoring signal output.

Price on request



**8/16 mA Limit Value Monitor**  
 (for Electronic module pos.4 N)

**Limit Value Monitor** Type IM43-13-R

Input: 1 channel 4-20 mA

Output: 3 Limit Value Relays for monitoring of 3 limit values of a current signal.

Terminal housing. Supply: 20 - 125 V DC, 20 - 250 V AC. Manufacturer: Turck.

Use in Hazardous Locations only with additional connected Isolating Transducer IM33.

**Isolating Transducer** Type IM33-11Ex-Hi/ 24 V DC (1 channel)

**Isolating Transducer** Type IM33-11Ex-Hi/ 24 V DC (2 channels)

Protection method [EEx ia] IIC.

Terminal housing.

Input/ output: 0/4-20 mA (galvanic isolated). Supply: 19 - 29 V DC.

Price on request

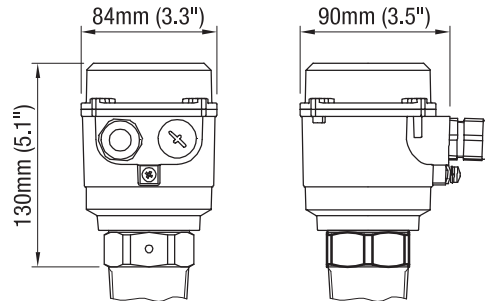


## Dimensions

### Housing versions

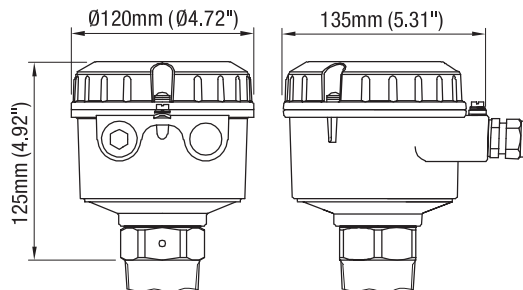
#### Series VN 1000/ 2000

Standard



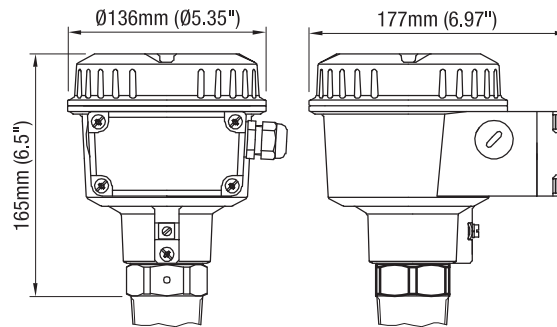
#### Series VN 5000/ 6000

Standard



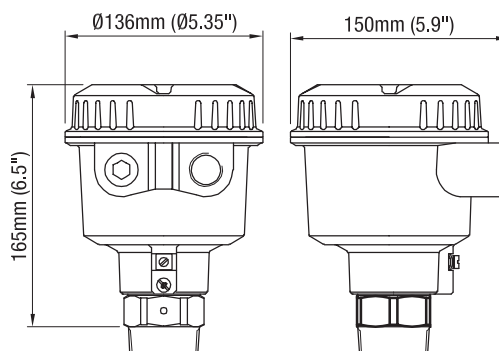
de

Explosionproof with  
increased safety  
terminal box



d

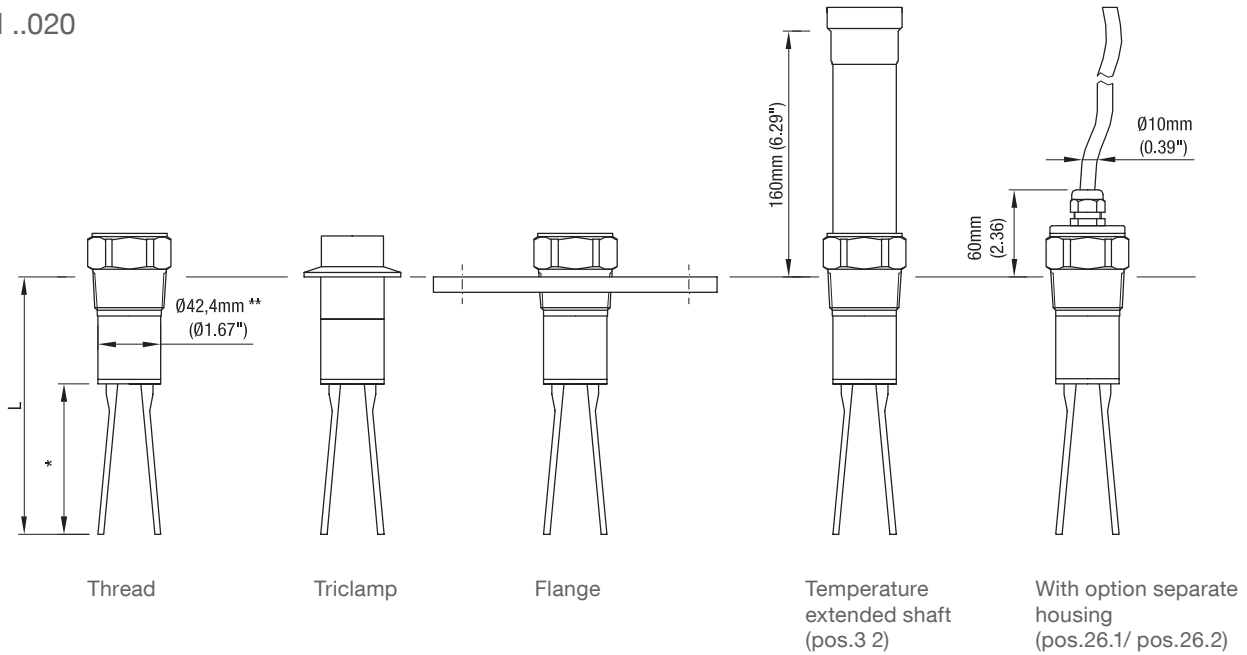
Flameproof/  
explosionproof



## Dimensions

### Extensions

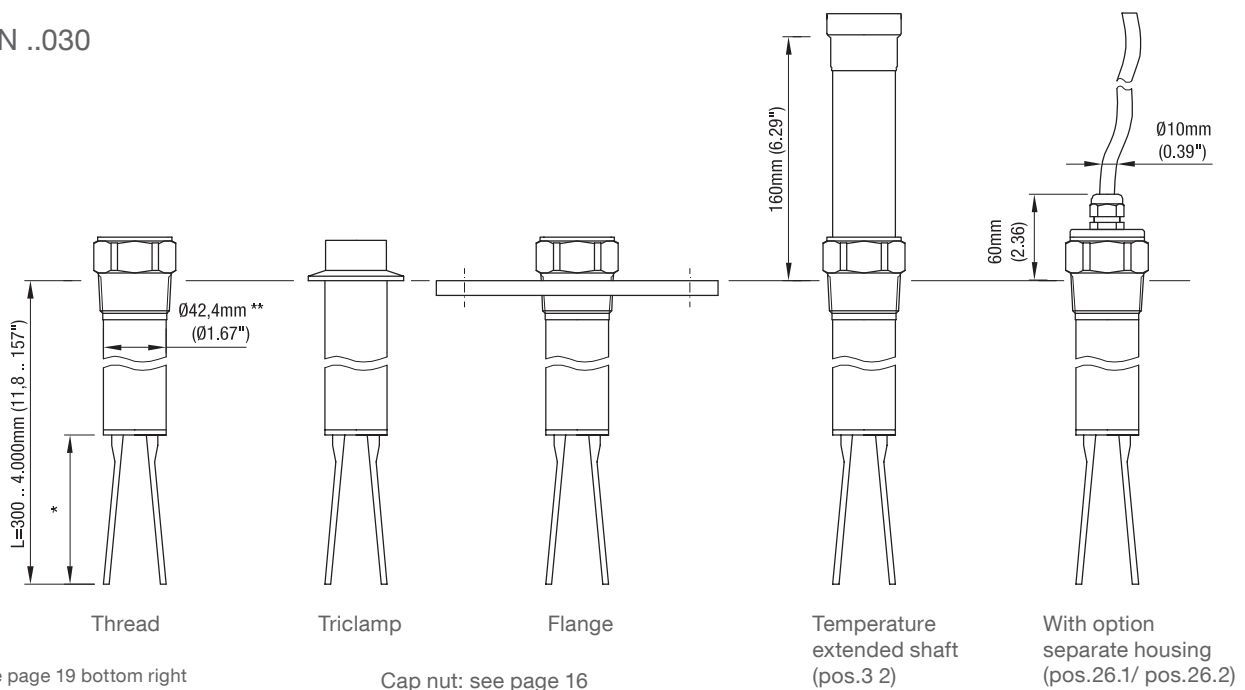
VN ..020



	L	
	without option	with option: Enhanced sensitivity (pos.26 x) Vibrasil® 70 (pos.26 a) Vibrasil® 90 (pos.26 b)
VN 1020 VN 5020	165 mm (6.5")	
VN 2020 VN 6020	235 mm (9.25")	260 mm (10.24")

\* see page 19 bottom right  
 \*\* welding seam max.  $\varnothing 43.8$  mm (1.72")

VN ..030

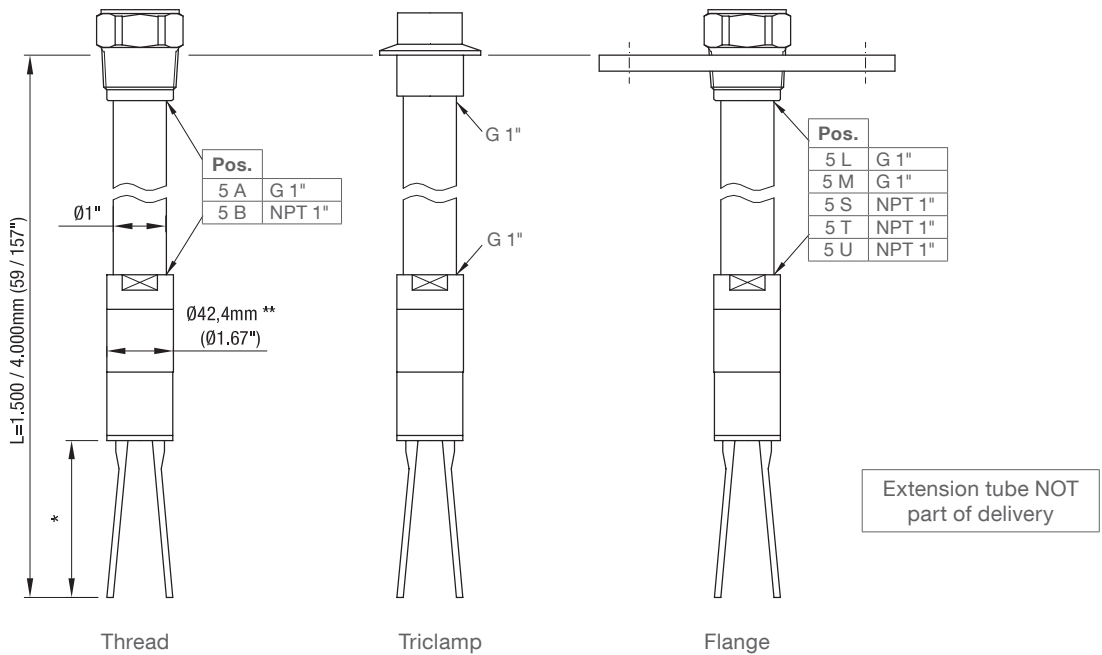


\* see page 19 bottom right  
 \*\* welding seam max.  $\varnothing 43.8$  mm (1.72")

Cap nut: see page 16

## Dimensions

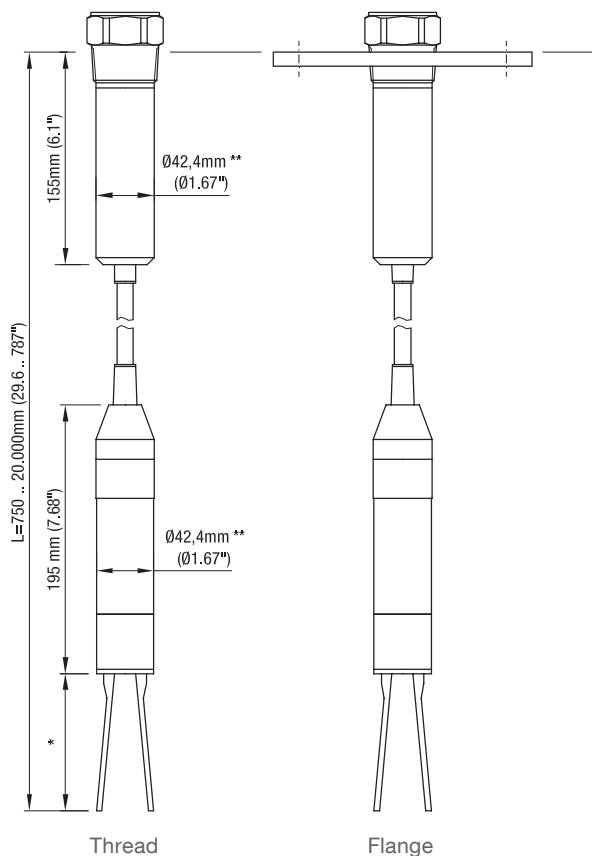
VN ..040



\* see below right

\*\* welding seam max.  $\varnothing 43.8 \text{ mm} (1.72\text{'})$

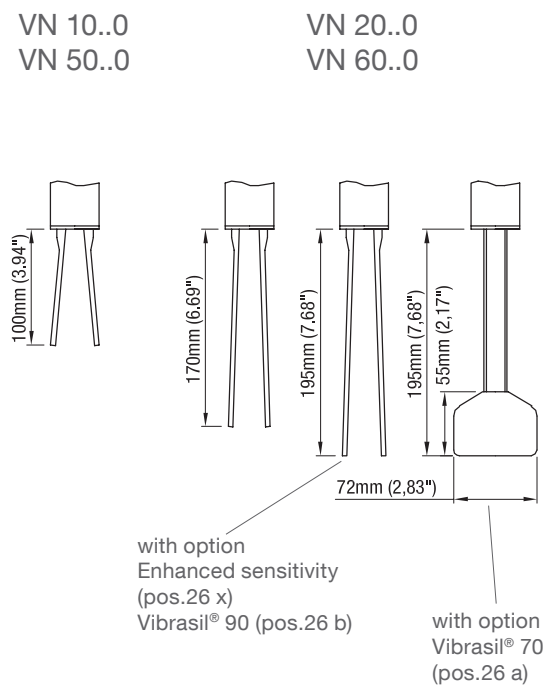
VN ..050



\* see below right

\*\* welding seam max.  $\varnothing 43.8 \text{ mm} (1.72\text{'})$

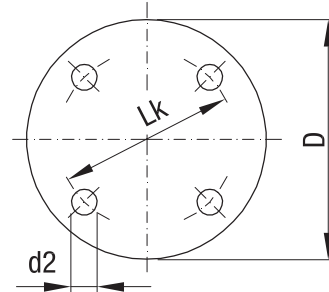
\* Length of oscillating rods



## Dimensions

### Flanges

Code	type	number of holes	d2	Lk	D	T (thickness)
L	Flange DN100 PN6	4	18 mm (0.71")	170 mm (6.69")	210 mm (8.27")	16 mm (0.63")
M	Flange DN100 PN16	8	18 mm (0.71")	180 mm (7.09")	220 mm (8.66")	20 mm (0.79")
S	Flange 2" 150lbs	4	19.1 mm (0.75")	120.7 mm (4.75")	152.4 mm (6.01")	19.1 mm (0.75")
T	Flange 3" 150lbs	4	19.1 mm (0.75")	152.4 mm (6.01")	190.5 mm (7.5")	23.9 mm (0.94")
U	Flange 4" 150lbs	8	19.1mm (0.75")	190.5mm (7.5")	228.6mm (9")	23.9mm (0.94")



## Detailed Ex-markings

Code	Certificate	Housing
pos.2 0	CE	Standard
pos.2 W	ATEX II 1/2D Ex ta/tb IIIC T! Da/Db	Standard
pos.2 Y	ATEX II 1G Ex ia IIC T! Ga and 1/2G Ex ia IIC T! Ga/Gb ATEX II 1/2D Ex ta/tb IIIC T! Da/Db	Standard
pos.2 R	ATEX II 2G Ex db eb ia* IIC T! Gb and ATEX II 1/2D Ex ta/tb IIIC T! Da/Db	de
pos.2 T	ATEX II 2G Ex db ia* IIC T! Gb and ATEX II 1/2D Ex ta/tb IIIC T! Da/Db	d
pos.2 A	IEC-Ex ta/tb IIIC T! Da/Db	Standard
pos.2 B	IEC-Ex ia IIC T! Ga and Ex ia IIC T! Ga/Gb IEC-Ex ta/tb IIIC T! Da/Db	Standard
pos.2 C	IEC-Ex db eb ia* IIC T! Gb and IEC-Ex ta/tb IIIC T! Da/Db	de
pos.2 D	IEC-Ex db ia* IIC T! Gb and IEC-Ex ta/tb IIIC T! Da/Db	d
pos.2 M	FM/ CSA general purpose	Standard
pos.2 N	FM/ CSA DIP Cl. II, III Div. 1 Gr. E,F,G CSA Ex DIP A20/21	Standard
pos.2 P	FM/ CSA IS Cl. I, II, III Div. 1 Gr. A-G FM Cl. I Zone 0 and 0/1 AEx ia IIC CSA Cl. I Zone 0 and 0/1 Ex ia IIC and CSA Ex DIP A20 and A20/21	Standard
pos.2 S	FM Cl. I Zone 1 AEx de [ia]* IIC and FM/ CSA Cl. II,III Div. 1 Gr. E,F,G CSA Cl. I Zone 1 Ex de [ia]* IIC and CSA Ex DIP A20/21	de
pos.2 U	FM XP-IS Cl. I,II,III Div. 1 Gr. B-G* and FM Cl. I Zone 1 AEx d [ia] IIC* CSA XP-IS Cl. I,II,III Div. 1 Gr. B-G* CSA Cl. I Zone 1 Ex d [ia]* IIC and CSA Ex DIP A20/21	d
pos.2 E	TR-CU Ex ta/tb IIIC T120°C...T150°C Da/Db X	Standard
pos.2 V	TR-CU 0Ex ia IIC T6...T3 Ga X and Ga/Gb Ex ia IIC T6...T3 X Ex ta/tb IIIC T80°C...T150°C Da/Db X	Standard
pos.2 K	TR-CU 1Ex d e [ia]* IIC T4...T3 Gb X Ex ta/tb IIIC T120°C...T150°C Da/Db X	de
pos.2 L	TR-CU 1Ex d [ia]* IIC T4...T3 Gb X Ex ta/tb IIIC T120°C...T150°C Da/Db X	d
pos.2 2	+pos.20 a INMETRO Ex ta/tb IIIC T120°C...T150°C Da/Db IP6X	Standard
pos.2 3	+pos.20 a INMETRO Ex ia IIC T6...T3 Ga IP6X and Ex ia IIC T6...T3 Ga/Gb IP6X Ex ta/tb IIIC T80°C...T150°C Da/Db IP6X	Standard
pos.2 4	+pos.20 a INMETRO Ex db eb [ia Ga]* IIC T4...T3 Gb IP66 Ex ta/tb IIIC T120°C...T150°C Da/Db IP6X	de
pos.2 5	+pos.20 a INMETRO Ex db [ia Ga]* IIC T4...T3 Gb IP66 Ex ta/tb IIIC T120°C...T150°C Da/Db IP6X	d
pos.2 2	+pos.20 b KC Ex t IIIC T!	Standard
pos.2 5	+pos.20 b KC Ex d [ia] IIC T! Ex t IIIC T!	d
pos.2 2	+pos.20 c CCC Ex tD A21 IP6X T!	Standard
pos.2 3	+pos.20 c CCC Ex ia IIC T! Ga and Ex ia IIC T! Ga/Gb Ex tD A21 IP6X T!	Standard
pos.2 5	+pos.20 c CCC Ex d IIC T! Ex tD A21 IP6X T!	d

\* ia or IS is not available for versions VN .020 without temperature extended shaft (pos.3 1).  
 In this case no intrinsic safe connection between Electronic module and Vibrating fork is used).

## Electrical installation

### Universal voltage

Relay SPDT

**Power supply:**

19 .. 230 V 50 - 60 Hz +10% 8 VA  
 19 .. 55 V DC +10% 1.5 W

**Signal output:**

Floating relay SPDT

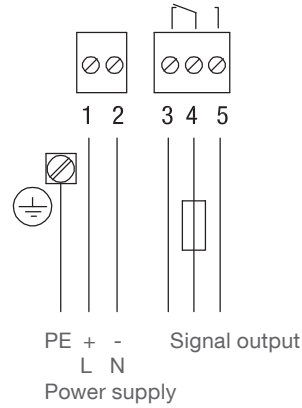
VN 1000/ 2000:

AC max. 253 V, 4 A, 500 VA at cos Phi = 1  
 DC max. 253 V, 4 A, 60 W

VN 5000/ 6000:

AC max. 250 V, 8 A, non inductive  
 DC max. 30 V, 5 A, non inductive

Fuse: max. 10 A, slow or fast, HBC, 250 V



### Universal voltage

Relay DPDT

**Power supply::**

19 .. 230 V 50 - 60 Hz +10% 18 VA  
 19 .. 55 V (36 V\*) DC +10% 2 W

**Signal output:**

Floating relay DPDT

VN 1000/ 2000:

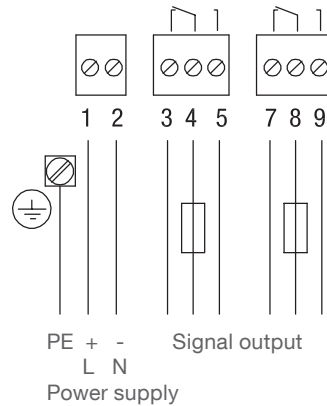
AC max. 253 V, 4 A, 500 VA at cos Phi = 1  
 DC max. 253 V, 4 A, 60 W

VN 5000/ 6000:

AC max. 250 V, 8 A, non inductive  
 DC max. 30 V, 5 A, non inductive

Fuse: max. 10 A, slow or fast, HBC, 250 V

\* Version with intrinsic safe connection between electronic module and vibration fork (see pos.4 in price list)



### 3-wire

PNP

**Power supply:**

18 .. 50 V DC +10% 1.5 W

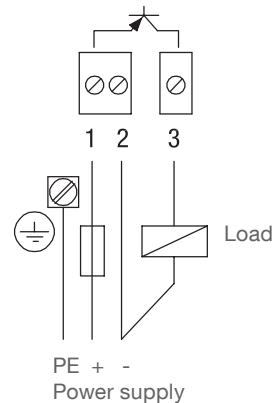
Fuse: max. 4 A, slow or fast, HBC, 250 V

**Signal output:**

max. 0.4 A

Load for example:

PLC, relay, contactor, bulb



## Electrical installation

### 2-wire

without contact

#### Power supply:

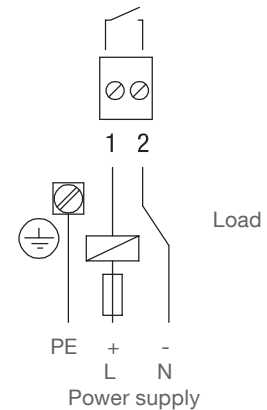
19 .. 230V 50/ 60 Hz +10% 1.5 VA  
 19 .. 230V DC +10% 1 W

#### Load:

min. 10 mA  
 max. 0.5 A permanent  
 (detailed ratings see  
 "Technical data")

Load for example:  
 relay, contactor, bulb

Fuse: max. 4 A, slow or fast, HBC, 250 V



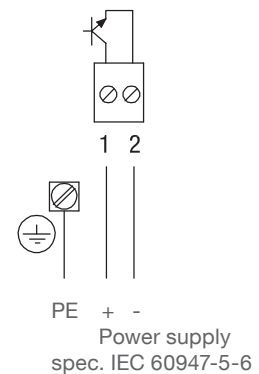
### NAMUR

IEC 60947-5-6

#### Power supply:

ca. 7 .. 9 V DC  
 intrinsic safe  
 (spec. IEC 60947-5-6)

<1mA or >2.2 mA  
 (spec. IEC 60947-5-6)



### 8/16 mA or 4-20 mA

#### Power supply:

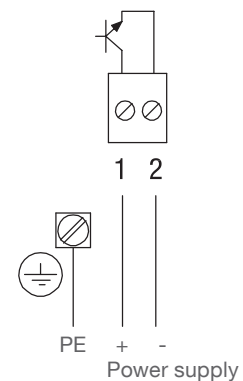
Non intrinsic safe version:  
 12.5 .. 36 V DC +0%

Intrinsic safe version:  
 12.5 .. 30 V DC +0%

#### Signal output

Setting 8/16 mA:  
 8 mA or 16 mA

Setting 4-20 mA:  
 Output current depends on the  
 vibration amplitude of the fork: 6 mA for  
 dampened vibration and 20 mA for full  
 vibration.



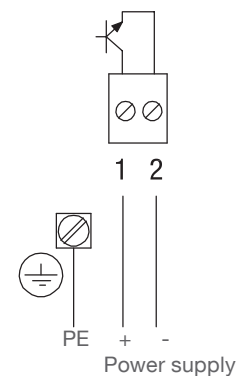
### 8/16 mA

#### Power supply:

12.5 .. 36 V DC +0%

#### Signal output

8 mA or 16 mA



## Spare parts

### Electronic modules VN 1000/ VN 5000

Minimum order value for separate orders of spare parts or accessories is 75 €.

Electronic module	Electronic module number	VN 1020	VN 1020 VN 1030 VN 1040 separate housing	VN 1030 VN 1040	VN 1050	VN 5020	VN 5020 temp. extended shaft	VN 5020 VN 5030 separate housing	VN 5030 VN 5040	VN 5050	Prices Electronic module
<b>Relay (SPDT)</b> 19 .. 230 V AC 19 .. 55 V DC	pl400932	0, W, A, E, 2	0	0, W, A, E, 2	0	0, M, W, A, N, R, C, S, T, D, U, E, K, L, 2, 4, 5	0, M, W, A, N, E, 2	0, M	0, M, W, A, N, E, 2	0, M	•
	pl400120 *		W, A, E, 2		W, A, E, 2	R, C, S, T, D, U, K, L, 4, 5		W, A, N, R, C, S, T, D, U, E, K, L, 2, 4, 5		W, A, N, R, C, S, T, D, U, E, K, L, 2, 4, 5	•
<b>Relay (DPDT)</b> 19 .. 230 V AC 19 .. 55 V DC	pl400247	0, W, A, E, 2	0	0, W, A, E, 2	0	0, M, W, A, N, R, C, S, T, D, U, E, K, L, 2, 4, 5	0, M, W, A, N, E, 2	0, M	0, M, W, A, N, E, 2	0, M	•
	pl400052 *		W, A, E, 2		W, A, E, 2	R, C, S, T, D, U, K, L, 4, 5		W, A, N, R, C, S, T, D, U, E, K, L, 2, 4, 5		W, A, N, R, C, S, T, D, U, E, K, L, 2, 4, 5	•
<b>PNP</b> 18 .. 50 V DC	pl400246	0, W, A, E, 2	0	0, W, A, E, 2	0	0, M, W, A, N, R, C, S, T, D, U, E, K, L, 2, 4, 5	0, M, W, A, N, E, 2	0, M	0, M, W, A, N, E, 2	0, M	•
	pl400123*		W, A, E, 2		W, A, E, 2	R, C, S, T, D, U, K, L, 4, 5		W, A, N, R, C, S, T, D, U, E, K, L, 2, 4, 5		W, A, N, R, C, S, T, D, U, E, K, L, 2, 4, 5	•
<b>2-wire without contact</b> 19 .. 230 V AC/DC	pl400242	0, W, A, E, 2	0	0, W, A, E, 2	0						•
	pl400122					0, M, W, A, N, R, C, S, T, D, U, E, K, L, 2, 4, 5	0, M, W, A, N, E, 2	0, M	0, M, W, A, N, E, 2	0, M	•
<b>8/16 mA</b> 2-wire	pl400122 *		W, A, E, 2		W, A, E, 2	R, C, S, T, D, U, K, L, 4, 5		W, A, N, R, C, S, T, D, U, E, K, L, 2, 4, 5		W, A, N, R, C, S, T, D, U, E, K, L, 2, 4, 5	•
	pl400062*		W, A, E, 2		W, A, E, 2	R, C, T, D, K, L, 4, 5		W, A, R, C, T, D, E, K, L, 2, 4, 5		W, A, R, C, T, D, E, K, L, 2, 4, 5	•
<b>8/16 mA or 4-20 mA</b> 2-wire intrinsic safe	pl400093	0	0	0	0	0	0	0	0	0	•
	pl400090 **	W, A, Y, B, E, V, 2, 3	Y, B, V, 3	W, A, Y, B, E, V, 2, 3	Y, B, V, 3	W, A, Y, B, R, C, T, D, E, V, K, L, 2, 3, 4, 5	W, A, Y, B, E, V, 2, 3	Y, B, V, 3	W, A, Y, B, E, V, 2, 3	Y, B, V, 3	•

\* Intrinsic safe connection between Electronic module and Vibrating fork

\*\* Intrinsic safe from supply and intrinsic safe between Electronic module and Vibrating fork



## Spare parts

### Electronic modules VN 2000/ VN 6000

Minimum order value for separate orders of spare parts or accessories is 75 €.

Electronic module number	Sensitivity (see pos.26)	Elektronikmodul	VN 2020	VN 2020 separate housing	VN 2030 separate housing	VN 2040	VN 2050	VN 6020	VN 6020 temp. extended shaft	VN 6020 separate housing	VN 6030 VN 6040	VN 6050	Prices Electronic module
Relay (SPDT) 19 .. 230 V AC 19 .. 55 V DC	20 g/l (1,2 lb/ft³)	Relay (SPDT) 19 .. 230 V AC 19 .. 55 V DC	0, W, A, E, 2	0	0, W, A, E, 2	0	W, A, E, 2	0, M, W, A, N, R, C, S, T, D, U, E, K, L, 2, 4, 5	0, M, W, A, N, E, 2	0, M	0, M, W, A, N, E, 2	0, M	•
	5 g/l (0,3 lb/ft³)		0, W, A, E, 2	0	0, W, A, E, 2	0	W, A, E, 2	0, M, W, A, N, R, C, S, T, D, U, E, K, L, 2, 4, 5	0, M, W, A, N, E, 2	0, M	0, M, W, A, N, E, 2	0, M	•
Relay (DPDT) 19 .. 230 V AC 19 .. 55 V DC	Vibrasil® 70	Relay (DPDT) 19 .. 230 V AC 19 .. 55 V DC	0, W, A, E, 2	W, A, E, 2	0, W, A, E, 2	W, A, E, 2	W, A, E, 2	0, M, W, A, N, R, C, S, T, D, U, E, K, L, 2, 4, 5	0, M, W, A, N, E, 2	0, M	0, M, W, A, N, E, 2	0, M	•
	Vibrasil® 90		0, W, A, E, 2	W, A, E, 2	0, W, A, E, 2	W, A, E, 2	W, A, E, 2	0, M, W, A, N, R, C, S, T, D, U, E, K, L, 2, 4, 5	0, M, W, A, N, E, 2	0, M	0, M, W, A, N, R, C, S, T, D, U, E, K, L, 2, 4, 5	0, M	•
Relay (DPDT) 19 .. 230 V AC 19 .. 36 V DC	20g/l (1,2 lb/ft³)	Relay (DPDT) 19 .. 230 V AC 19 .. 36 V DC	0, W, A, E, 2	0	0, W, A, E, 2	0	0	0, M, W, A, N, R, C, S, T, D, U, E, K, L, 2, 4, 5	0, M, W, A, N, E, 2	0, M	0, M, W, A, N, E, 2	0, M	•
	5 g/l (0,3 lb/ft³)		0, W, A, E, 2	W, A, E, 2	0, W, A, E, 2	W, A, E, 2	W, A, E, 2	0, M, W, A, N, R, C, S, T, D, U, E, K, L, 2, 4, 5	0, M, W, A, N, E, 2	0, M	0, M, W, A, N, R, C, S, T, D, U, E, K, L, 2, 4, 5	0, M	•
PNP 18 .. 50 V DC	20 g/l (1,2 lb/ft³)	PNP 18 .. 50 V DC	0, W, A, E, 2	0	0, W, A, E, 2	0	0	0, M, W, A, N, R, C, S, T, D, U, E, K, L, 2, 4, 5	0, M, W, A, N, E, 2	0, M	0, M, W, A, N, E, 2	0, M	•
	5 g/l (0,3 lb/ft³)		0, W, A, E, 2	W, A, E, 2	0, W, A, E, 2	W, A, E, 2	W, A, E, 2	0, M, W, A, N, R, C, S, T, D, U, E, K, L, 2, 4, 5	0, M, W, A, N, E, 2	0, M	0, M, W, A, N, R, C, S, T, D, U, E, K, L, 2, 4, 5	0, M	•
2-wire without contact 19 .. 230 V AC/ DC	20 g/l (1,2 lb/ft³)	2-wire without contact 19 .. 230 V AC/ DC	0, W, A, E, 2	0	0, W, A, E, 2	0	0	0, M, W, A, N, R, C, S, T, D, U, E, K, L, 2, 4, 5	0, M, W, A, N, E, 2	0, M	0, M, W, A, N, E, 2	0, M	•
	5 g/l (0,3 lb/ft³)		0, W, A, E, 2	W, A, E, 2	0, W, A, E, 2	W, A, E, 2	W, A, E, 2	0, M, W, A, N, R, C, S, T, D, U, E, K, L, 2, 4, 5	0, M, W, A, N, E, 2	0, M	0, M, W, A, N, R, C, S, T, D, U, E, K, L, 2, 4, 5	0, M	•
NAMUR EC 60947-5-6 2-wire intrinsic safe	20 g/l (1,2 lb/ft³)	NAMUR EC 60947-5-6 2-wire intrinsic safe	Y, B, V, 3	Y, B, V, 3	Y, B, V, 3	Y, B, V, 3	Y, B, V, 3	Y, B, P, V, 3	Y, B, P, V, 3	Y, B, P, V, 3	Y, B, P, V, 3	Y, B, P, V, 3	•
	5 g/l (0,3 lb/ft³)		Y, B, V, 3	W, A, E, 2	Y, B, V, 3	W, A, E, 2	W, A, E, 2	Y, B, P, V, 3	Y, B, P, V, 3	Y, B, P, V, 3	Y, B, P, V, 3	Y, B, P, V, 3	Y, B, P, V, 3
8/16 mA 2-wire	20 g/l (1,2 lb/ft³)	8/16 mA 2-wire	0	0	0	0	0	0	0	0	0	0	•
	5 g/l (0,3 lb/ft³)		0	W, A, E, 2	0	W, A, E, 2	0	0	0	0	0	0	0
8/16 mA or 4-20 mA	20 g/l (1,2 lb/ft³)	8/16 mA or 4-20 mA	W, A, Y, B, E, V, 2, 3	Y, B, V, 3	Y, B, V, 3	Y, B, V, 3	Y, B, V, 3	W, A, Y, B, R, C, T, D, E, V, K, L, 2, 3, 4, 5	W, A, Y, B, E, V, 2, 3	Y, B, V, 3	W, A, Y, B, E, V, 2, 3	Y, B, V, 3	•
	5 g/l (0,3 lb/ft³)		W, A, Y, B, E, V, 2, 3	Y, B, V, 3	Y, B, V, 3	Y, B, V, 3	Y, B, V, 3	W, A, Y, B, R, C, T, D, E, V, K, L, 2, 3, 4, 5	W, A, Y, B, E, V, 2, 3	Y, B, V, 3	W, A, Y, B, E, V, 2, 3	Y, B, V, 3	•
8/16 mA or 4-20 mA 2-wire intrinsic safe	20 g/l (1,2 lb/ft³)	8/16 mA or 4-20 mA 2-wire intrinsic safe	0	0	0	0	0	0	0	0	0	0	•
	5 g/l (0,3 lb/ft³)		0	W, A, E, 2	0	W, A, E, 2	0	0	0	0	0	0	0

\* Intrinsic safe connection between Electronic module and Vibrating fork  
 \*\* Intrinsic safe from supply and intrinsic safe between Electronic module and Vibrating fork