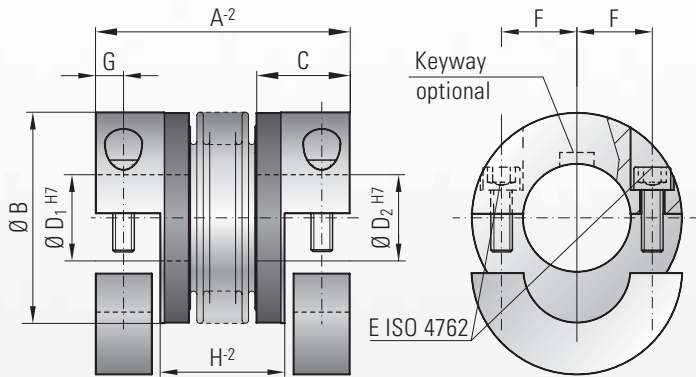




MODEL BKH

TECHNICAL SPECIFICATIONS



with split hub

Ordering example

BKH / 80 / 94 / 20 / 25.4 / XX

Model
Series / Nm
Overall length
Ø D1 H7
Ø D2 H7
Non standard e.g. stainless steel

Properties:

- easy to mount
- suited for space restricted installations
- low moment of inertia

Material:

Bellows made of highly flexible high-grade stainless steel, hub material: see table below

Design:

Both clamping hubs are completely separable, due to split hubs and two radial screws ISO 4762 on each hub. Any imbalance of the clamping hubs is compensated for by balancing bores located on the inside of the hub.

Temperature range:

-30 to +120° C (3.6 F - 270 F)

Speeds:

Up to 10,000 rpm, in excess of 10,000 available with a finely balanced version.

Service life:

These couplings are maintenance-free if the technical ratings are not exceeded.

Backlash:

Absolutely backlash-free due to frictional clamp connection.

Brief overloads:

Acceptable up to 1.5 times the value specified.

Tolerance:

On the hub/shaft connection 0.01 to 0.05 mm

Non-standard application:

Custom designs with varied tolerances, keyways, non-standard material and bellows are available upon request.

Model BK H		Series																			
		15		30		60		80		150		200		300		500		800		1500	
Rated torque (Nm)	T _{KN}	15		30		60		80		150		200		300		500		800		1500	
Overall length (mm)	A	59	66	69	77	83	93	94	106	95	107	105	117	111	125	133	146	140	166		
Outer diameter (mm)	B	49		55		66		81		81		90		110		124		134		157	
Fit length (mm)	C	22		27		31		36		36		41		43		51		45		55	
Inner diameter possible from Ø to Ø H7 (mm)	D _{1/2}	8-28		10-30		12-32		14-42		19-42		22-45		24-60		35-60		40-75		50-80	
ISO 4762 fastening screw	E	M5		M6		M8		M10		M10		M12		M12		M16		M16		M20	
Tightening torque of the fastening screw (Nm)		8		15		40		50		70		120		130		200		250		470	
Distance between centers (mm)	F	17		19		23		27		27		31		39		41		48		55	
	G	6.5		7.5		9.5		11		11		12.5		13		16.5		18		22.5	
Distance (mm)	H	29	36	35	43	41	51	47	59	48	60	51	63	55	69	62	75	65.5	71		
Moment of inertia (10 ⁻³ kgm ²)	J _{total}	0.07	0.08	0.14	0.15	0.23	0.26	0.65	0.67	2.5	3.2	4.5	5.4	8.5	10.5	17.3	19.6	24.3	49.2		
Hub material (standard) (steel on request)		Al		Al		Al		Al		steel		steel		steel		steel		steel		steel	
Approx. weight (kg)		0.15		0.3		0.4		0.8		1.7		2.5		4		7.5		7		12	
Torsional stiffness (10 ³ Nm/rad)	C _T	20	15	39	28	76	55	129	85	175	110	191	140	450	350	510	500	780	1304		
axial (mm)	Max. values	1	2	1	2	1.5	2	2	3	2	3	2	3	2.5	3.5	2.5	3.5	3.5	3.5		
lateral (mm)		0.15	0.2	0.2	0.25	0.2	0.25	0.2	0.25	0.2	0.25	0.25	0.3	0.25	0.3	0.3	0.35	0.35	0.35		
axial spring stiffness (N/mm)	C _a	25	15	50	30	72	48	48	32	82	52	90	60	105	71	70	48	100	320		
lateral spring stiffness (N/mm)	C _r	475	137	900	270	1200	420	920	290	1550	435	2040	610	3750	1050	2500	840	2000	3600		

(1Nm ≅ 8.85 in lbs) max. angular misalignment see BK 1