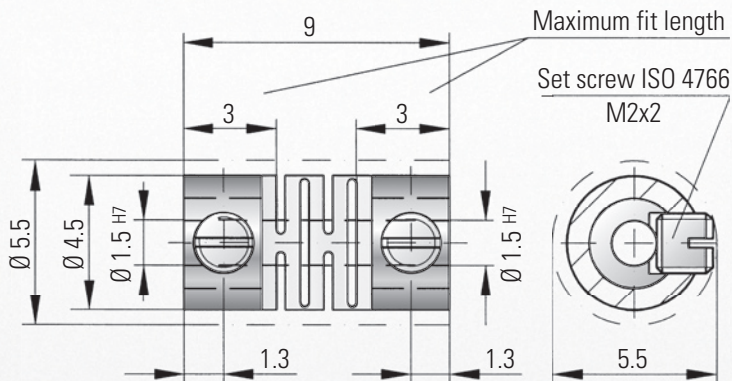


MODEL FK1 001/9

MICROFLEX-COUPLINGS



Order example

FK1 / 001 / 9 / 1,5 / 1,5 / XX

Model

Series / Nm

Overall length

Ø D H7

Ø D H7

Non standard

Technical information

Nominal torque capacity:	1 Ncm
Maximum peak torque capacity:	2 Ncm
Weight:	0.47 g
Moment of inertia:	5.39 g/mm ²
Torsional stiffness:	23 Ncm/rad
Max. lateral misalignment:	0.1 mm
Max. angular misalignment:	1.5°
Max. axial misalignment:	0.2 mm

Material:

Coupling material: Polyamid
Hub material: stainless steel

Temperature range:

Bore diameter: 1.5 mm
Radial clamping is achieved by using a ISO 4766 M2 x 2 set screw.

-50 to + 120° C

Backlash:

Absolutely backlash-free

Brief overloads:

Acceptable up to 1.5 times the value specified.

Service life:

These couplings are maintenance-free if the technical limits are not exceeded.

Speed range:

Up to 10.000 U/min

The extended diameter can be reduced by using a flattened shaft.

A further reduction of the Ø to 4.5 mm can be reached by using a M2x1.5 set screw (Additional Charge)

The information mentioned in this document is based on our present knowledge and experiences and does not exclude the manufacturer's own substantial testing of the equipment. So this is no obligatory assurance even with regard to protection rights of Third Parties. The sale of our products is subject to our General Conditions of Sale and Delivery.