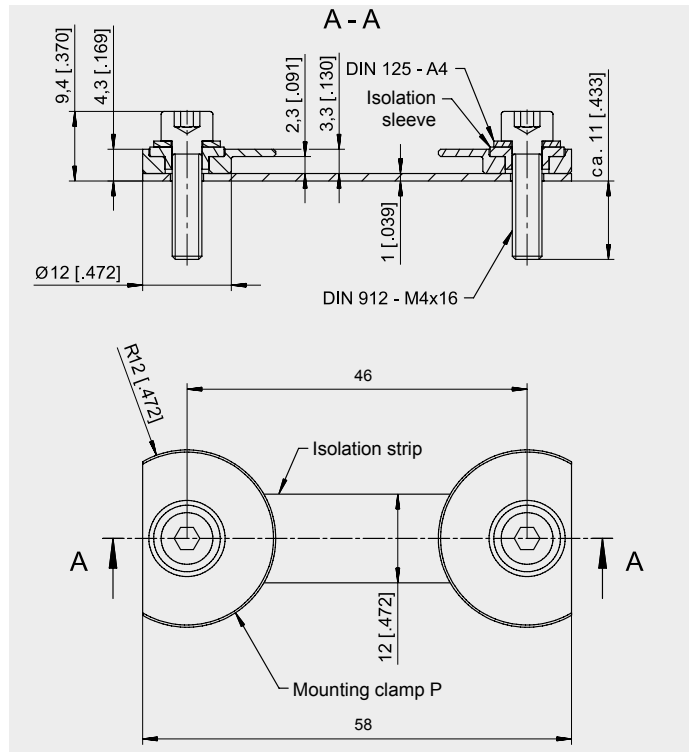
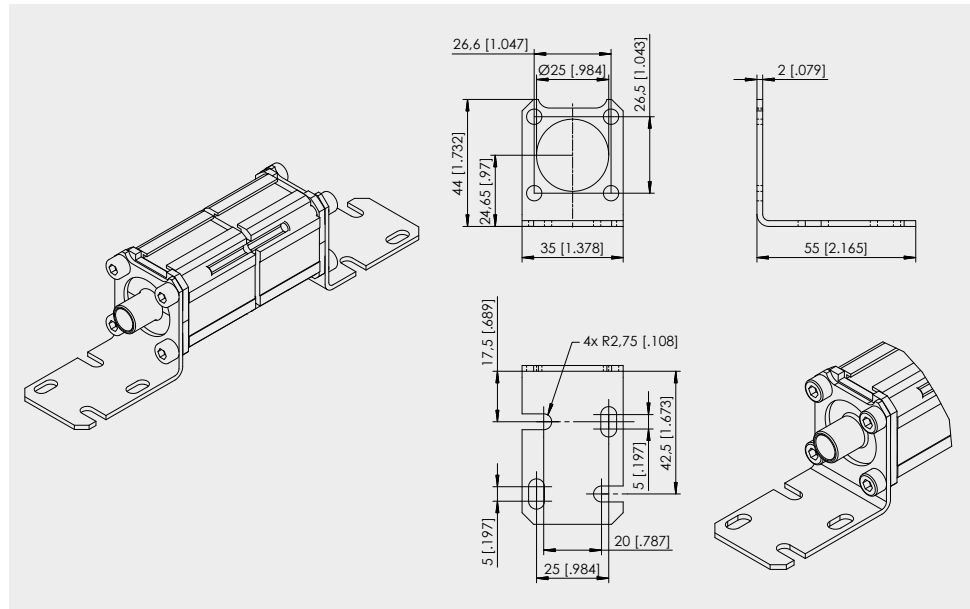


**Mounting set
 PCQA-BFS1 with
 mounting clamps**



**Option -BFW
 Mounting brackets
 for PCQA22 and
 PCQA24**

Note: The option -BFW can only be ordered with a new sensor, not separately!
 Applicable for sensor lengths up to 1000 mm.



Dimensions in mm [inch]

Dimensions informative only.
 For guaranteed dimensions consult factory.

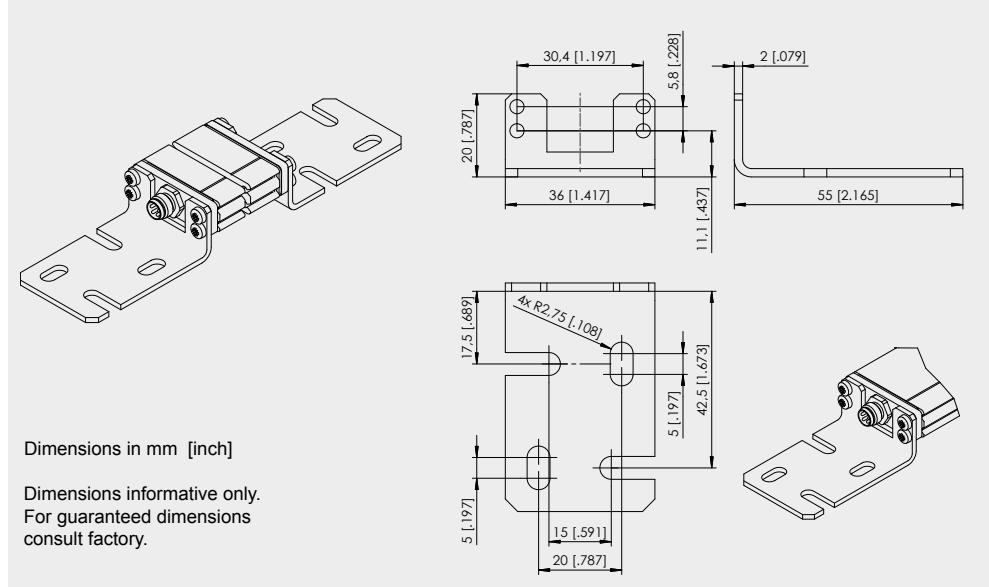
Order example: PCQA24 - 1000 - U2 - P1A - L10 - M12 - BFW

POSICHRON®
PCFP24
 Flat Profile Housing



Option -BFW
 Mounting brackets for
 PCFP23

Note: The option -BFW can only be ordered with a new sensor, not separately!
 Applicable for sensor lengths up to 1000 mm. Not combinable with PCFP23-BFS1.

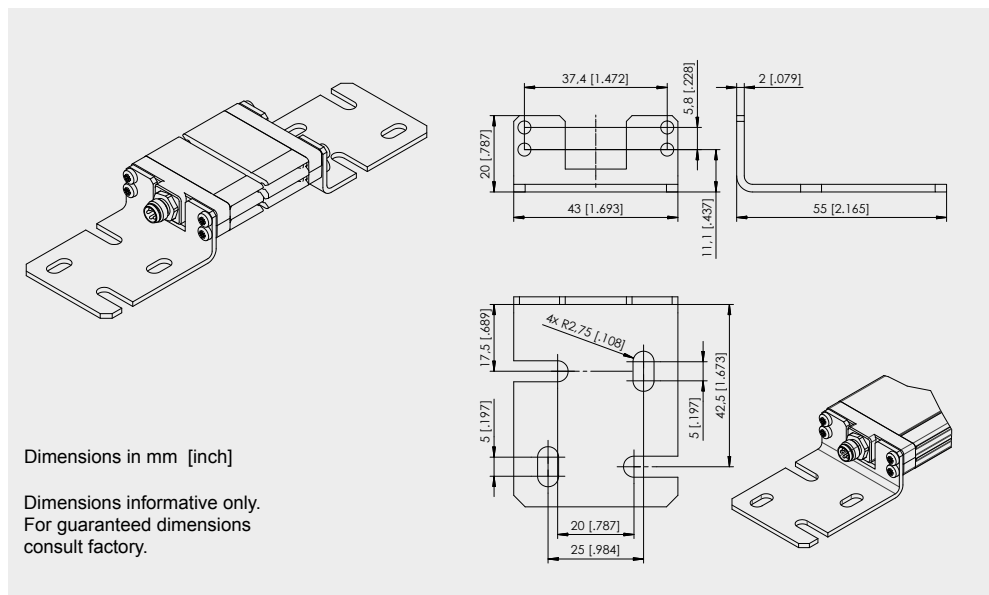


Dimensions in mm [inch]
 Dimensions informative only.
 For guaranteed dimensions
 consult factory.

Order example: PCFP23 - 1000 - STSP - L02 - M8 - BFW

Option -BFW
 Mounting brackets for
 PCFP24

Note: The option -BFW can only be ordered with a new sensor, not separately!
 Applicable for sensor lengths up to 1000 mm. Not combinable with PCFP24-BFS1.

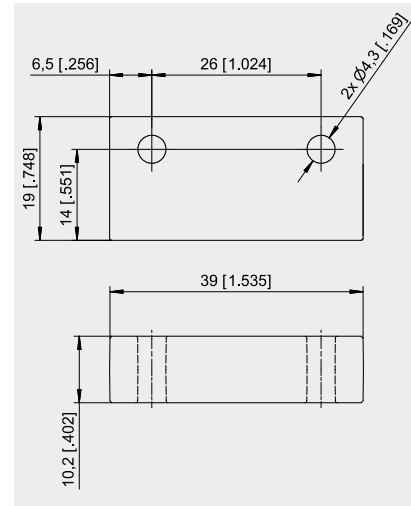
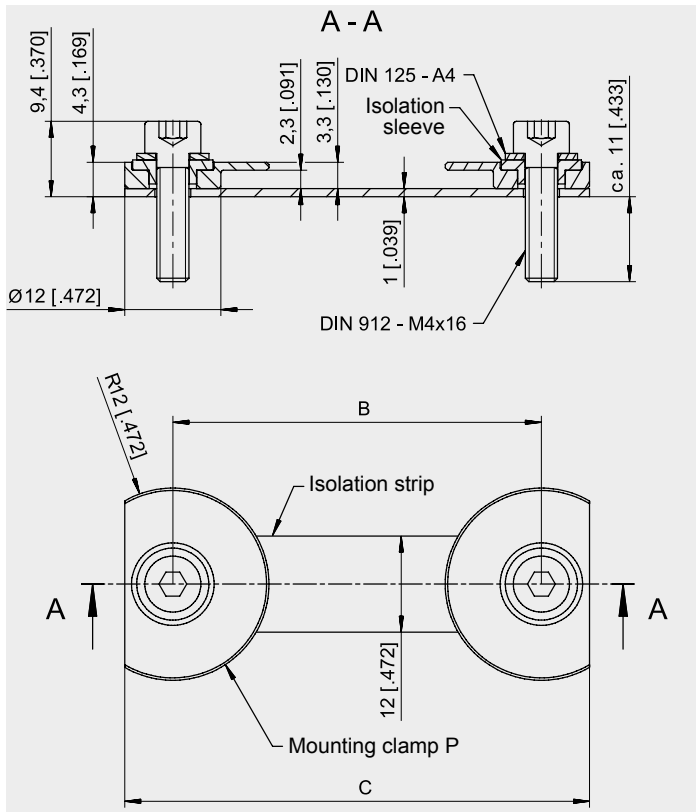


Dimensions in mm [inch]
 Dimensions informative only.
 For guaranteed dimensions
 consult factory.

Order example: PCFP24 - 1000 - STSP - L02 - M8 - BFW

PCFP23-BFS1 and PCFP24-BFS1
Mounting set for PCFP23, PCFP24

PCMAG5
Standard magnet

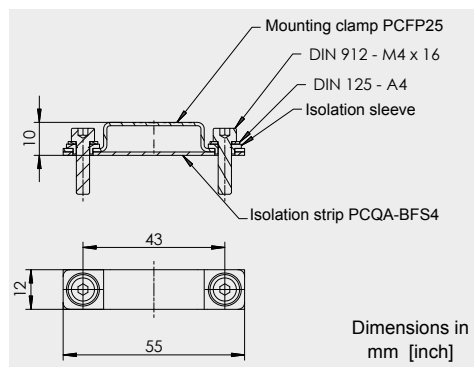


Dimensions in mm [inch]

Dimensions informative only.
For guaranteed dimensions consult factory.

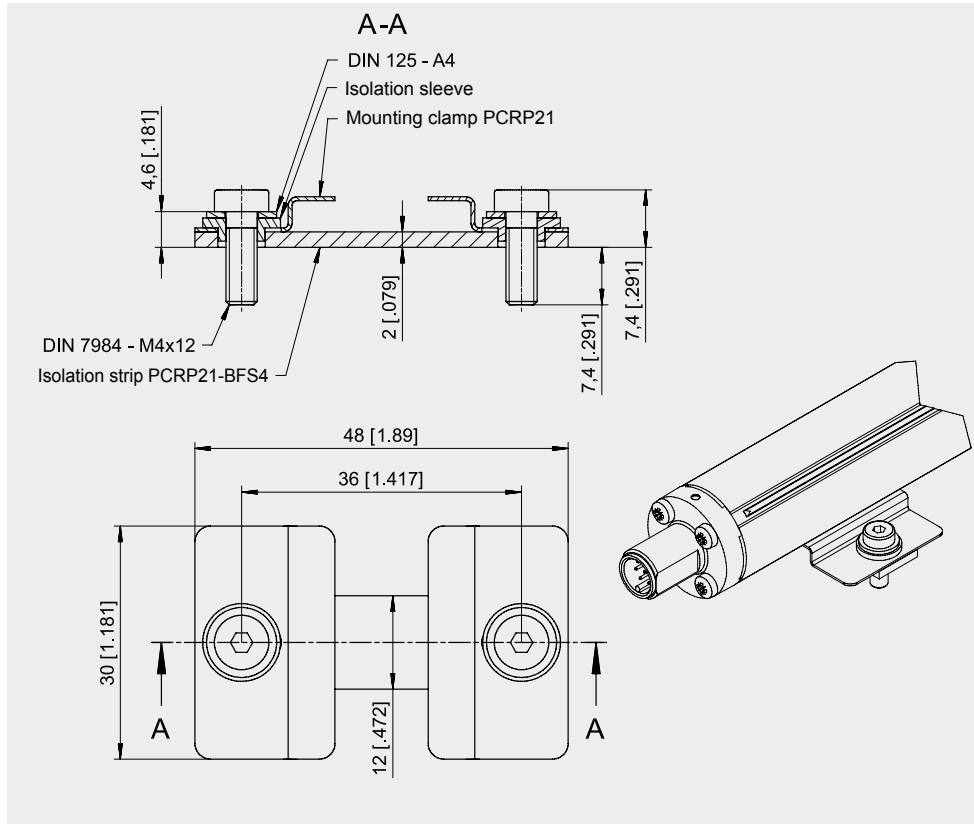
Dimensions BFS1	POSICHRON Model	Dim. B [mm]	Dim. C [mm]
	PCFP23	52	64
PCFP24	59	71	

PCFP25-BFS1
Mounting set for
PCFP25

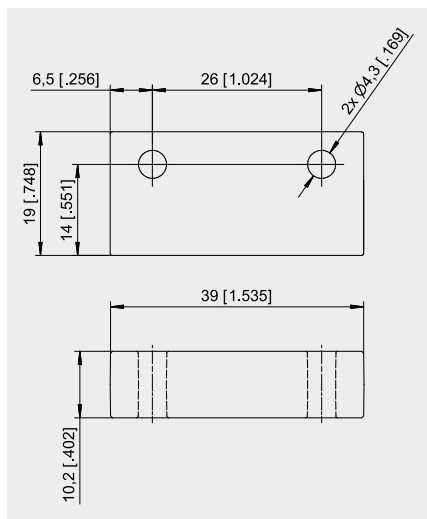


Dimensions in mm [inch]

PCRP21-BFS4
Mounting set for
PCRP21



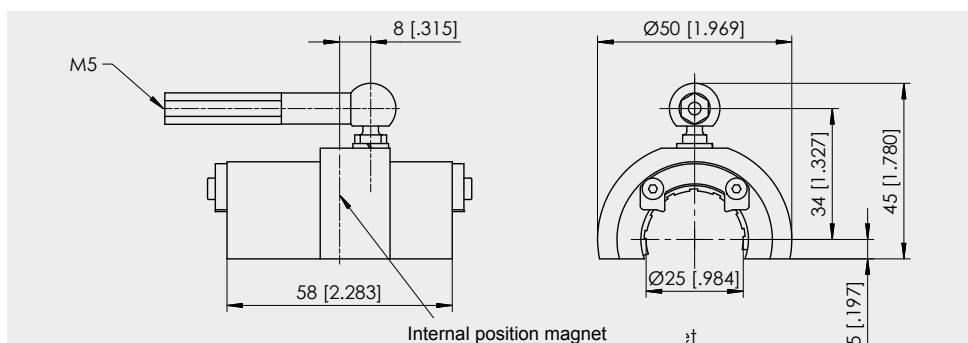
PCMAG5
Standard magnet



Dimensions in mm [inch]

Dimensions informative only.
For guaranteed dimensions consult factory.

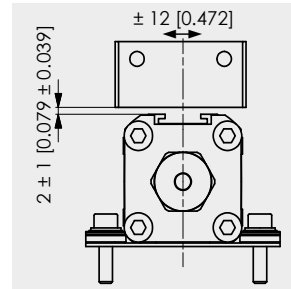
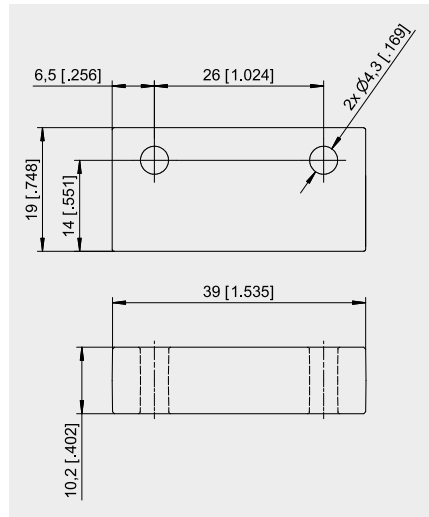
PCRPMAG6
Guided magnet slider
for PCR21 with internal
position magnet



Not to be used for a large number of operation cycles!

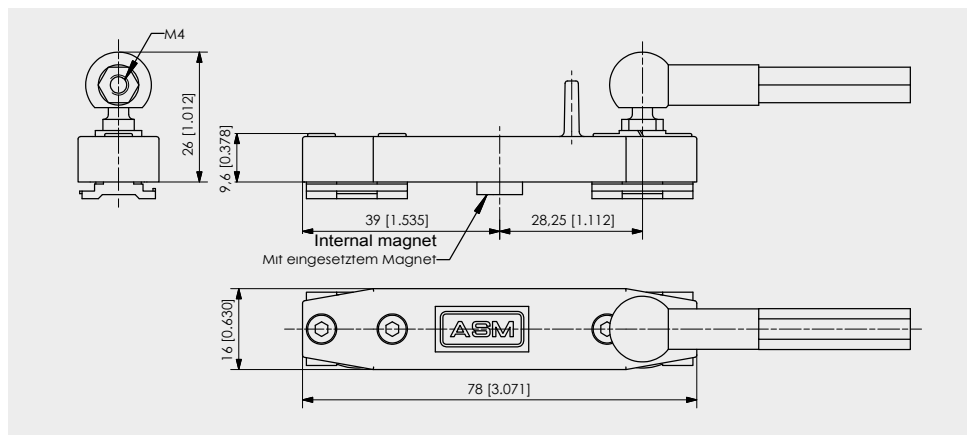
PCMAG5

Standard magnet



PCMAG3

Guided magnet slider with internal position magnet



Dimensions in mm [inch]

Dimensions informative only.
For guaranteed dimensions consult factory.

O-ring sealing (M18)

for:

PCST24-M18...

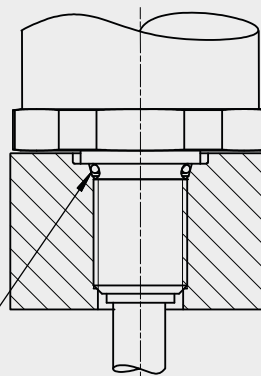
PCST25-M18...

PCST27-M18...

Dimensions in mm [inch]

Dimensions informative only.
For guaranteed dimensions
consult factory.

O-Ring 15,3 x 2,2
[.602 x .087]



Order code O-ring M18

PCST-OR-M18

O-ring sealing (¾ Zoll)

for:

PCST24-Z3/4...

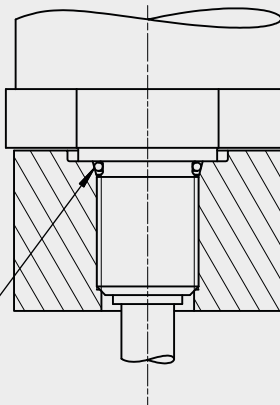
PCST25-Z3/4...

PCST27-Z3/4...

Dimensions in mm [inch]

Dimensions informative only.
For guaranteed dimensions
consult factory.

O-Ring 16,36 x 2,2
[.644 x .087]



Order code O-ring ¾ inch

PCST-OR-Z3/4

O-ring sealing (Plug-in version)

for:

PCST25-SV...

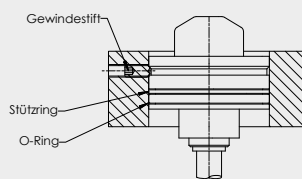
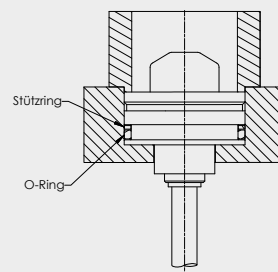
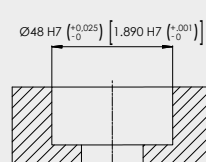
Dimensions in mm [inch]

Dimensions informative only.
For guaranteed dimensions
consult factory.

Example
Beispiel

Ø48 H7 $\left[\begin{smallmatrix} +0,025 \\ -0 \end{smallmatrix} \right]$ [1.890 H7 $\left[\begin{smallmatrix} +.001 \\ -0 \end{smallmatrix} \right)]$

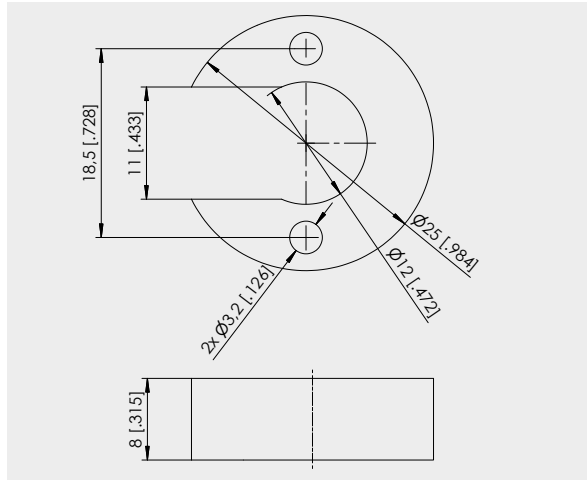
M5



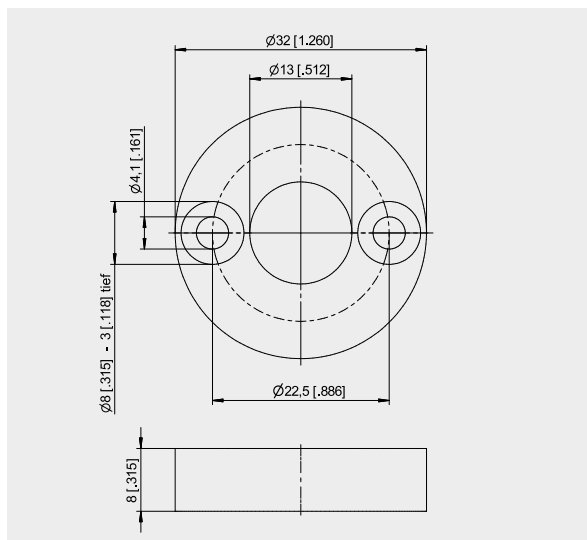
Order code O-ring Plug-in version

PCST-OR-SV

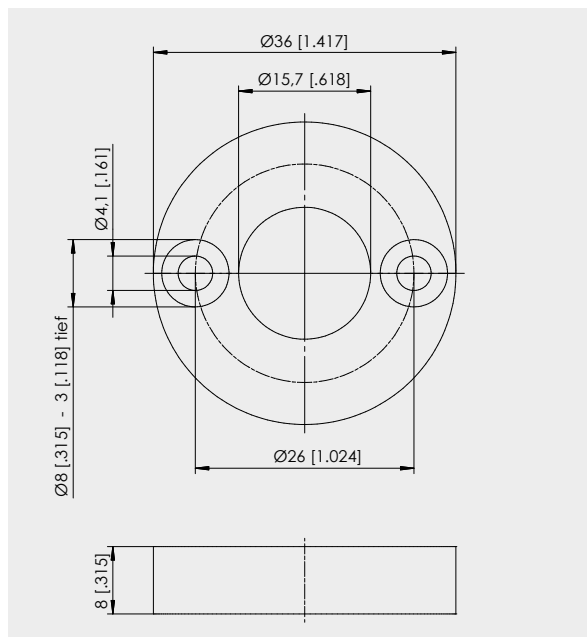
PCSTMAG1



PCSTMAG2
 (standard)



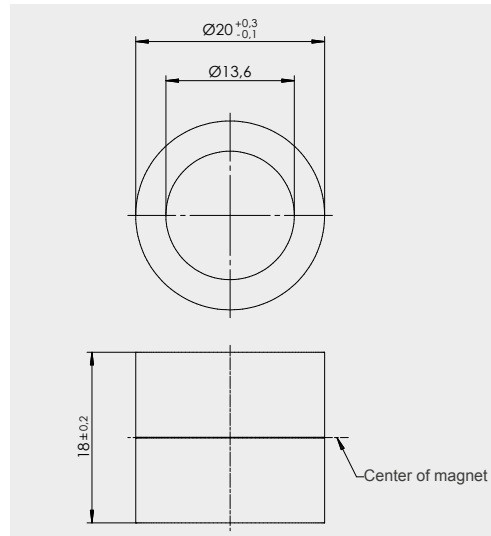
PCSTMAG5



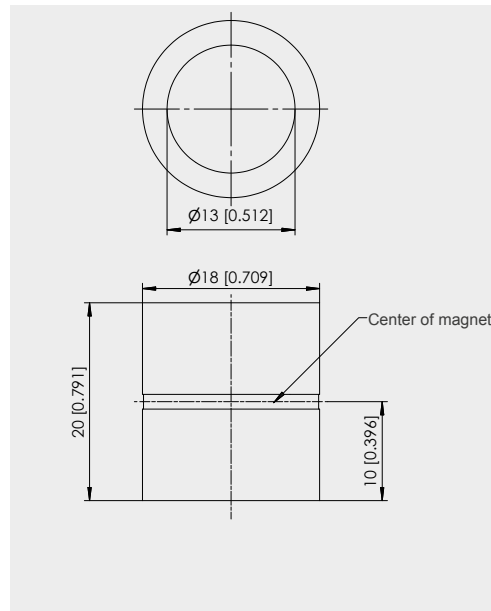
Dimensions in mm [inch]

Dimensions informative only.
 For guaranteed dimensions
 consult factory.
 Other designs can be realized
 on request.

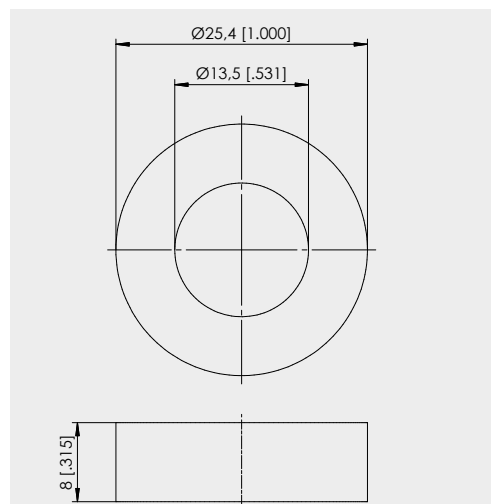
PCSTMAG2-MH1



PCSTMAG2-MH2



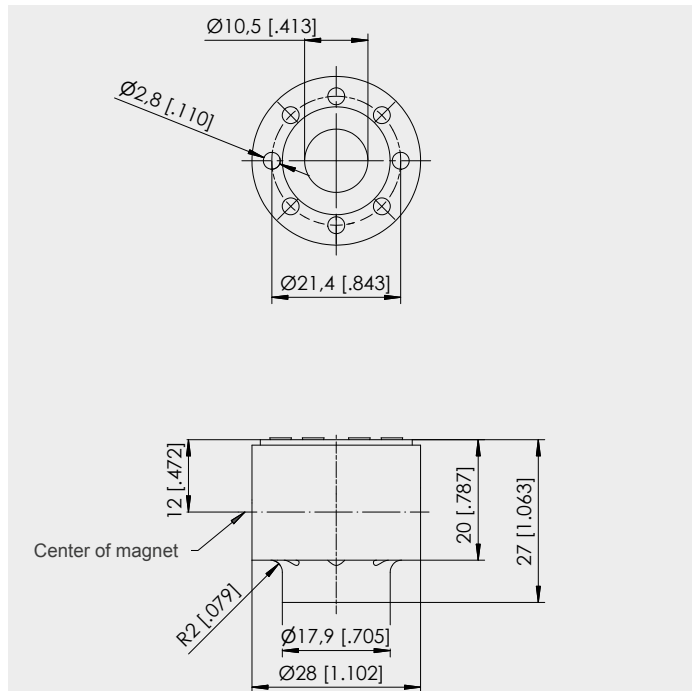
PCSTMAG2-MH3



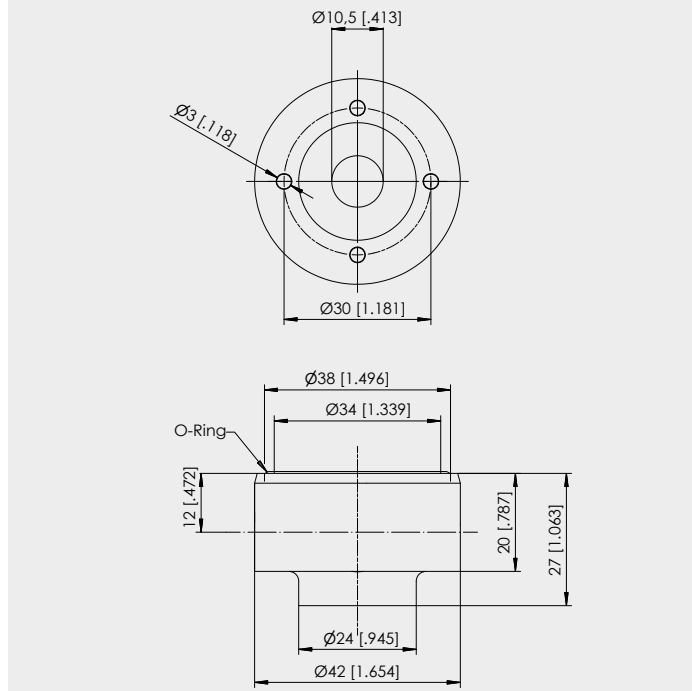
Dimensions in mm [inch]

Dimensions informative only.
For guaranteed dimensions consult factory.
Other designs can be realized on request

PCSTMAG2-G1



PCSTMAG2-G2



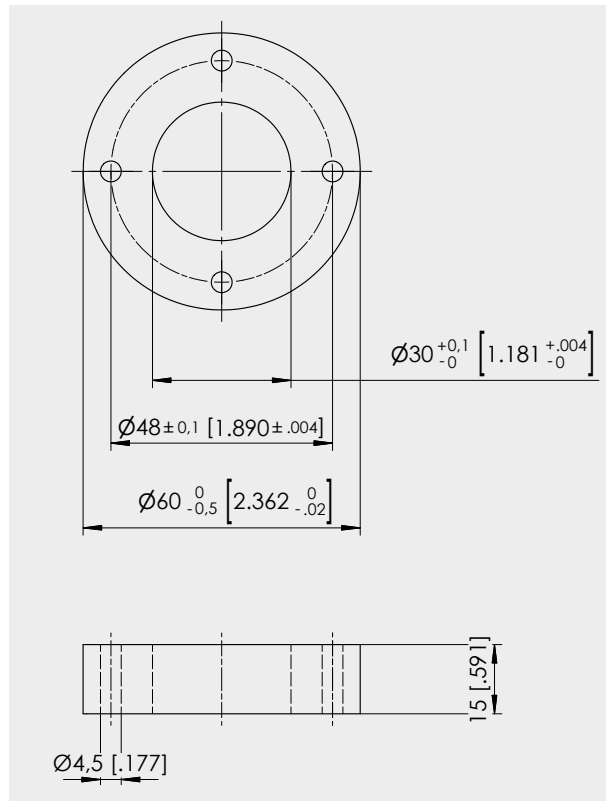
PCSTMAG2 - G1 / G2

Sliding magnet with special self-lubricating and abrasion-resistant material. To be used if sensor is mounted in horizontal position and a mechanical support of the rod is not possible for measurement ranges >1000 mm.

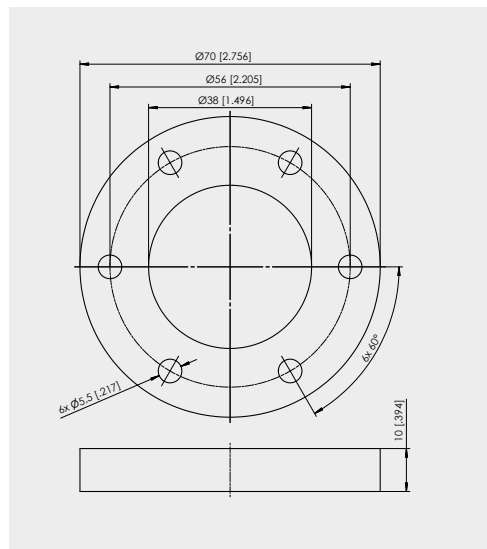
Dimensions in mm [inch]

Dimensions informative only.
For guaranteed dimensions consult factory.
Other designs can be realized on request

PCSTMAG7



PCSTMAG4



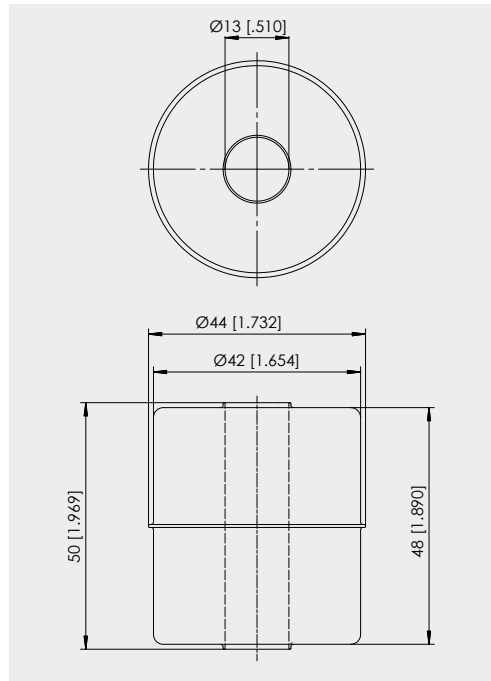
Dimensions in mm [inch]

Dimensions informative only.
For guaranteed dimensions consult factory.
Other designs can be realized on request

PCSTMAG3

(float, continuous pressure up to 9 bar, for media with a specific gravity of $\geq 0,75 \text{ g/cm}^3$)

Material: 1.4404

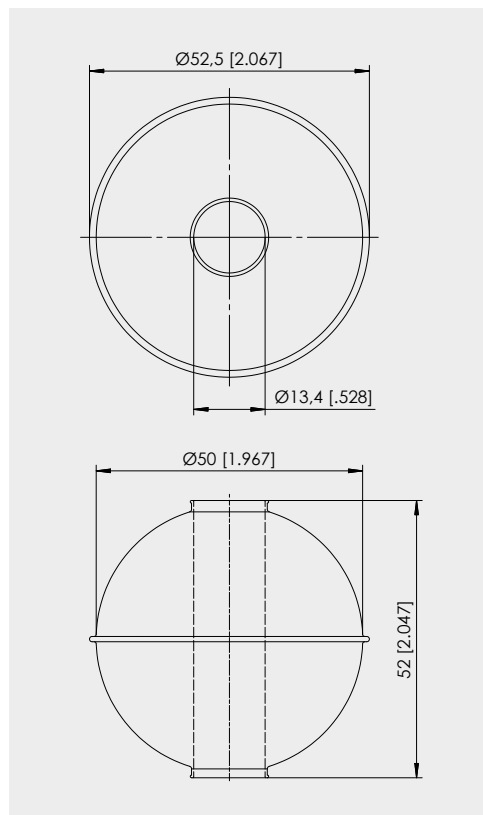


Note: Dependent on the design the available measurement range is reduced of 25 mm on both ends!

PCSTMAG6

(float, continuous pressure up to 30 bar, for media with a specific gravity of $\geq 0,7 \text{ g/cm}^3$)

Material: 1.4571



Note: Dependent on the design the available measurement range is reduced of 25 mm on both ends!

Dimensions in mm [inch]

Dimensions informative only.
 For guaranteed dimensions consult factory.
 Other designs can be realized on request

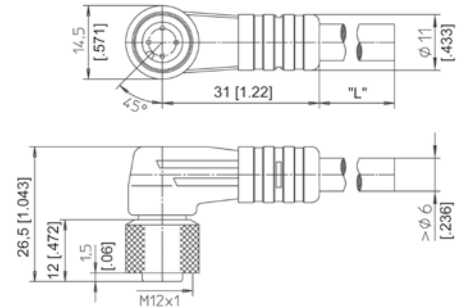
**Connector cable
M12, 5-pin
shielded**

The 5-lead shielded cable is supplied with a mating 5-pin 90° M12 connector at one end and 5 wires at the other end. Available lengths are 2 m, 5 m and 10 m. Wire: cross sectional area 0.34 mm².

Order code:

KAB - XM - M12/5F/W - LITZE
IP69K: KAB - XM - M12/5F/W/69K - LITZE

Length in m



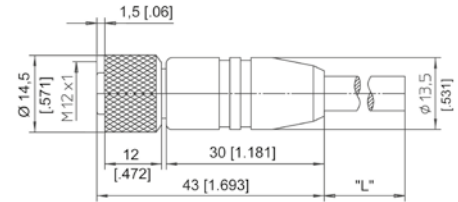
**Connector cable
M12, 5-pin
shielded**

The 5-lead shielded cable is supplied with a mating 5-pin M12 connector at one end and 5 wires at the other end. Available lengths are 2 m, 5 m and 10 m. Wire: cross sectional area 0.34 mm².

Order code:

KAB - XM - M12/5F/G - LITZE
IP69K: KAB - XM - M12/5F/G/69K - LITZE

Length in m



Signal wiring M12, 5-pin	Plug connection / Cable connection				
	1	2	3	4	5
	brown	white	blue	black	grey

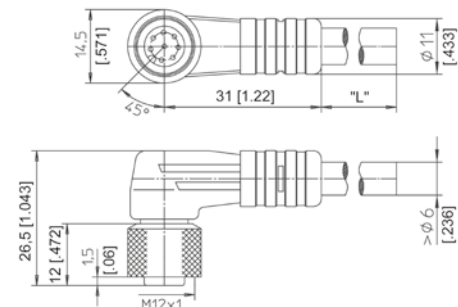
**Connector cable
M12, 8-pin
shielded**

The 8-lead shielded cable is supplied with a mating 8-pin 90° M12 connector at one end and 8 wires at the other end. Available lengths are 2, 5 and 10 m. Wire: cross sectional area 0.25 mm².

Order code:

KAB - XM - M12/8F/W - LITZE
IP69K: KAB - XM - M12/8F/W/69K - LITZE

Length in m



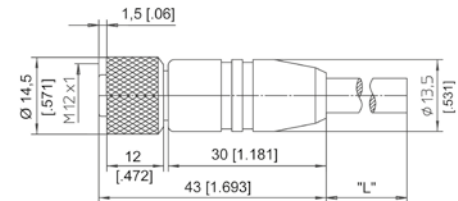
**Connector cable
M12, 8-pin
shielded**

The 8-lead shielded cable is supplied with a mating 8-pin M12 connector at one end and 8 wires at the other end. Available lengths are 2, 5 and 10 m. Wire: cross sectional area 0.25 mm².

Order code:

KAB - XM - M12/8F/G - LITZE
IP69K: KAB - XM - M12/8F/G/69K - LITZE

Length in m



Signal wiring M12, 8-pin	Plug connection / Cable connection							
	1	2	3	4	5	6	7	8
	white	brown	green	yellow	grey	pink	blue	red

Connector cable
M8, 4-pin
shielded

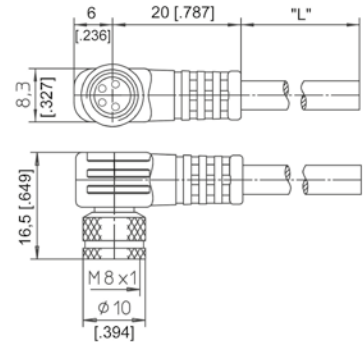
The 4-lead shielded cable is supplied with a mating 4-pin 90° M8 connector at one end and 4 wires at the other end. Available lengths are 2, 5 and 10 m. Wire: cross sectional area 0.14 mm².

Order code:

KAB - XM - M8/4F/W - LITZE

IP69K: KAB - XM - M8/4F/W/69K - LITZE

Length in m



Connector cable
M8, 4-pin
shielded

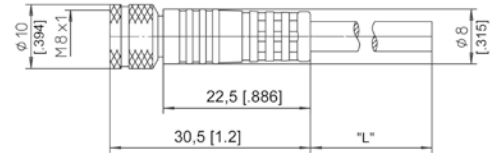
The 4-lead shielded cable is supplied with a mating 4-pin M8 connector at one end and 4 wires at the other end. Available lengths are 2, 5 and 10 m. Wire: cross sectional area 0.14 mm².

Order code:

KAB - XM - M8/4F/G - LITZE

IP69K: KAB - XM - M8/4F/G/69K - LITZE

Length in m



Signal wiring M8, 4-pin	Plug connection / Cable connection			
	1	2	3	4
	brown	white	blue	black

Connector/bus cable
M12, 5-pin
CAN bus
shielded

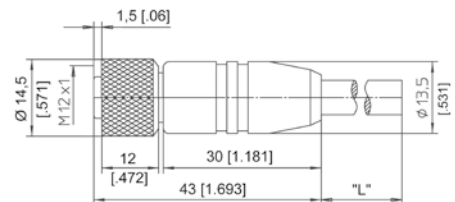
The 5-lead shielded cable is supplied with a female 5-pin M12 connector at one end and a male 5-pin M12 connector at the other end. Available lengths are 0.3 m, 2 m, 5 m and 10 m.

Order code:

KAB - XM - M12/5F/G - M12/5M/G - CAN

IP69K: KAB - XM - M12/5F/G/69K - M12/5M/G/69K - CAN

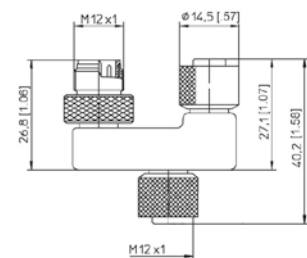
Length in m



T-piece for bus cable
M12, 5-pin
CAN bus

Order code:

KAB - TCONN - M12/5M - 2M12/5F - CAN



Terminating
resistance
M12, 5-pin
CAN bus

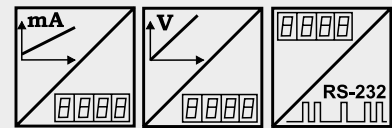
Order code:

KAB - RTERM - M12/5M/G - CAN





- For POSICHRON® position sensors with analog Output:
Voltage 0 ... 10 V
Current 0 ... 20 mA
- Integrated sensor supply
- 6-digit LED display
- RS-232 interface
- Optional 4 comparator Output
- Easy programming



Description

PRODIS-ADC is designed for use with analog position sensors to display angles and displacements. A high resolution A/D converter processes signals from sensors with voltage or current output.

The meter is programmable to display values within preset start/end range or values in units as inches, mm or degrees. A tare function or programming lock can be activated with two control terminals.

Sensor excitation is supplied by the meter. With four membrane keys all parameters can be programmed for the special applications. Optional comparator functions with 4 NPN open-collector Output are available, additional 2 of them have relay output.

Specification	Display	6-digit, 7-segment LED, height 14 mm, decimal point programmable
	Counting rate	1 ... 25/s programmable
	Measurement accuracy	±0.05 % f.s.
	Excitation voltage/current	24 V DC ±10%/150 mA, residual ripple 1% _{pp} ; 85-250 V AC, 50-60 Hz/180 mA max.
	Sensor excitation	24 V DC/300 mA; voltage divider 5 V/10 mA
	Input	Two channels, each for: Voltage 0 ... 10V; max. 24V Current 0 ... 20 mA, load 100 Ω, I _{max} <30 mA One input or the difference between both inputs can be chosen by programming
	Control input	2 control inputs 24 V, active low
	Comparator Output (option)	Relay NPN 250 V AC/5 A, 30 V DC/5 A 24 V max./50 mA to GND
	Connection	Terminal strip 12 pole, excitation 3 pole
	Temperature coefficient	±20 x 10 ⁻⁶ / °C
	Operating temperature	-10...+40 °C
	Storage temperature	-20...+85 °C
	Weight	24 V DC: approx. 250 g; 230 V AC: approx. 400 g

Order Code PRODIS-ADC

Model Name

Excitation Voltage

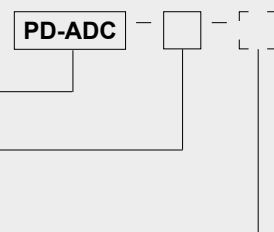
24VDC = 24 V DC

230VAC = 85...250 V AC

Options

REL2 = Comparator

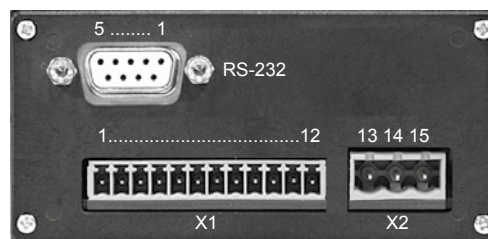
DT = Desktop version



Order example: PD - ADC - 24VDC - REL2

Specifications (continuation)	Weight	24 V DC: approx. 250 g; 230 V AC: approx. 400 g	
	Protection class	Front IP60, rear IP40	
	Humidity	Max. 80 % R. H., non condensing	
	Safety of equipment	Directive 2006/95/EWG:	DIN EN61010-1:2010
	Electromagnetic compatibility, EMC	Directive 2004/108/EWG:	DIN EN61326-1:2013
Programmable parameters / value range	Value range offset, liwith values	-999999 to +999999	
	Divisor, multiplier	0 to 999999	
	Other programmable parameters	Decimal point position, display brightness	
	Control input terminals	Key lock, display value hold, tare function	
Wiring basic unit	Signals	Connector X1 pin no.	Connector X2 pin no.
	Sensor excitation +U _B 24 V	1	
	Sensor excitation 0 V (GND)	2	
	Control input terminal 1: tare function	3	
	Control input terminal 2: programming lock	4	
	Voltage input terminal 0 ... 10 V, channel 1	5	
	Voltage input terminal 0 ... 10 V, channel 2	6	
	Current input terminal 0 ... 20 mA, channel 1	7	
	Current input terminal 0 ... 20 mA, channel 2	8	
	Voltage divider input terminal, channel 1	9	
	Voltage divider input terminal, channel 2	10	
	Reference voltage 5 V for voltage divider	11	
	GND	12	
	PD-ADC-24VDC Excitation +24 V		13
	Excitation 0 V (GND)		14
	PD-ADC-230VAC Excitation		13, 15
	Protective ground		14

Rear view without comparator Output

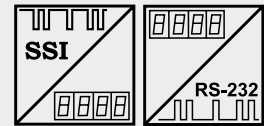


RS-232 interface	Level	RS-232: ±8 V, galvanically isolated	
	Data format	1 start bit, 8 data bits, 1 stop bit, no parity	
	Transmission rate	9600 Baud	
	Signals	Connector X3, Pin No.	D-Sub, Pin No.
	TxD	17	2
RxD	16	3	
GND	18	5	

For rear view with comparator Output and outline drawings see pages 88 and 89.



- For POSICHRON® position sensors with SSI output
- Integrated sensor supply
- 6-digit LED display
- RS-232 interface
- Easy programming



Description

PRODIS®-SSI is designed for use with SSI position sensors to display angle and displacement. Via the CLOCK lines, a sequence of pulses will be transmitted, the input DATA lines will read the sensor's serial bit sequence. The meter is programmable to display values within preset start/end range or values in units as inches, mm or degrees. A tare function or programming lock can be activated with two control terminals. Sensor excitation is supplied by the meter. With four membrane keys, all parameters can be programmed for the special applications.

Specifications	Display	6-digit, 7-segment LED, 14 mm high, decimal point programmable
	Sampling rate	100/s
	Excitation voltage/current	24 V DC ±10%/150 mA, residual ripple 1% _{pp} ; 85-250 V AC, 50-60 Hz/180 mA max.
	Sensor excitation	24 V DC/300 mA or 5 V DC/800 mA
	Inputs	DATA, $\overline{\text{DATA}}$ (RS422)
	Output	CLOCK, $\overline{\text{CLOCK}}$ (RS422)
	Control inputs	2 control inputs 24 V, active low
	Connection	Terminal strip 12-pole, excitation 3-pole
	Operating temperature	-10 ... +40 °C
	Storage temperature	-20 ... +85 °C
	Weight	24 V DC: approx. 250 g; 230 V AC: approx. 400 g

Order Code PRODIS-SSI

Model name

Excitation Voltage

24VDC = 24 V DC

230VAC = 85...250 V AC

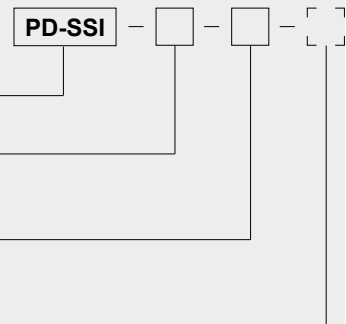
Sensor Excitation

G24V = 24 V DC

G5V = 5 V DC

Options

DT = Desktop version



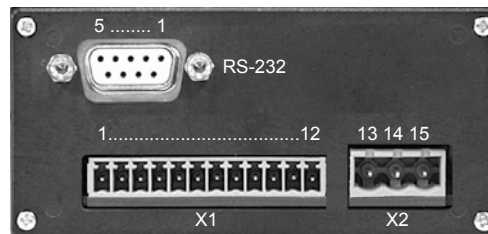
Order example: PD - SSI - 230VAC - G24V

Specifications (continuation)	Protection class	Front IP60, back IP40
	Humidity	Max. 80 % r.h., non condensing
	Safety of equipment	Directive 2006/95/EWG: DIN EN61010-1:2010
	Electromagnetic compatibility, EMC	Directive 2004/108/EWG: DIN EN61326-1:2006

Programmable Parameters / Value range	Value range offset	-999999 to +999999
	Divisor, multiplier	0 to 999999
	Other programmable parameters	Decimal point position, display brightness
	Programmable SSI parameters	Gray/dual code, sign, sampling rate, data format
	Control inputs	Key lock, display value hold, tare function

Wiring basic unit	Signals	Connector X1 pin no.	Connector X2 pin no.
		Sensor excitation +U _B (24 V or 5 V)	1
	Sensor excitation 0 V (GND)	2	
	Control input 1: tare function	3	
	Control input 2: programming lock	4	
	Not used	5 / 6	
	Output C <small>LOCK</small>	7	
	Output C <small>LOCK</small>	8	
	Input DATA	9	
	Input DATA	10	
	Do not connect!	11	
	GND	12	
	PD-SSI-24VDC		
	Excitation +24 V		13
	Excitation 0 V (GND)		14
	PD-SSI-230VAC		
	Excitation		13, 15
	Protective ground		14

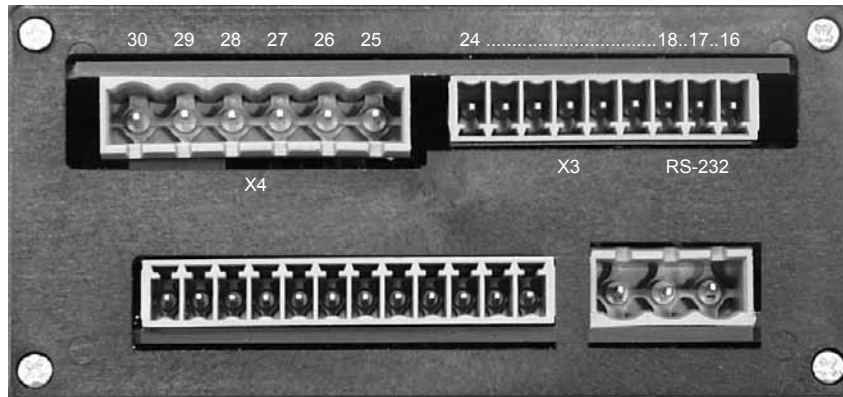
Rear view without comparator Output



RS-232 interface	Level	RS-232: ±8 V, galvanically isolated	
	Data format	1 start bit, 8 data bits, 1 stop bit, no parity	
	Transmission rate	4800 / 9600 / 19200 / 115200 Baud	
	Signals	Connector X3, pin no.	D-Sub, pin no.
	TxD	17	2
RxD	16	3	
GND	18	5	

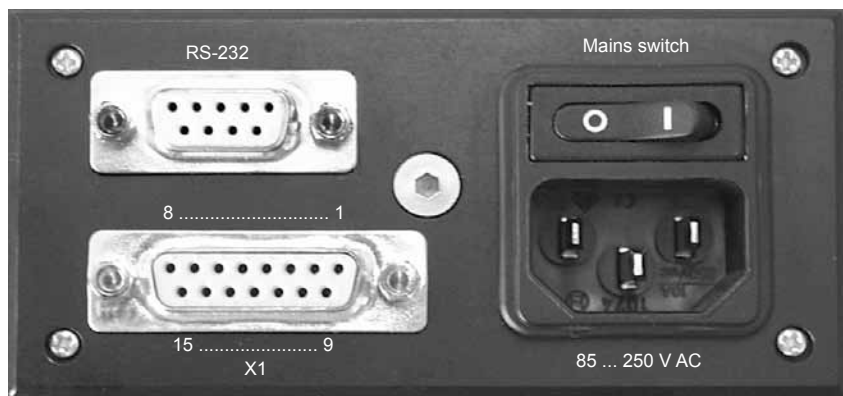
Outline drawings see the following pages.

Rear view with comparator Output



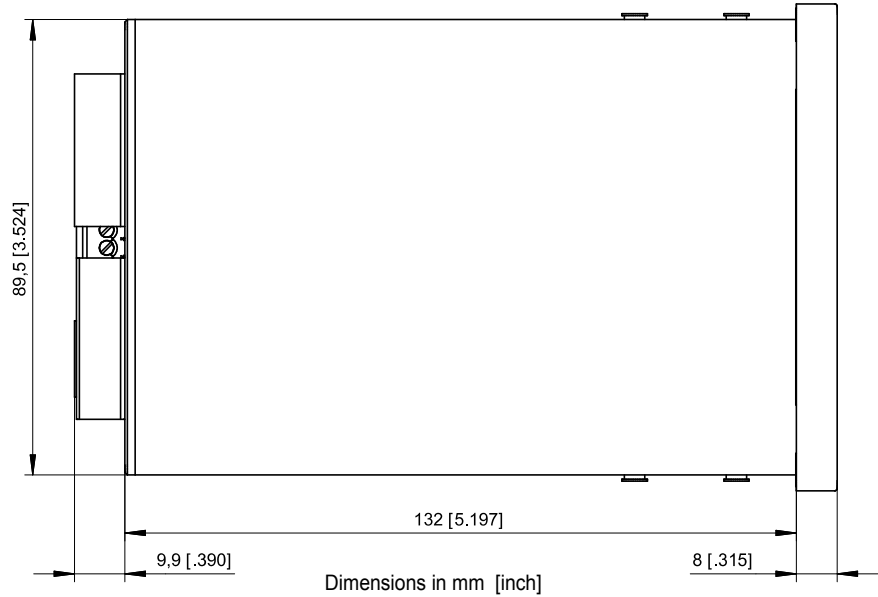
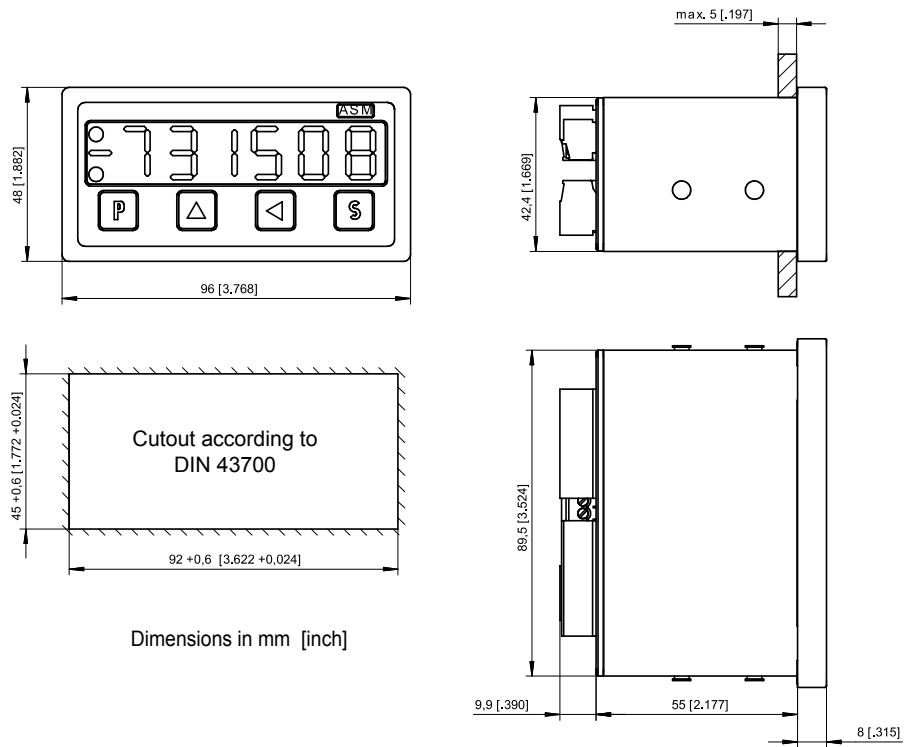
Comparator function (option)	Comparator	Comparator output			
	NPN Collector	Connector X3 pin no.	Relay	Connector X4 pin no.	LED
Comparator 1	NPN1	20	Relay 1	25	LED1
			NO		
Comparator 2	NPN2	21	Relay 2	28	LED2
			NO		
Comparator 3	NPN3	22			
Comparator 4	NPN4	23			
	NPN GND	24			
	NPN U _B (+24V)	19			

Desktop version (option)



Wiring of connector X1 see table at page 85 (PD-ADC) resp. page 87 (PD-SSI).

Outline drawing



PD-XXX-230VAC

Dimensions informative only.
For guaranteed dimensions consult factory.